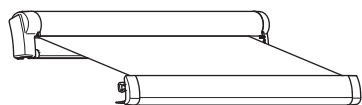


# ↗ DOMETIC AWNINGS PERFECTWALL

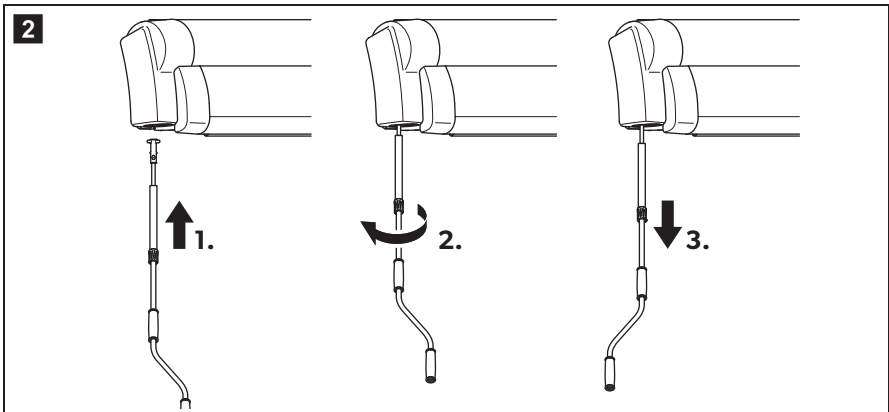
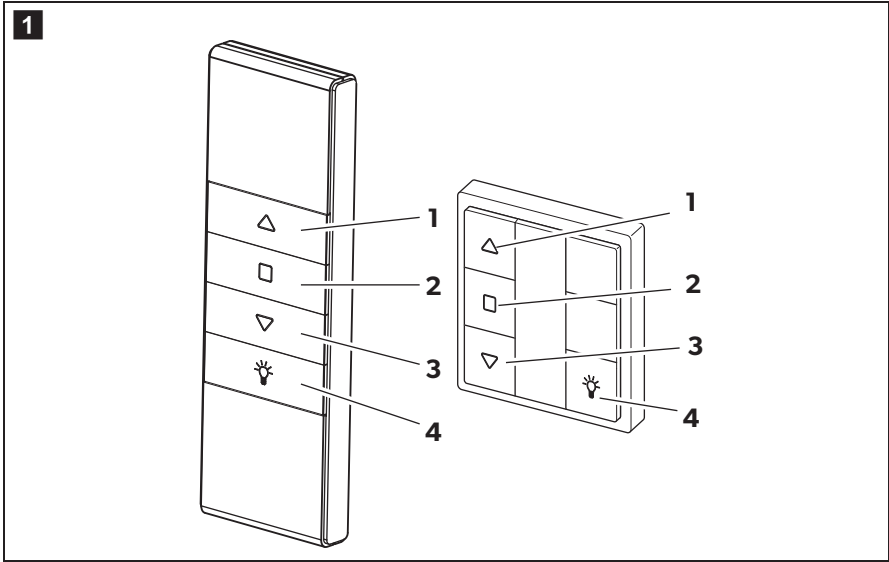


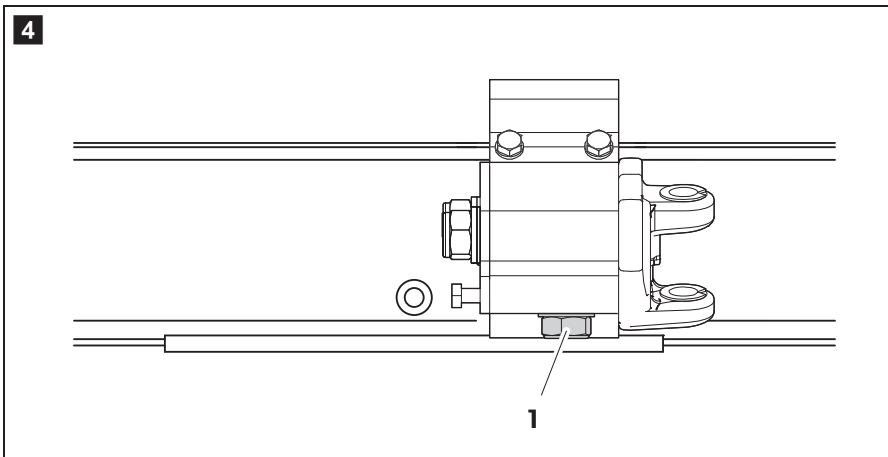
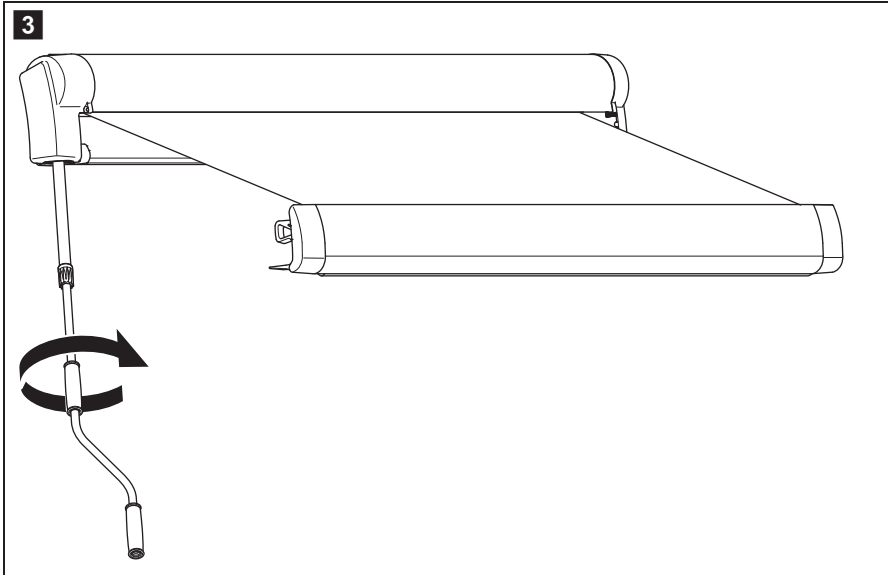
## PW3800

<b>EN</b>	<b>Awning</b> Operating manual .....	9
<b>DE</b>	<b>Markise</b> Bedienungsanleitung .....	23
<b>FR</b>	<b>Store extérieuru</b> Notice d'utilisation .....	38
<b>ES</b>	<b>Toldo</b> Instrucciones de uso .....	53
<b>PT</b>	<b>Toldo</b> Manual de instruções .....	68
<b>IT</b>	<b>Tenda da sole</b> Istruzioni per l'uso .....	83
<b>NL</b>	<b>Zonnescherm</b> Gebruiksaanwijzing .....	98
<b>DA</b>	<b>Markise</b> Betjeningsvejledning .....	113
<b>SV</b>	<b>Markis</b> Bruksanvisning .....	127
<b>NO</b>	<b>Markise</b> Bruksanvisning .....	141

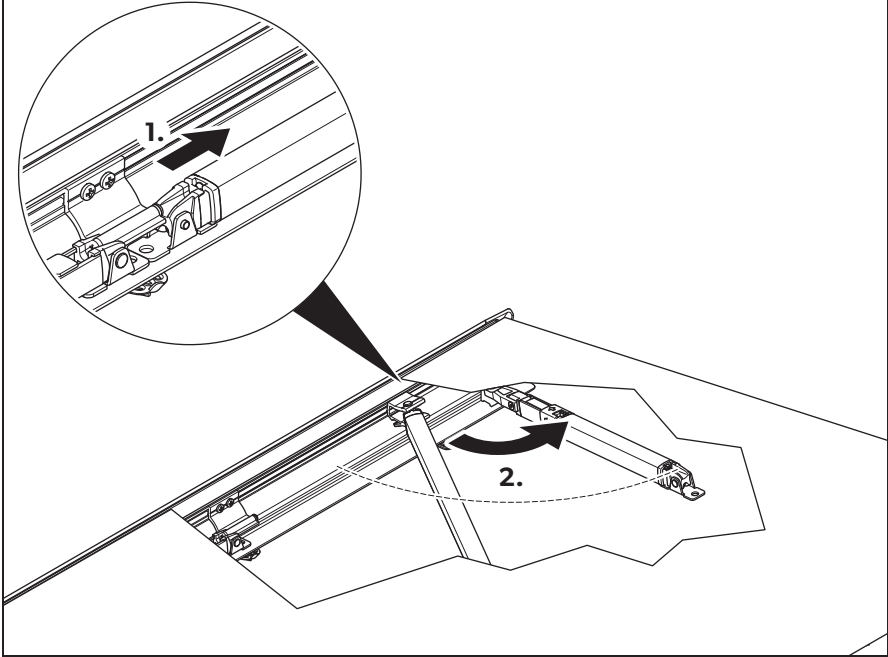
<b>FI</b>	<b>Markiisi</b> Käyttöohje .....	155
<b>RU</b>	<b>Синусоидальный инвертор</b> Инструкция по эксплуатации .....	169
<b>PL</b>	<b>Markiza</b> Instrukcja obsługi .....	184
<b>CS</b>	<b>Markýza</b> Návod k obsluze .....	199
<b>SL</b>	<b>Markiza</b> Navodilo za uporabo .....	213
<b>EL</b>	<b>Τέντα</b> Οδηγίες χειρισμού .....	227



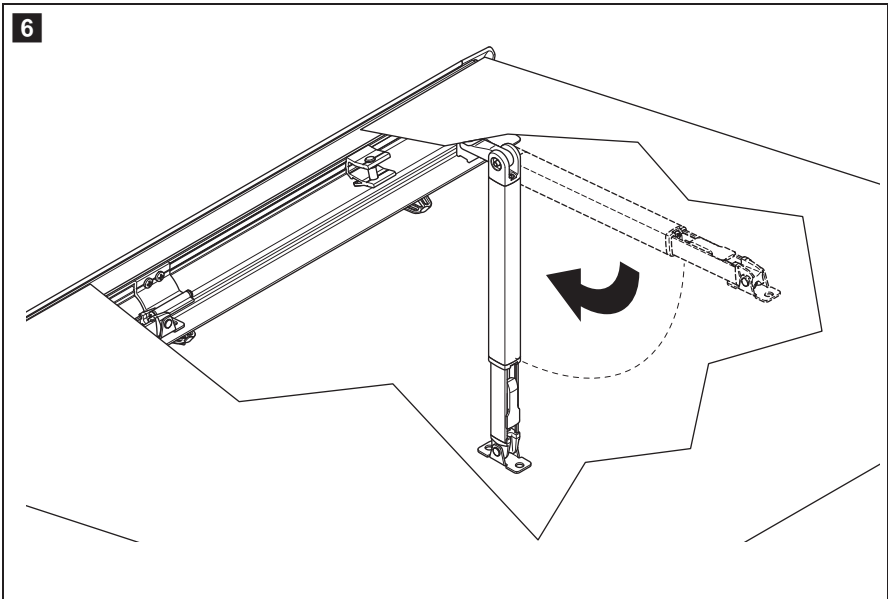


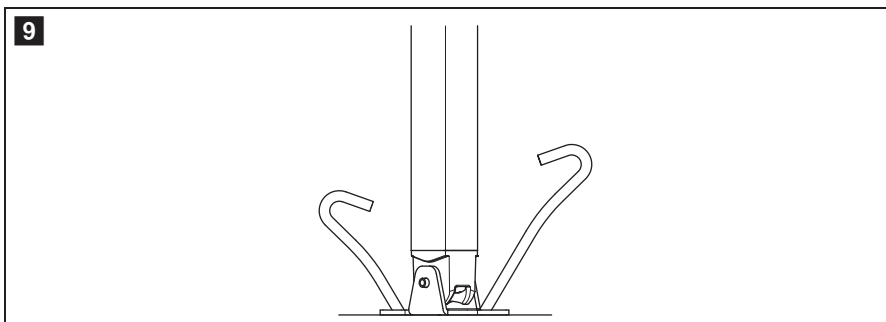
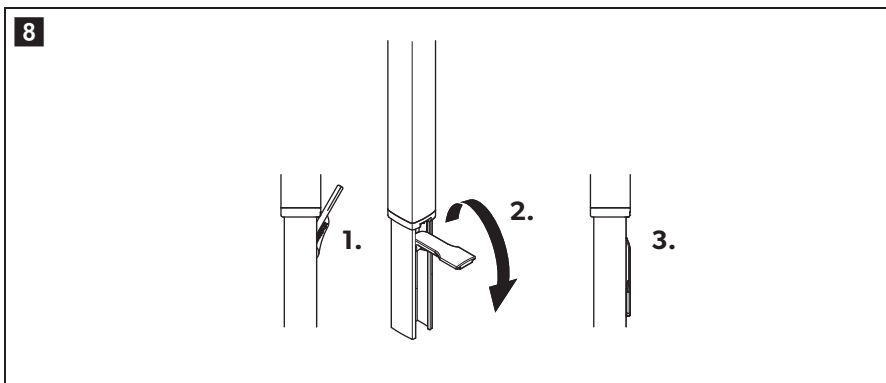
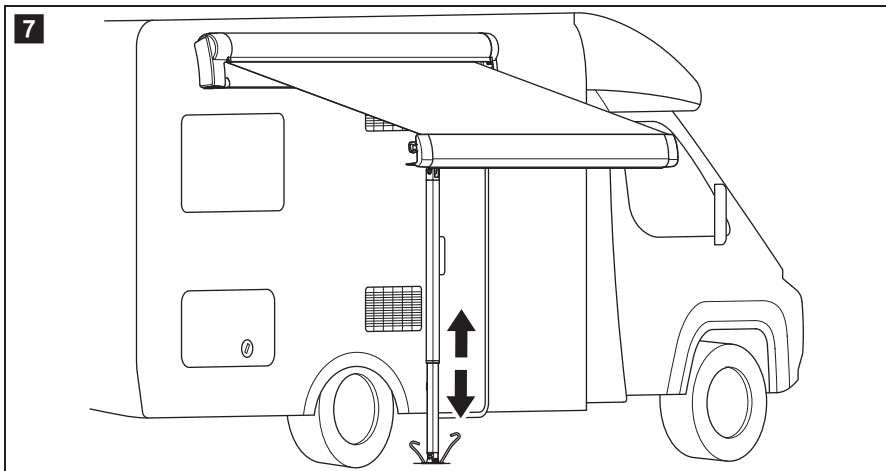


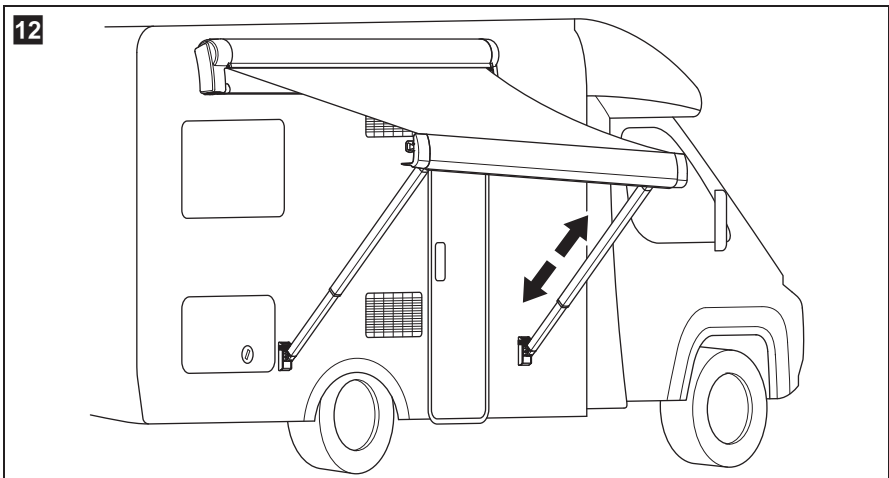
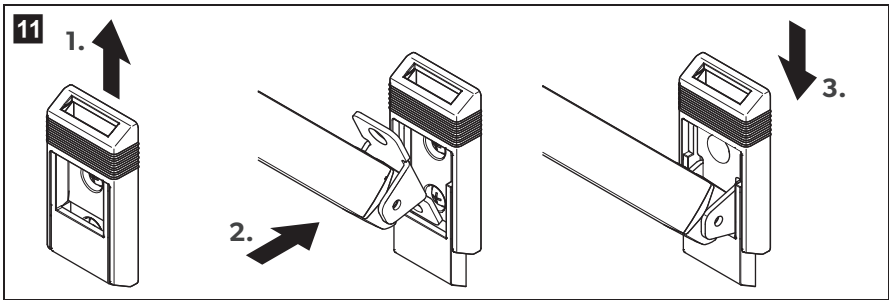
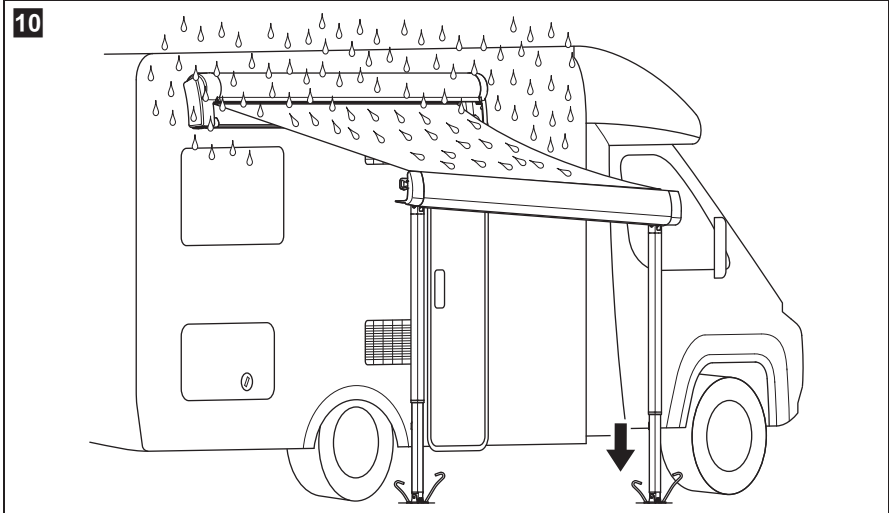
**5**

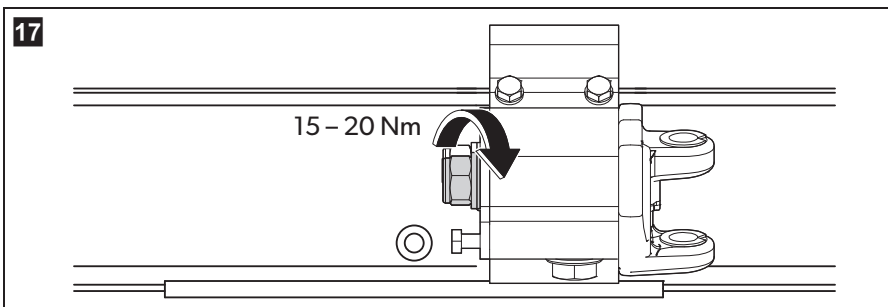
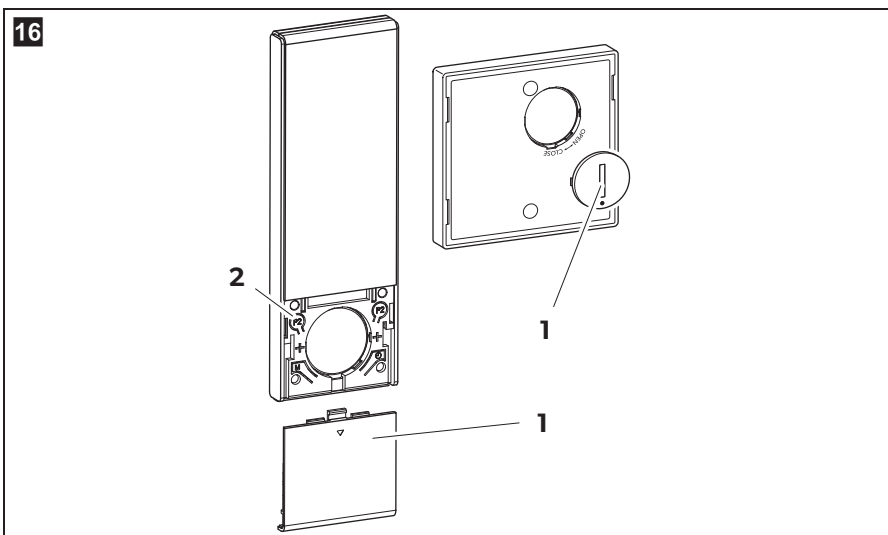
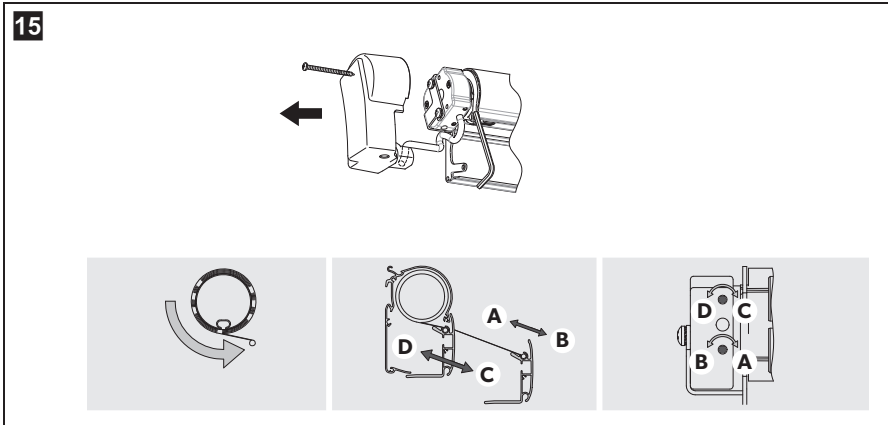


**6**













**WARNING!**

- This operating manual must be read and understood before the device is operated, cleaned or serviced.
- This product must be mounted by a specialist. Improper assembly can lead to serious injury. Alterations to the product can be extremely dangerous and lead to serious injury or damage to the device.
- Keep this instruction manual with the product. The owner must read it carefully.

## Table of contents

1	Notes on using the instruction manual . . . . .	10
2	Safety instructions . . . . .	10
3	Scope of delivery . . . . .	12
4	Accessories . . . . .	13
5	Intended use . . . . .	13
6	Technical description . . . . .	13
7	Operating the awning . . . . .	14
8	Cleaning and maintenance . . . . .	19
9	Troubleshooting . . . . .	21
10	Warranty . . . . .	21
11	Disposal . . . . .	22
12	Technical data . . . . .	22

# 1 Notes on using the instruction manual

**WARNING!**

**Safety instruction:** Failure to observe this instruction can cause fatal or serious injury.

**NOTICE!**

Failure to observe this instruction can cause material damage and impair the function of the product.

**NOTE**

Supplementary information for operating the product.

## 2 Safety instructions

**Please observe the prescribed safety instructions and stipulations from the vehicle manufacturer and service workshops.**

The manufacturer accepts no liability for damage in the following cases:

- Damage to the product resulting from mechanical influences and excess voltage
- Alterations to the product without express permission from the manufacturer
- Use for purposes other than those described in the operating manual

**Please note the following warnings:**

**WARNING!**

- Before starting your journey, check that the awning is fully retracted. Never move the vehicle when the awning is open.
- Never drive with the crank inserted. Remove the crank before starting your journey.
- Do not drive the vehicle if the fabric is damaged or torn, even if the awning has been properly retracted. The awning arms are held in place by the fabric. If the fabric rips while driving, the awning will suddenly shoot out. This can lead to serious injury. Secure the awning so that it cannot extend suddenly and unexpectedly while driving.
- Do **not** open the awning while driving.
- Do **not** open the awning in strong winds or snowfall.

- Retract the awning if strong winds, heavy rain or snowfall are imminent.
- Make sure that water or snow does not accumulate on the fabric. Otherwise this could damage the awning or the awning arms could collapse and cause severe or fatal injury.
- Do not approach the awning
  - if it was left open during heavy winds
  - if pools of water have formed on it
  - if snow has accumulated on it
  - if any debris is on the awning fabric.The awning may move unexpectedly, become unstable and bend or break off.
- **With optional motor:** If the connection cable of the awning is damaged, it must be replaced by an expert.
- **With optional motor:** Disconnect the power supply by means of the on/off switch before you clean the vehicle in the vicinity of the awning or the awning itself.
- Do not leave the extended awning unattended. Retract the awning before leaving your site.
- Keep a safe distance away from the awning when having barbecues or open fires. The fabric can be damaged by heat or catch fire.
- This device can be used by children aged 8 years or over, as well as by persons with diminished physical, sensory or mental capacities or a lack of experience and knowledge, providing they are supervised or have been taught how to use the device safely and are aware of the resulting risks.
- **With optional motor: Electrical devices are not toys.** Keep the remote control out of the reach of children. Prevent children from playing with the wall switch (accessory).
- Children must be supervised to ensure that they do not play with the device.



### NOTICE!

- Park the motor home or caravan at a site where debris (branches, leaves or similar) cannot fall onto the fabric.
- The fabric of the awning should not hang down at the edges, and must remain taut at all times. If the fabric hangs down, it could rub against the arms and become damaged.  
The fabric used for long awnings should not sag in the middle.

- Only retract the awning when the fabric is free of debris (branches, leaves or similar). Otherwise the awning may be damaged when it is retracted.
- Keep the awning free of dirt to prevent abrasions, stains and mildew.
- Only retract the awning if it is wet for safety reasons. Extend it again as soon as possible. Otherwise, mildew or stains can form or the colour may fade.
- Never bend down an awning arm or the cover to drain water off the awning. This can bend the awning and impair its function.
- Do not hang any objects on the awning, on the front cover or the awning arms.
- Do not use any sprays (e. g. insect repellent, hairspray) near the awning. This will soil the fabric or the water-repellent effect of the fabric will be lost.
- If there is insufficient space above the door after the awning is mounted, the door must remain closed when retracting or extending to avoid the door making contact with the arms or the lead rail.

The required space depends on the design of the door (door width, swing or sliding door) as well as the set awning angle of inclination.

### 3 Scope of delivery

Quantity	Description
1	Awning
1	Hand crank (only awnings without motor) Emergency crank (only awnings with motor)
1	Remote control (only awnings with motor)
4	Pegs
1	Operating manual
1	Installation manual

## 4 Accessories

Available as accessories (not included in the scope of delivery):

### Description

TieDown Kit

Straps for anchoring the awning

Dometic Light LK120

LED light kit with remote control for installation on the awning arms

LED LightStrip

LED strip available in different lengths for installation on the underside of the awning

LED Profile

LED lighting available in different lengths for installation on the underside of wall-mounted awnings

Awning cleaner

Special awning cleaner

Repair Kit

Awning repair patch

Wall switch

## 5 Intended use

The PerfectWall PW3800 awning is suitable for installation on motor homes or caravans.

The awning may be only be used while the vehicle is stationary.

## 6 Technical description

PerfectWall PW3800 awnings can be extended and retracted with a 12 V motor that is controlled by remote control or wall switch (accessory).

PerfectWall PW3800 awnings can further be extended and retracted using a hand crank.

The awning is self-supporting. The integrated struts can be mounted on the side of the vehicle or on the ground to support the height of the lead rail.

## Controls of the remote control (only awnings with motor)

No. in fig. 1, page 3	Description
1	Retract awning
2	Stop
3	Extend awning
4	Switch LED lighting on/off (accessory)

## Controls of the wall switch (accessory)

No. in fig. 1, page 3	Description
1	Retract awning
2	Stop
3	Extend awning
4	Switch LED lighting on/off (accessory)

# 7 Operating the awning

Observe the safety instructions in chapter "Safety instructions" on page 10.

## 7.1 Note on the vehicle location



### **WARNING! Beware of injury.**

Keep a sufficient distance from objects or other vehicles. Once it is retracted, it should be at least 40 cm away from other objects and vehicles on all sides.



### **NOTICE!**

- Park the vehicle so that no debris (branches, leaves or similar) gets on to the fabric.
- Keep the awning free of dirt to prevent abrasions, stains and mildew.

## 7.2 Extending the awning

### Extending the awning using a hand crank

- Click the hand crank into the holder in the awning (fig. **2**, page 3).
- Turn the hand crank until the awning is extended to the required position (fig. **3**, page 4).
- Turn the hand crank approx. a quarter of the way back to tighten the fabric.



#### **NOTICE! Beware of damage.**

The fabric of the awning should not hang down at the edges, and must remain taut at all times. If the fabric hangs down, it could rub against the arms and become damaged.

The fabric used for long awnings should not sag in the middle.

- Remove the hand crank from the holder on the awning.

### Extending the awning using a motor (optional)



#### **NOTE**

#### **Only for operation with the remote control:**

- When the vehicle is started, the awning retracts automatically. While the vehicle is running, the awning is blocked and can not be extended.
- The receiver beeps once when it is switched on.
- Operation of the remote control can be affected by interference if another device is being used nearby on the same frequency.
- Keep the remote control in a safe place while you are driving. The magnet in the holder is not designed for strong vibrations, such as sudden braking.

- Press the button  until the awning is extended to the required position.



#### **NOTICE! Beware of damage.**

The fabric of the awning should not hang down at the edges, and must remain taut at all times. If the fabric hangs down, it could rub against the arms and become damaged.

The fabric used for long awnings should not sag in the middle.

## 7.3 Retracting the awning



### NOTICE!


- Only retract the awning when the fabric is free of debris (branches, leaves or similar). Otherwise the awning may be damaged when it is retracted.
- Keep the awning free of dirt to prevent abrasions, stains and mildew.
- When retracting the awning, make sure that no branches or other objects are trapped in it.
- If the awning is retracted when wet, extend it again and let the fabric dry out at the next opportunity. If the wet fabric stays rolled up for a long time, mildew will form and the fabric can fade.

- Remove any debris (branches, leaves or similar) lying on the fabric.

### Retracting the awning using a hand crank

- Click the top end of the hand crank into the holder in the awning.
- Turn the hand crank until the awning is fully retracted.
- Double-check that the awning is fully retracted before starting your journey. The lead rail should be right up against the housing.
- Remove the hand crank from the holder on the awning.

### Retracting the awning using a motor (optional)

- Press the button  until the awning has been completely retracted.
- Double-check that the awning is fully retracted before starting your journey. The lead rail should be right up against the housing.

## 7.4 Setting the inclination angle



### NOTE

When setting up the struts the inclination angle can be reduced, see chapter "Setting up the struts" on page 17.

- Adjust the nut until the awning is in the desired inclination angle (fig. **4** 1, page 4).



## 7.5 Setting up the struts

### Putting up the struts

- Push the right strut in the front cover together so that you can move it freely (fig. **5**, page 5).
- Turn the right strut to the side (fig. **5**, page 5).
- Fold the right strut down and set it on the ground (fig. **6**, page 5).
- Adjust the strut to the required height (fig. **7**, page 6).
- Fold the lever for the strut up to secure the struts (fig. **8**, page 6).
- Extend the other strut in the same way.

### Positioning the struts on the ground



#### **WARNING! Beware of injury**

- Only position the struts on solid ground.
- Secure the struts from slipping.

- Position the struts vertically underneath the lead rail.
- Secure the struts with pegs (fig. **9**, page 6).
- Position one of the struts slightly lower so that the lead rail hangs at an angle. This allows rain to run off more easily (fig. **10**, page 7).

### Securing the struts on the vehicle

You can secure the awning on your vehicle directly if you have already mounted the latches for the struts.

- Slide the cover of the latch up (fig. **11**, page 7).
- Fit the struts into the latch (fig. **11**, page 7).
- Slide the cover of the latch down (fig. **11**, page 7).
- Position one of the struts slightly lower so that the lead rail hangs at an angle. This allows rain to run off more easily (fig. **12**, page 7).

### Putting in the struts

- Loosen the struts from the fastenings (pegs or latches on the vehicle).
- Fold the lever of the right strut down to loosen the struts.

- Slide the struts together completely.
- Fold the right strut up.
- Turn the right strut into the lead rail.
- Slide the bottom part of the right strut into the latch of the lead rail.
- Retract the other strut in the same way.

## 7.6 Adjusting the motor (optional)



### NOTE

The 12 V motor is pre-assembled in the roller tube.

- If the awning no longer fully closes or opens, then adjust the 12 V motor (fig. **15**, page 8).

## 7.7 Replacing the batteries of the remote control and the wall switch (accessory) (optional)



### NOTE

If the LED of the remote control does **not** light up after pressing one of the buttons, the remote control battery is flat.

- Open the housing (fig. **16** 1, page 8).
- Remove the old battery from the holder.
- Insert a new battery (type CR2450 for remote control, type CR2430 for wall switch, fig. **16** 2, page 8) into the holder with the positive terminal facing upwards.
- Reassemble the remote control or wall switch.



### Protect the environment!

Do not dispose of any batteries with general household waste. Return defective or used batteries to your retailer or dispose of them at collection points.

## 8 Cleaning and maintenance

### 8.1 Cleaning

**NOTICE! Beware of damage.**

- **Never** clean the awning with a high-pressure cleaner.
- Do not use abrasive cleaning agents or hard objects during cleaning, as these can damage the product.

- Remove any debris (twigs, leaves or similar) lying on the awning fabric to prevent abrasions, stains and mildew. The awning can also be damaged when it is retracted.
- Clean the awning fabric regularly to remove any dirt and dust:
  - To do this, use water with 30 ml detergent and 30 ml bleach for 10 litres of water.
  - Soap down the fabric and leave the liquid to soak in for five minutes.
  - Rinse thoroughly with clean water.  
Make sure that the detergent with the bleach is completely washed off. Otherwise it can damage the fabric.
  - Leave the fabric to dry.

**NOTE**

The manufacturer recommends:  
To clean the cloth, use the Dometic awning cleaner  
(ref. no. 9600000165, available from your service partner).

### 8.2 Lubricating

- If required, lubricate the joints of the awning with paraffin wax, teflon oil or silicone oil.

### 8.3 Checking

**WARNING!**

Do not use the awning if any settings or maintenance work are required. If you discover any damage, please contact a service partner in the respective country (see addresses on the back of the manual).

- Check the awning regularly for any imbalance and wear, as well as damage to major parts.
- Check the awning regularly:
  - Is the fabric free of damage?
  - Are the arms and lead rail free of damage with no signs of wear?
  - Does the awning close properly?

## 8.4 Tighten up the screws on the rear hinge

The screws on the rear hinge must be re-tightened after being subjected to a load for the first time:

- after the first holiday using the awning
- after driving 20,000 km or six months after the awning was installed (whichever occurs first)

The screws on the rear hinge must be checked during the routine vehicle inspection.

Contact your service partner to re-tighten the screws.

### Instructions for servicing (fig. 17, page 8)



#### NOTICE!

The awning arms must not bear any load. This is to prevent the fastening torque of the screws from being distorted.

- Lift up the lead rail slightly so that the hinge is not bearing any load.
- Tighten the screws with 15 – 25 Nm.

## 8.5 Patching small holes in the fabric

You can patch any small holes in the fabric or parts where the coating has come off:

- Use a cotton cloth to rub around the damaged area with a small amount of liquid vinyl plaster (ref. no. 9103104018, available from your service partner).
- ✓ The liquid vinyl plaster dissolves the coating. The coating seals the hole when it dries.
- Wait until the area is dry before you retract the awning again.

## 9 Troubleshooting



### NOTE

If you are not able to rectify a fault with the help of the following table, please contact the relevant service partner in your country (see the back of the manual for the address).

Fault	Possible cause	Suggested remedy
The motor is not responding to the remote control.	The remote control battery is flat.	Briefly press one of the buttons $\triangle$ or $\nabla$ . If the remote control LED does not light up, the battery is flat. Replace the battery, see chapter "Replacing the batteries of the remote control and the wall switch (accessory) (optional)" on page 18.
	The remote control is no longer or not properly set to the motor.	Reprogram the remote control, see the installation manual.
	No power supply available	Check the electric connections.
	The motor is defective.	Retract the awning manually and contact the service partner in the respective country.

## 10 Warranty

The statutory warranty period applies. If the product is defective, please contact your retailer or the manufacturer's branch in your country (see the back of the instruction manual for the addresses).

For repair and guarantee processing, please include the following documents when you send in the device:

- A copy of the receipt with purchasing date
- A reason for the claim or description of the fault

# 11 Disposal

- Place the packaging material in the appropriate recycling waste bins wherever possible.



If you wish to finally dispose of the product, ask your local recycling centre or specialist dealer for details about how to do this in accordance with the applicable disposal regulations.

# 12 Technical data

PerfectWall PW 3800					
Width:	4 m	4.5 m	5 m	5.5 m	6 m
Extended:	2.7 m				
Weight:	43 kg	46 kg	49 kg	53 kg	57 kg

12 V motor	
Connection voltage:	12 V $\overline{=}$ (11 – 15 V)
Amperage:	7 A
Output power:	84 W
Torque:	35 Nm
Inspection/certification:	<b>CE</b>



**WARNUNG!**

- Diese Anleitung muss vor der Benutzung, der Reinigung und Wartung gelesen und verstanden werden.
- Dieses Produkt muss von einer Fachkraft montiert werden. Eine fehlerhafte Montage kann zu schweren Verletzungen führen. Umbauten am Produkt können äußerst gefährlich werden und zu schweren Verletzungen oder zu Geräteschäden führen.
- Diese Anleitung muss beim Produkt verbleiben. Der Besitzer muss sie aufmerksam lesen.

## Inhaltsverzeichnis

1	Hinweise zur Benutzung der Anleitung . . . . .	24
2	Sicherheitshinweise . . . . .	24
3	Lieferumfang . . . . .	27
4	Zubehör . . . . .	27
5	Bestimmungsgemäßer Gebrauch . . . . .	28
6	Technische Beschreibung . . . . .	28
7	Markise bedienen . . . . .	29
8	Reinigung und Pflege . . . . .	33
9	Störungsbeseitigung . . . . .	36
10	Gewährleistung . . . . .	36
11	Entsorgung . . . . .	37
12	Technische Daten . . . . .	37

# 1 Hinweise zur Benutzung der Anleitung

**WARNUNG!**

**Sicherheitshinweis:** Nichtbeachtung kann zu Tod oder schwerer Verletzung führen.

**ACHTUNG!**

Nichtbeachtung kann zu Materialschäden führen und die Funktion des Produktes beeinträchtigen.

**HINWEIS**

Ergänzende Informationen zur Bedienung des Produktes.

## 2 Sicherheitshinweise

### Beachten Sie die vom Fahrzeughersteller und vom Kfz-Handwerk vorgeschriebenen Sicherheitshinweise und Auflagen!

Der Hersteller übernimmt in folgenden Fällen keine Haftung für Schäden:

- Beschädigungen am Produkt durch mechanische Einflüsse und Überspannungen
- Veränderungen am Produkt ohne ausdrückliche Genehmigung vom Hersteller
- Verwendung für andere als die in der Anleitung beschriebenen Zwecke

### Beachten Sie folgende Warnhinweise:

**WARNUNG!**

- Kontrollieren Sie vor Fahrtantritt, ob die Markise vollständig eingefahren ist. Bewegen Sie nie bei geöffneter Markise das Fahrzeug.
- Fahren Sie nie mit eingehängter Kurbel. Nehmen Sie die Kurbel vor Fahrtantritt ab.
- Fahren Sie das Fahrzeug nicht, wenn das Tuch beschädigt oder eingerissen ist, auch wenn die Markise ordnungsgemäß geschlossen ist! Die Markisenarme werden durch das Tuch gehalten. Wenn das Tuch beim Fahren reißt, schnellt die Markise plötzlich heraus. Das kann zu schweren Verletzungen führen. Sichern Sie die Markise so, dass sie während der Fahrt nicht plötzlich und unerwartet ausfahren kann.
- Öffnen Sie die Markise **nicht** während der Fahrt.



- Öffnen Sie die Markise **nicht** bei starken Wind oder Schneefall.
- Fahren Sie die Markise ein, wenn starker Wind, starker Regen oder Schneefall zu erwarten sind.
- Achten Sie darauf, dass sich kein Wasser oder Schnee auf dem Tuch ansammelt. Anderenfalls kann die Markise beschädigt werden oder die Markisenarme können abbrechen und so schwere Verletzungen oder Tod verursachen.
- Nähern Sie sich nicht der Markise,
  - wenn sie während heftigem Wind offengelassen wurde,
  - wenn sich Wasserlachen auf ihr gebildet haben,
  - wenn sich Schnee angehäuft hat,
  - wenn sich viel grober Schmutz auf dem Markisentuch befindet.Die Markise kann sich unerwartet bewegen, instabil werden und sich verbiegen oder abbrechen.
- **Mit optionalem Motor:** Wenn das Anschlusskabel der Markise beschädigt ist, muss es von Fachmann ausgetauscht werden.
- **Mit optionalem Motor:** Unterbrechen Sie mit dem Ein-/Aus-Schalter die Spannungsversorgung, bevor Sie das Fahrzeug in der Umgebung der Markise oder die Markise selbst reinigen.
- Lassen Sie die ausgefahrene Markise nicht unbeaufsichtigt. Fahren Sie die Markise ein, bevor Sie Ihren Standplatz verlassen.
- Halten Sie beim Grillen mit offenem Feuer Abstand von der Markise. Das Tuch kann durch die Hitze beschädigt werden oder in Brand geraten.
- Dieses Gerät kann von Kindern ab 8 Jahren und darüber sowie von Personen mit verringerten physischen, sensorischen oder mentalen Fähigkeiten oder Mangel an Erfahrung und Wissen benutzt werden, wenn sie beaufsichtigt oder bezüglich des sicheren Gebrauchs des Gerätes unterwiesen wurden und die daraus resultierenden Gefahren verstehen.
- **Mit optionalem Motor: Elektrogeräte sind kein Kinderspielzeug!**

Verwahren Sie die Fernbedienung außerhalb der Reichweite von Kindern. Halten Sie Kinder davon ab, mit dem Wandschalter (Zubehör) zu spielen.
- Kinder sollten beaufsichtigt werden, um sicherzustellen, dass sie nicht mit dem Gerät spielen.

**ACHTUNG!**

- Stellen Sie das Wohnmobil oder den Wohnwagen so auf, dass kein Schmutz (Zweige, Blätter oder ähnliches) auf das Tuch geraten können.
- Das Tuch der Markise darf an den Rändern nicht durchhängen, sondern muss stets straff sein. Wenn das Tuch durchhängt, kann es auf den Armen scheuern und beschädigt werden. Bei langen Markisen darf das Tuch in der Mitte durchhängen.
- Fahren Sie die Markise nur ein, wenn kein Schmutz (Zweige, Blätter oder ähnliches) auf dem Tuch liegt. Beim Einfahren kann sonst die Markise beschädigt werden.
- Halten Sie die Markise frei von Schmutz, um Abschürfungen, Flecken und Schimmel zu verhindern.
- Fahren Sie die Markise nur aus Sicherheitsgründen nass ein. Fahren Sie sie so bald wie möglich wieder aus. Anderenfalls können sich Schimmel oder Flecken bilden, oder die Farbe kann ausbleichen.
- Biegen Sie nie einen Markisenarm oder die Blende herunter, um Wasser auf der Markise ablaufen zu lassen. Die Markise kann sich dadurch verbiegen und ihre Funktion wird beeinträchtigt.
- Hängen Sie keine Gegenstände an die Markise, weder an die Frontblende, noch an die Markisenarme.
- Benutzen Sie keine Sprays (z. B. Insektenspray, Haarspray) in der Nähe der Markise. Das Tuch wird dadurch beschmutzt oder der Abperleffekt des Tuches kann dadurch verloren gehen.
- Falls nach dem Einbau der Markise kein ausreichender Freiraum über der Tür verbleibt, muss die Tür während des Ein- oder Ausfahrens geschlossen bleiben, um einen Kontakt der Tür mit den Armen oder der Frontleiste zu vermeiden.  
Der benötigte Freiraum hängt von der Bauart der Tür (Türbreite, Schwenk- oder Schiebetür) sowie dem eingestellten Neigungswinkel der Markise ab.

### 3 Lieferumfang

Anzahl	Bezeichnung
1	Markise
1	Handkurbel (nur Markisen ohne Motor) Notkurbel (nur Markisen mit Motor)
4	Hering
1	Fernbedienung (nur Markisen mit Motor)
1	Bedienungsanleitung
1	Montageanleitung

### 4 Zubehör

Als Zubehör erhältlich (nicht im Lieferumfang enthalten):

Bezeichnung
TieDown Kit
Gurte zum Abspannen der Markise
Dometic Light LK120
LED-Beleuchtungskit mit Fernbedienung zur Montage an die Markisenarme
LED LightStrip
LED-Streifen in verschiedenen Längen erhältlich zur Montage an der Unterseite der Markise
LED Profile
LED-Beleuchtung in verschiedenen Längen erhältlich zur Montage an der Unterseite der Wandmarkise
Awning cleaner
Spezieller Markisenreiniger
Repair Kit
Reparaturset für Markisen
Wandschalter

## 5 Bestimmungsgemäßer Gebrauch

Die Markise PerfectWall PW3800 ist geeignet zum Anbau an Wohnmobile oder Wohnwagen.

Die Markise darf nur im Stand benutzt werden.

## 6 Technische Beschreibung

Die Markisen PerfectWall PW3800 können mit einem 12-V-Motor ein- und ausgefahren werden, der per Fernbedienung oder Wandschalter (Zubehör) gesteuert werden kann.

Markisen PerfectWall PW3800 können zusätzlich mit Hilfe einer Handkurbel ein- und ausgefahren werden können.

Die Markise ist selbsttragend. Zur Unterstützung der Frontblende können die integrierten Stützen an der Fahrzeugwand oder auf dem Boden angebracht werden.

### Bedienelemente der Fernbedienung (nur Markisen mit Motor)

Pos. in Abb. <b>1</b> , Seite 3	Bezeichnung
1	Markise einfahren
2	Stopp
3	Markise ausfahren
4	LED-Beleuchtung ein-/ausschalten (Zubehör)

### Bedienelemente des Wandschalters (Zubehör)

Pos. in Abb. <b>1</b> , Seite 3	Bezeichnung
1	Markise einfahren
2	Stopp
3	Markise ausfahren
4	LED-Beleuchtung ein-/ausschalten (Zubehör)

## 7 Markise bedienen

Beachten Sie auch die Sicherheitshinweise im Kapitel „Sicherheitshinweise“ auf Seite 24.

### 7.1 Hinweise zum Standort des Fahrzeugs



#### **WARNUNG! Verletzungsgefahr!**

Halten Sie genügend Abstand zu Gegenständen oder anderen Fahrzeugen. Nach dem Ausfahren muss ringsum ein Mindestabstand zu anderen Gegenständen oder Fahrzeugen von 40 cm sein.



#### **ACHTUNG!**

- Stellen Sie das Fahrzeug so auf, dass kein Schmutz (Zweige, Blätter oder ähnliches) auf das Tuch geraten können.
- Halten Sie die Markise frei von Schmutz, um Abschürfungen, Flecken und Schimmel zu verhindern.

### 7.2 Markise ausfahren

#### **Markise mit Handkurbel ausfahren**

- Rasten Sie die Handkurbel in die Aufnahme der Markise ein (Abb. **2**, Seite 3).
- Drehen Sie die Handkurbel, bis die Markise in die gewünschte Stellung ausgefahren ist (Abb. **3**, Seite 4).
- Drehen Sie die Handkurbel ca. eine 1/4 Umdrehung zurück, damit das Tuch gespannt wird.



#### **ACHTUNG! Beschädigungsgefahr!**

Das Tuch der Markise darf an den Rändern nicht durchhängen, sondern muss stets straff sein. Wenn das Tuch durchhängt, kann es auf den Armen scheuern und beschädigt werden.

Bei langen Markisen darf das Tuch in der Mitte durchhängen.

- Hängen Sie die Handkurbel aus der Aufnahme der Markise aus.

## Markise mit Motor ausfahren (optional)



### HINWEIS

#### Nur für den Betrieb mit Fernbedienung:

- Wenn der Fahrzeugmotor gestartet wird, fährt die Markise automatisch ein. Während der Fahrzeugmotor läuft, ist die Markise blockiert und kann nicht ausgefahren werden.
- Der Empfänger piept beim Einschalten einmal.
- Der Betrieb der Fernbedienung kann durch Funkstörungen beeinträchtigt werden, wenn ein anderes Gerät in der Nähe dieselbe Frequenz benutzt.
- Bewahren Sie die Fernbedienung während der Fahrt an einem sicheren Ort auf. Der Magnet in der Halterung ist nicht für starke Erschütterungen wie z. B. plötzliches Abbremsen ausgelegt.

- Betätigen Sie die Taste  bis die Markise in die gewünschte Stellung ausgefahren ist.



### ACHTUNG! Beschädigungsgefahr!

Das Tuch der Markise darf an den Rändern nicht durchhängen, sondern muss stets straff sein. Wenn das Tuch durchhängt, kann es auf den Armen scheuern und beschädigt werden.  
Bei langen Markisen darf das Tuch in der Mitte durchhängen.

## 7.3 Markise einfahren



### ACHTUNG!


- Fahren Sie die Markise nur ein, wenn kein Schmutz (Zweige, Blätter oder ähnliches) auf dem Tuch liegt. Beim Einfahren kann sonst die Markise beschädigt werden
- Halten Sie die Markise frei von Schmutz, um Abschürfungen, Flecken und Schimmel zu verhindern.
- Achten Sie beim Einfahren der Markise darauf, dass keine Äste oder anderen Gegenstände eingeklemmt werden.
- Wenn die Markise in nassem Zustand eingefahren wurde, fahren Sie sie bei der nächsten Gelegenheit wieder aus und lassen Sie das Tuch trocknen. Wenn das nasse Tuch längere Zeit eingerollt bleibt, wird es stockig und die Farben können ausbleichen.

- Entfernen Sie Schmutz (Zweige, Blätter oder ähnliches), der auf dem Tuch liegt.

## Markise mit Handkurbel einfahren

- Rasten Sie das obere Ende der Handkurbel in die Aufnahme der Markise ein.
- Drehen Sie die Handkurbel, bis die Markise vollständig eingefahren ist.
- Überzeugen Sie sich davon, dass die Markise vollständig eingefahren ist, bevor Sie losfahren. Die Frontblende muss eng am Gehäuse anliegen.
- Hängen Sie die Handkurbel aus der Aufnahme der Markise aus.

## Markise mit Motor einfahren (optional)

- Betätigen Sie die Taste  bis die Markise vollständig eingefahren ist.
- Überzeugen Sie sich davon, dass die Markise vollständig eingefahren ist, bevor Sie losfahren. Die Frontblende muss eng am Gehäuse anliegen.

## 7.4 Neigungswinkel verstellen



### HINWEIS

Mit aufgestellten Stützen lässt sich der Neigungswinkel verkleinern, siehe Kapitel „Stützen aufstellen“ auf Seite 31.

- Verstellen Sie die Mutter bis die Markise den gewünschten Neigungswinkel hat (Abb. **4** 1, Seite 4).

## 7.5 Stützen aufstellen

### Stützen ausklappen

- Schieben Sie die rechte Stütze in der Frontblende vollständig zusammen, sodass Sie sie frei bewegen können (Abb. **5**, Seite 5).
- Drehen Sie die rechte Stütze zur Seite (Abb. **5**, Seite 5).
- Klappen Sie die rechte Stütze nach unten weg und stellen Sie sie auf den Boden (Abb. **6**, Seite 5).
- Stellen Sie die Stütze auf die gewünschte Höhe ein (Abb. **7**, Seite 6).
- Klappen Sie den Hebel der Stütze nach oben, um die Stütze zu fixieren (Abb. **8**, Seite 6).
- Fahren Sie die andere Stütze genauso aus.

## Stützen auf dem Boden aufstellen



### WARNUNG! Verletzungsgefahr

- Stellen Sie die Stütze ausschließlich auf festem Untergrund auf.
- Sichern Sie die Stütze gegen Wegrutschen.

- Stellen Sie die Stütze senkrecht unterhalb der Frontblende auf.
- Sichern Sie die Stütze mit Heringen (Abb. **9**, Seite 6).
- Stellen Sie eine Stütze etwas tiefer ein, damit die Frontblende leicht schräg hängt. So kann Regen direkt ablaufen (Abb. **10**, Seite 7).

## Stützen am Fahrzeug befestigen

Sie können die Markise direkt an Ihrem Fahrzeug befestigen, wenn Sie die Arretierungen für die Stützen montiert haben.

- Schieben Sie die Abdeckung der Arretierung nach oben (Abb. **11**, Seite 7).
- Hängen Sie die Stütze in die Arretierung ein (Abb. **11**, Seite 7).
- Schieben Sie die Abdeckung der Arretierung nach unten (Abb. **11**, Seite 7).
- Stellen Sie eine Stütze etwas tiefer ein, damit die Frontblende leicht schräg hängt. So kann Regen direkt ablaufen (Abb. **12**, Seite 7).

## Stützen einklappen

- Lösen Sie die Befestigung der Stützen (Heringe oder Arretierung am Fahrzeug).
- Klappen Sie den Hebel der rechten Stütze nach unten, um die Stütze zu lösen.
- Schieben Sie die Stütze vollständig zusammen.
- Klappen Sie die rechte Stütze nach oben.
- Drehen Sie die rechte Stütze in die Frontblende.
- Schieben Sie den unteren Teil der rechten Stütze in die Arretierung der Frontblende.
- Fahren Sie die andere Stütze genauso ein.



## 7.6 Motor einstellen (optional)



### HINWEIS

Der 12-V-Motor ist in der Tuchwelle vormontiert.

- Wenn die Markise sich nicht mehr vollständig schließt oder öffnet, dann stellen Sie den 12-V-Motor ein (Abb. **15**, Seite 8).

## 7.7 Batterie der Fernbedienung und des Wandschalters (Zubehör) wechseln (optional)



### HINWEIS

Wenn die LED der Fernbedienung **nicht** aufleuchtet, nachdem Sie eine der Tasten gedrückt haben, ist die Batterie der Fernbedienung leer.

- Öffnen Sie das Gehäuse (Abb. **16** 1, Seite 8).
- Ziehen Sie die alte Batterie aus der Halterung.
- Setzen Sie eine neue Batterie (Typ CR2450 für Fernbedienung, Typ CR2430 für Wandschalter, Abb. **16** 2, Seite 8) mit dem Pluspol nach oben in die Halterung.
- Setzen Sie die Fernbedienung oder den Wandschalter wieder zusammen.



### Schützen Sie Ihre Umwelt!

Akkus und Batterien gehören nicht in den Hausmüll.

Geben Sie bitte Ihre defekten Akkus oder verbrauchten Batterien beim Händler oder bei einer Sammelstelle ab.

# 8 Reinigung und Pflege

## 8.1 Reinigen



### ACHTUNG! Beschädigungsgefahr!

- Reinigen Sie die Markise **nie** mit einem Hochdruckreiniger.
  - Verwenden Sie zur Reinigung keine scharfen Reinigungsmittel oder harten Gegenstände, da diese das Produkt beschädigen können.
- Entfernen Sie jeglichen Schmutz (Zweige, Blätter oder ähnliches), der auf dem Tuch liegt, um Abschürfungen, Flecken und Schimmel zu vermeiden. Außerdem kann die Markise beschädigt werden, wenn sie eingefahren wird.

- ▶ Reinigen Sie regelmäßig das Tuch der Markise, um Staub und Dreck zu entfernen:
  - Verwenden Sie dazu Wasser mit 30 ml Spülmittel und 30 ml Bleichmittel auf 10 l Wasser.
  - Seifen Sie das Tuch damit ein und lassen Sie die Reinigungsflüssigkeit fünf Minuten einwirken.
  - Spülen Sie gründlich mit klarem Wasser nach.  
Stellen Sie sicher, dass die Reinigungsflüssigkeit mit dem Bleichmittel komplett abgewaschen ist. Anderenfalls kann das Tuch beschädigt werden.
  - Lassen Sie das Tuch trocknen.

**HINWEIS**

Der Hersteller empfiehlt:

Verwenden Sie zur Reinigung des Tuchs den Dometic Markisenreiniger (Art.-Nr. 9600000165, erhältlich über Ihren Service-Partner).

## 8.2 Schmieren

- ▶ Schmieren Sie bei Bedarf die Gelenke der Markise mit einem Parafinwachs, Teflon- oder Silikonöl.

## 8.3 Kontrollieren

**WARNUNG!**

Benutzen Sie die Markise nicht, wenn Einstellungen oder Reparaturen notwendig sind.

Wenn Sie Beschädigungen feststellen, wenden Sie sich bitte an den Service-Partner im jeweiligen Land (Adressen siehe Rückseite der Anleitung).

- ▶ Untersuchen Sie die Markise regelmäßig auf Unwuchten und Abnutzung sowie auf Beschädigungen an kritischen Teilen.
- ▶ Kontrollieren Sie die Markise regelmäßig:
  - Ist das Tuch unbeschädigt?
  - Sind die Arme und die Frontblende unbeschädigt und ohne Verschleißspuren?
  - Schließt die Markise korrekt?

## 8.4 Schrauben der Schultergelenke nachziehen

Die Schrauben am Schultergelenk müssen nach ersten Belastungen nachgezogen werden:

- nach dem ersten Urlaub mit Markisennutzung
- nach 20000 km Fahrleistung oder sechs Monaten nach Einbau der Markise (je nachdem, was zuerst eintrifft)

Die Schrauben am Schultergelenk müssen bei der regelmäßigen Fahrzeuginspektion kontrolliert werden.

Wenden Sie sich zum Nachziehen der Schrauben an Ihren Service-Partner.

### Anweisung für den Service (Abb. 17, Seite 8)



#### **ACHTUNG!**

Die Markisenarme müssen lastfrei sein, damit das Anzugsmoment der Schrauben nicht verfälscht wird.

- Heben Sie die Frontleiste leicht an, damit die Gelenke lastfrei sind.
- Ziehen Sie die Schrauben mit 15 – 25 Nm nach.

## 8.5 Kleine Löcher im Tuch flicken

Kleine Löcher im Tuch oder Stellen, an denen sich die Beschichtung löst, können Sie selber flicken:

- Verreiben Sie mit einem Baumwolllappen rund um die beschädigte Stelle ein bisschen flüssiges Vinylpflaster (Art.-Nr. 9103104018, erhältlich über Ihren Service-Partner).
- ✓ Das flüssige Vinylpflaster löst die Beschichtung an. Die Beschichtung schließt das Loch beim Trocknen.
- Warten Sie, bis die Stelle getrocknet ist, bevor Sie die Markise wieder einfahren.

## 9 Störungsbeseitigung



### HINWEIS

Wenn Sie Störungen nicht mit Hilfe der folgenden Tabelle beseitigen können, wenden Sie sich bitte an den Service-Partner im jeweiligen Land (Adressen siehe Rückseite der Anleitung).

Störung	Mögliche Ursache	Lösungsvorschlag
Der Motor reagiert nicht auf die Fernbedienung.	Die Batterie der Fernbedienung ist leer.	Drücken Sie kurz eine der beiden Tasten $\triangle$ oder $\nabla$ . Wenn die LED der Fernbedienung nicht leuchtet, ist die Batterie leer. Ersetzen Sie die Batterie, siehe Kapitel „Batterie der Fernbedienung und des Wandschalters (Zubehör) wechseln (optional)“ auf Seite 33.
	Die Fernbedienung ist nicht oder nicht mehr richtig auf den Motor eingestellt.	Lernen Sie die Fernbedienung neu an, siehe Montageanleitung.
	Keine Versorgungsspannung vorhanden	Prüfen Sie die elektrischen Verbindungen.
	Der Motor ist defekt.	Fahren Sie die Markise manuell ein und wenden Sie sich an den Service-Partner im jeweiligen Land.

## 10 Gewährleistung

Es gilt die gesetzliche Gewährleistungsfrist. Sollte das Produkt defekt sein, wenden Sie sich bitte an Ihren Fachhändler oder an die Niederlassung des Herstellers in Ihrem Land (Adressen siehe Rückseite der Anleitung).

Zur Reparatur- bzw. Gewährleistungsbearbeitung müssen Sie folgende Unterlagen mitschicken:

- eine Kopie der Rechnung mit Kaufdatum,
- einen Reklamationsgrund oder eine Fehlerbeschreibung.

# 11 Entsorgung

- Geben Sie das Verpackungsmaterial möglichst in den entsprechenden Recycling-Müll.



Wenn Sie das Produkt endgültig außer Betrieb nehmen, informieren Sie sich bitte beim nächsten Recyclingcenter oder bei Ihrem Fachhändler über die zutreffenden Entsorgungsvorschriften.

# 12 Technische Daten

PerfectWall PW 3800					
Breite:	4 m	4,5 m	5 m	5,5 m	6 m
Auszug:	2,7 m				
Gewicht:	43 kg	46 kg	49 kg	53 kg	57 kg

12-V-Motor	
Anschlussspannung:	12 V $\overline{\text{---}}$ (11 – 15 V)
Stromstärke:	7 A
Ausgangsleistung:	84 W
Drehmoment:	35 Nm
Prüfung/Zertifikat:	<b>CE</b>



### AVERTISSEMENT !

- Ce manuel doit être lu et compris avant l'utilisation, le nettoyage et la maintenance.
- Ce produit doit être monté par un technicien agréé. Un montage erroné peut entraîner de graves blessures. Des modifications du produit peuvent s'avérer extrêmement dangereuses et provoquer de graves blessures ou des dommages de l'appareil.
- Ce manuel doit rester à proximité du produit. Le propriétaire doit le lire attentivement.

## Sommaire

1	Remarques concernant l'utilisation de ce manuel . . . . .	39
2	Consignes de sécurité . . . . .	39
3	Contenu de la livraison . . . . .	42
4	Accessoires . . . . .	42
5	Usage conforme . . . . .	43
6	Description technique . . . . .	43
7	Utilisation du store extérieur . . . . .	44
8	Nettoyage et entretien . . . . .	48
9	Guide de dépannage . . . . .	51
10	Garantie . . . . .	51
11	Élimination des déchets . . . . .	52
12	Caractéristiques techniques . . . . .	52

# 1 Remarques concernant l'utilisation de ce manuel



## AVERTISSEMENT !

**Consigne de sécurité :** le non-respect de ces consignes peut entraîner la mort ou de graves blessures.



## AVIS !

Le non-respect de ces consignes peut entraîner des dommages matériels et des dysfonctionnements du produit.



## REMARQUE

Informations complémentaires sur l'utilisation du produit.

# 2 Consignes de sécurité

**Respectez les consignes de sécurité et autres prescriptions imposées par le fabricant du véhicule et par les professionnels de l'automobile !**

Le fabricant décline toute responsabilité pour des dommages dans les cas suivants :

- des influences mécaniques et des surtensions ayant endommagé le matériel
- des modifications apportées au produit sans autorisation explicite de la part du fabricant
- une utilisation différente de celle décrite dans la notice

**Tenez compte des avertissements suivants :**



## AVERTISSEMENT !

- Vérifiez avant le départ que le store extérieur est complètement replié. Ne déplacez jamais le véhicule lorsque le store extérieur est ouvert.
- Ne conduisez jamais lorsque la manivelle est accrochée. Retirez la manivelle avant de partir.

- Ne conduisez pas le véhicule lorsque le tissu est endommagé ou déchiré, même si le store extérieur est correctement fermé ! Les bras du store extérieur sont maintenus par le tissu. Si le tissu se déchire pendant la conduite, le store extérieur risque de sortir d'un coup. Cela peut entraîner de graves blessures. Bloquez le store extérieur de telle sorte qu'il ne puisse se déplier soudainement et de manière inattendue pendant le trajet.
- **N'ouvrez pas** le store extérieur pendant le trajet.
- **N'ouvrez pas** le store extérieur en cas de fort vent ou de fortes chutes de neige.
- Repliez le store extérieur en cas de prévision de fort vent, de forte pluie ou de fortes chutes de neige.
- Veillez à ce que de l'eau ou de la neige ne s'accumule pas sur le tissu. Cela pourrait endommager le store extérieur ou casser les bras du store extérieur et provoquer de graves blessures ou la mort.
- Ne vous approchez pas du store extérieur,
  - s'il est resté ouvert par fort vent,
  - si des flaques d'eau se sont formées dessus,
  - si de la neige s'est accumulée,
  - s'il y a beaucoup de saletés sur la toile du store.Le store extérieur peut se déplacer de manière inattendue, devenir instable et se courber ou se casser.
- **Avec moteur en option** : Si le câble de raccordement du store extérieur est endommagé, il doit être remplacé par un expert.
- **Avec moteur en option** : Débranchez l'alimentation électrique à l'aide de l'interrupteur marche / arrêt avant de nettoyer le véhicule à proximité du store extérieur ou de nettoyer le store extérieur lui-même.
- Ne laissez pas le store extérieur déplié sans surveillance. Repliez le store extérieur avant de quitter votre emplacement.
- Lorsque vous faites des grillades sur des flammes nues, restez à distance du store extérieur. Le tissu peut être endommagé par la chaleur ou même prendre feu.
- Cet appareil peut être utilisé par des enfants âgés de 8 ans ou plus, ainsi que par des personnes ayant des capacités physiques, sensorielles ou mentales affaiblies ou un manque d'expérience et de connaissances, à condition qu'ils soient supervisés ou aient été informés sur la façon d'utiliser le dispositif en toute sécurité et soient au courant des risques qui en découlent.



- **Avec moteur en option : Les appareils électriques ne sont pas des jouets pour enfants.**

Conservez la télécommande hors de portée des enfants. Assurez-vous que les enfants ne puissent pas jouer avec l'interrupteur mural (accessoire).

- Les enfants doivent être surveillés pour s'assurer qu'ils ne jouent pas avec l'appareil.



### AVIS !

- Installez le camping-car ou la caravane de telle sorte qu'aucune saleté (branches, feuilles, etc.) ne puisse tomber sur le tissu.
- Le tissu du store extérieur ne doit pas pendre, il doit toujours être bien tendu. Si le tissu pend, il peut frotter contre les bras et être endommagé.  
Pour les longs stores, le tissu peut pendre au milieu.
- Ne repliez le store extérieur que lorsqu'il n'y a pas de saletés (branches, feuilles, etc.) sur le tissu. Le store extérieur risquerait sinon d'être endommagé.
- Maintenez le store extérieur propre afin d'éviter des accrocs, des taches et des moisissures.
- S'il est mouillé, ne repliez le store extérieur que pour des raisons de sécurité. Dépliez-le dès que possible. Dans le cas contraire, des moisissures ou des taches pourraient se former, ou la couleur pourrait pâlir.
- Ne courbez jamais un bras du store extérieur ou l'avant du store extérieur vers le bas pour que l'eau s'écoule. Le store extérieur risquerait de se tordre et son fonctionnement serait affecté.
- N'accrochez pas d'objets au store extérieur, ni à l'avant, ni aux bras du store extérieur.
- N'utilisez pas de sprays (p. ex. spray contre les insectes, sprays pour les cheveux) à proximité du store extérieur. Cela salit le tissu et l'effet hydrophobe du tissu risquerait de disparaître.
- Si après le montage du store extérieur il ne reste pas d'espace suffisant au-dessus de la porte, la porte doit rester fermée pendant que le store extérieur est déplié ou replié, afin d'éviter le contact de la porte avec les bras ou le rail de guidage.  
L'espace libre nécessaire dépend du type de construction de la porte (largeur de la porte, porte battante ou coulissante) ainsi que de l'angle d'inclinaison réglé pour le store extérieur.

### 3 Contenu de la livraison

Quantité	Description
1	Store extérieur
1	Manivelle (uniquement les stores extérieurs sans moteur) Manivelle de secours (uniquement les stores extérieurs avec moteur)
1	Télécommande (uniquement les stores extérieurs avec moteur)
4	Sardine
1	Notice d'utilisation
1	Instructions de montage

### 4 Accessoires

Disponibles en accessoires (non compris dans la livraison) :

#### Description

Kit d'arrimage

Sangle permettant de tendre le store extérieur

Dometic Light LK120

Kit d'éclairage DEL avec télécommande, à monter sur les bras du store extérieur

LED LightStrip

Bande de LED disponible en différentes longueurs pour une installation sur le dessous du store extérieur

Profil de LED

Éclairage à LED disponible en différentes longueurs pour une installation sur le dessous des stores extérieurs à montage mural

Nettoyant pour stores extérieurs

Nettoyant spécial pour stores extérieurs

Nécessaire de réparation

Patch de réparation pour stores extérieurs

Commutateur mural

## 5 Usage conforme

Le store extérieur PerfectWall PW 3800 est conçu pour être installé sur des camping-cars ou des caravanes.

Le store extérieur doit être utilisé à l'arrêt uniquement.

## 6 Description technique

Les stores extérieurs PerfectWall PW 3800 peuvent être dépliés et repliés avec un moteur de 12 V commandé par télécommande ou commutateur mural (accessoires).

Ils se déplient et se replient également à l'aide d'une manivelle.

Le store extérieur est à structure autoportante. Les montants intégrés peuvent être installés sur le côté du véhicule ou sur le sol pour supporter la hauteur du rail de guidage.

### Commandes de la télécommande (uniquement les stores extérieurs avec moteur)

Pos. dans fig. 1, page 3	Description
1	Replier le store extérieur
2	Stop
3	Déplier le store extérieur
4	Allume/éteint l'éclairage LED (accessoire)

### Commandes du commutateur mural (accessoires)

Pos. dans fig. 1, page 3	Description
1	Replier le store extérieur
2	Stop
3	Déplier le store extérieur
4	Allume/éteint l'éclairage LED (accessoire)

## 7 Utilisation du store extérieur

Respectez les consignes de sécurité du chapitre « Consignes de sécurité », page 39.

### 7.1 Remarques concernant le lieu d'arrêt du véhicule



#### **AVERTISSEMENT ! Risque de blessures.**

Respectez une distance suffisante par rapport aux objets ou aux autres véhicules. Une fois le store extérieur déplié, la distance minimale avec les autres objets ou véhicules, tout autour du store extérieur, doit être de 40 cm.



#### **AVIS !**

- Installez le véhicule de telle sorte qu'aucune saleté (branches, feuilles, etc.) ne puisse tomber sur le tissu.
- Maintenez le store extérieur propre afin d'éviter des accrocs, des taches et des moisissures.

### 7.2 Déplier le store extérieur

#### **Déplier le store extérieur avec la manivelle**

- Insérez la manivelle dans le logement du store extérieur (fig. **2**, page 3).
- Tournez la manivelle jusqu'à ce que le store extérieur soit déplié dans la position souhaitée (fig. **3**, page 4).
- Tournez la manivelle d'environ 1/4 de tour dans le sens inverse, afin que le tissu soit tendu.



#### **AVIS ! Attention aux dommages.**

Le tissu du store extérieur ne doit pas pendre, il doit toujours être bien tendu. Si le tissu pend, il peut frotter contre les bras et être endommagé. Pour les longs stores, le tissu peut pendre au milieu.

- Retirez la manivelle du logement du store extérieur.

## Déplier le store extérieur avec un moteur (en option)



### REMARQUE

#### Uniquement pour l'utilisation à l'aide de la télécommande

- Lorsque le véhicule est démarré, le store extérieur se replie automatiquement. Lorsque le véhicule est en marche, le store extérieur est bloqué et ne peut pas être déplié.
- Le récepteur émet un bip sonore quand il est allumé.
- Le fonctionnement de la télécommande peut être affecté par des perturbations radioélectriques lorsqu'un autre appareil se trouvant à proximité utilise la même fréquence.
- Gardez la télécommande dans un endroit sûr pendant que vous conduisez. L'aimant dans le support n'est pas conçu pour de fortes vibrations, comme le freinage brusque.

- Appuyez sur la touche ▽ jusqu'à ce que le store extérieur soit déplié dans la position souhaitée.



### AVIS ! Attention aux dommages.

Le tissu du store extérieur ne doit pas pendre, il doit toujours être bien tendu. Si le tissu pend, il peut frotter contre les bras et être endommagé. Pour les longs stores, le tissu peut pendre au milieu.

## 7.3 Replier le store extérieur



### AVIS !


- Ne repliez le store extérieur que lorsqu'il n'y a pas de saletés (branches, feuilles, etc.) sur le tissu. Le store extérieur risquerait sinon d'être endommagé.
- Maintenez le store extérieur propre afin d'éviter des accrocs, des taches et des moisissures.
- Lorsque vous repliez l'auvent, veillez à ce qu'aucune branche ou autre objet ne soit coincé.
- Si le store extérieur est rétracté lorsqu'il est mouillé, déployez-le à nouveau dès que possible et laissez le tissu sécher. Si le tissu humide reste replié trop longtemps, il risque de moisir ou ses couleurs de pâlir.

- Retirez toutes les saletés (branches, feuilles, etc.) présentes sur le tissu.

### Replier le store extérieur avec la manivelle

- Insérez l'extrémité supérieure de la manivelle dans le logement du store extérieur.
- Tournez la manivelle jusqu'à ce que le store extérieur soit complètement replié.
- Vérifiez que le store extérieur est complètement replié avant de partir. Le rail de guidage doit se trouver contre le bâti.
- Retirez la manivelle du logement du store extérieur.

### Replier le store extérieur avec un moteur (en option)

- Appuyez sur la touche  jusqu'à ce que le store extérieur soit complètement replié.
- Vérifiez que le store extérieur est complètement replié avant de partir. Le rail de guidage doit se trouver contre le bâti.

## 7.4 Régler l'angle d'inclinaison



### REMARQUE

Lors du positionnement des montants, il est possible de réduire l'angle d'inclinaison, voir chapitre « Installation des montants », page 46.

- Réglez l'écrou jusqu'à ce que le store extérieur soit positionné à l'angle d'inclinaison souhaité (fig. **4** 1, page 4).

## 7.5 Installation des montants

### Pose des montants

- Insérez complètement le montant droit dans le cache avant, de sorte que vous puissiez le déplacer librement (fig. **5**, page 5).
- Tournez le montant de droite sur le côté (fig. **5**, page 5).
- Rabattez le montant droit vers le bas et posez-le sur le sol (fig. **6**, page 5).
- Réglez le montant sur la hauteur souhaitée (fig. **7**, page 6).
- Rabattez le levier du montant vers le haut pour fixer le montant (fig. **8**, page 6).
- Repliez l'autre montant de la même manière.

## Installation des montants au sol



### AVERTISSEMENT ! Risque de blessures !

- Posez le montant uniquement sur une surface solide.
- Assurez-vous que le montant ne puisse pas glisser.

- Placez le montant à la verticale sous le rail de guidage.
- Bloquez le montant avec des sardines (fig. **9**, page 6).
- Réglez un montant un peu plus bas afin que le rail de guidage soit un peu de travers. La pluie peut ainsi s'écouler directement (fig. **10**, page 7).

## Fixation des montants sur le véhicule

Vous pouvez fixer le store extérieur directement sur votre véhicule, si vous avez monté les blocages pour les montants.

- Faites coulisser le cache du blocage vers le haut (fig. **11**, page 7).
- Suspendez les montants dans le blocage (fig. **11**, page 7).
- Faites coulisser le cache du blocage vers le bas (fig. **11**, page 7).
- Réglez un montant un peu plus bas afin que le rail de guidage soit un peu de travers. La pluie peut ainsi s'écouler directement (fig. **12**, page 7).

## Mise en place des montants

- Détachez la fixation des montants (sardines ou blocage au niveau du véhicule).
- Rabattez le levier du montant droit vers le bas pour détacher le montant.
- Repliez complètement le montant.
- Rabattez le montant droit vers le haut.
- Tournez le montant de droite dans le rail de guidage.
- Faites glisser la partie inférieure du montant de droite dans le blocage du rail de guidage.
- Repliez l'autre montant de la même manière.

## 7.6 Réglage du moteur (en option)



### REMARQUE

Le moteur 12 V est prémonté dans l'arbre de la toile.

- Si le store extérieur ne se ferme ou ne s'ouvre plus complètement, réglez le moteur 12 V (fig. **15**, page 8).

## 7.7 Remplacement des piles de la télécommande et du commutateur mural (accessoires) (en option)



### REMARQUE

Si la LED de la télécommande **ne s'allume pas** après un appui sur un des boutons, la pile de la télécommande est usée.

- Ouvrez le boîtier (fig. **16** 1, page 8).
- Retirez la pile usée du support.
- Insérez une nouvelle pile (type CR2450 pour la télécommande à distance, type CR2430 pour l'interrupteur mural, fig. **16** 2, page 8) dans le support avec la borne positive vers le haut.
- Remontez la télécommande ou l'interrupteur mural.



### Protégez l'environnement !

Les piles et les batteries usagées ne sont pas des déchets ménagers.

Rapportez les piles défectueuses ou les batteries usagées à votre revendeur ou à un centre de collecte.

# 8 Nettoyage et entretien

## 8.1 Nettoyage



### AVIS ! Attention aux dommages.

- Ne nettoyez **jamais** le store extérieur avec un nettoyeur haute pression.
- N'utilisez ni produits abrasifs ni objets durs pour le nettoyage, ceux-ci pouvant endommager le produit.



- Retirez toute saleté (branches, feuilles, etc.) se trouvant sur le tissu afin d'éviter des accrocs, des taches et des moisissures. En outre, le store extérieur peut être endommagé lorsqu'il sera replié.
- Nettoyez régulièrement le tissu du store extérieur pour retirer la poussière et la saleté :
  - Pour ce faire, utilisez de l'eau contenant 30 ml de détergent et 30 ml d'agent blanchissant pour 10 litres d'eau.
  - Savonnez le tissu avec cette solution et laissez le liquide agir pendant cinq minutes.
  - Rincez soigneusement à l'eau claire.  
Assurez-vous que la solution contenant de l'agent blanchissant est complètement rincée. Le tissu pourrait sinon être endommagé.
  - Laissez sécher le tissu.



### REMARQUE

Le fabricant recommande :  
pour le nettoyage du tissu, utilisez le détergent pour stores extérieurs Dometic (n° d'art. 9600000165, disponible auprès de votre partenaire de service après-vente).

## 8.2 Lubrification

- En cas de besoin, lubrifiez les articulations du store extérieur avec une cire de paraffine ou de l'huile au téflon ou au silicone.

## 8.3 Contrôle



### AVERTISSEMENT !

N'utilisez pas le store extérieur si des réglages ou des réparations sont nécessaires.

Si vous constatez des dommages, veuillez vous adresser à un de nos partenaires de service présent dans votre pays (voir adresses au dos du présent manuel).

- Vérifiez régulièrement que le store extérieur n'est pas déséquilibré, usé ou endommagé à des endroits critiques.
- Contrôlez régulièrement le store extérieur :
  - Le tissu est-il intact ?
  - Les bras et le rail de guidage sont-ils intacts et sans traces d'usure ?
  - Le store extérieur se ferme-t-il correctement ?

## 8.4 Resserrage des vis de l'articulation

Les vis de l'articulation doivent être resserrées après les premières sollicitations :

- Après les premières vacances au cours desquelles le store extérieur a été utilisé
- Après 20 000 km ou six mois après le montage du store extérieur (selon ce qui se produit en premier)

Les vis de l'articulation doivent être contrôlées lors de l'inspection du véhicule effectuée régulièrement.

Adressez-vous à votre partenaire de service pour le resserrage des vis.

### Consignes pour l'entretien (fig. 17, page 8)



#### AVIS !

Les bras du store extérieur ne doivent supporter aucune charge. Il s'agit d'empêcher le couple de serrage des vis d'être faussé.

- Soulevez légèrement le rail de guidage pour que la charnière ne supporte pas de charge.
- Resserrez les vis à 15 – 25 Nm.

## 8.5 Réparer de petits trous dans le tissu

Vous pouvez réparer vous-même de petits trous dans le tissu ou les endroits où le revêtement se défait :

- Avec un chiffon en coton, étalez un peu de liquide de réparation au vinyle (n° d'art. 9103104018, disponible auprès de votre partenaire de service) autour de l'endroit endommagé.
- ✓ Le liquide de réparation au vinyle corrode le revêtement. En séchant, le revêtement referme le trou.
- Attendez que l'endroit soit sec avant de replier le store extérieur.

## 9 Guide de dépannage



### REMARQUE

Si vous n'êtes pas en mesure de remédier à un défaut à l'aide du tableau ci-dessous, veuillez contacter le partenaire de service correspondant dans votre pays (voir au verso du manuel pour l'adresse).

Dysfonctionnement	Cause possible	Solution proposée
Le moteur ne répond pas à la télécommande.	La pile de la télécommande est usée.	Appuyez brièvement sur une des touches $\triangle$ ou $\nabla$ . Si la LED de la télécommande ne s'allume pas, la pile est usée. Changez la pile (voir chapitre « Remplacement des piles de la télécommande et du commutateur mural (accessoires) (en option) », page 48).
	La télécommande n'est plus ou pas correctement réglée sur le moteur.	Reprogrammez la télécommande, voir les instructions de montage.
	Pas d'alimentation électrique disponible.	Vérifiez les raccordements électriques.
	Le moteur est défectueux.	Repliez le store extérieur manuellement et contactez le partenaire de service après-vente dans le pays correspondant.

## 10 Garantie

Le délai légal de garantie s'applique. Si le produit s'avérait défectueux, veuillez vous adresser à la filiale du fabricant située dans votre pays (voir adresses au verso du présent manuel) ou à votre revendeur spécialisé.

Veuillez y joindre les documents suivants pour la gestion des réparations et de la garantie :

- une copie de la facture avec la date d'achat,
- le motif de la réclamation ou une description du dysfonctionnement.

## 11 Élimination des déchets

- Jetez les emballages dans les conteneurs de déchets recyclables prévus à cet effet.



Lorsque vous mettez votre produit définitivement hors service, informez-vous auprès du centre de recyclage le plus proche ou auprès de votre revendeur spécialisé sur les prescriptions relatives au retraitement des déchets.

## 12 Caractéristiques techniques

PerfectWall PW 3800					
Largeur :	4 m	4,5 m	5 m	5,5 m	6 m
Avancée :	2,7 m				
Poids :	43 kg	46 kg	49 kg	53 kg	57 kg

Moteur 12 V	
Tension de raccordement :	12 V $\overline{=}$ (11 – 15 V)
Intensité du courant :	7 A
Puissance de sortie :	84 W
Couple de serrage :	35 Nm
Contrôle/certificat :	<b>CE</b>



### ¡ADVERTENCIA!

- Estas instrucciones deben haberse leído y comprendido antes del uso, limpieza y mantenimiento.
- Este producto debe montarlo un técnico cualificado. Un montaje incorrecto puede causar graves lesiones. Las modificaciones en el producto pueden ser muy peligrosas y causar lesiones graves o daños en el aparato.
- Esas instrucciones deben permanecer con el producto. El propietario debe leerlas con atención.

## Índice

1	Notas sobre el empleo de las instrucciones . . . . .	54
2	Indicaciones de seguridad . . . . .	54
3	Volumen de entrega . . . . .	57
4	Accesorios. . . . .	57
5	Uso adecuado . . . . .	58
6	Descripción técnica . . . . .	58
7	Manejo del toldo. . . . .	59
8	Limpieza y cuidado . . . . .	63
9	Solución de averías. . . . .	66
10	Garantía . . . . .	66
11	Gestión de residuos . . . . .	67
12	Datos técnicos. . . . .	67

# 1 Notas sobre el empleo de las instrucciones



## ¡ADVERTENCIA!

**Indicación de seguridad:** su incumplimiento puede acarrear la muerte o graves lesiones.



## ¡AVISO!

Su incumplimiento puede acarrear daños materiales y perjudicar el correcto funcionamiento del producto.



## NOTA

Información adicional para el manejo del producto.

## 2 Indicaciones de seguridad

**Tenga en cuenta las indicaciones de seguridad y la documentación suministrada por el fabricante y el taller del vehículo.**

El fabricante declina toda responsabilidad ante daños ocurridos en los siguientes casos:

- daños en el producto debido a influencias mecánicas y sobretensiones
- modificaciones realizadas en el producto sin el expreso consentimiento del fabricante
- utilización del aparato para fines distintos a los descritos en las instrucciones

**Tenga en cuenta las siguientes advertencias:**



## ¡ADVERTENCIA!

- Antes de empezar a conducir, compruebe que el toldo esté totalmente cerrado. Nunca mueva el vehículo con el toldo abierto.
- Nunca conduzca con la manivela colgada. Quite la manivela antes de empezar a conducir.

- No conduzca el vehículo si la lona está dañada o rasgada, incluso cuando el toldo se haya cerrado adecuadamente. La lona retiene los brazos del toldo. Si la lona se rasga durante la conducción, el toldo se abrirá de repente. Podrían producirse graves lesiones. Asegure el toldo de forma que no se abra de forma repentina e inesperada durante la conducción.
- **No** abra el toldo durante la conducción.
- **No** abra el toldo cuando sople un viento fuerte o nieve.
- Cierre el toldo cuando se espere un viento fuerte, lluvia o nieve abundante.
- Evite que se acumule agua o nieve sobre la lona. De lo contrario, el toldo podría dañarse o los brazos del toldo podrían partirse y ocasionar lesiones graves o la muerte.
- No se acerque al toldo
  - cuando se ha dejado abierto con viento fuerte,
  - cuando se han formado bolsas de agua sobre él,
  - cuando se ha acumulado la nieve sobre él,
  - cuando haya sedimentos grandes sobre la lona del toldo.El toldo podría moverse de forma inesperada, perder la estabilidad necesaria y curvarse o romperse.
- **Con motor opcional:** Si el cable de conexión del toldo está dañado, lo debe sustituir un experto.
- **Con motor opcional:** Desconecte la alimentación mediante el interruptor on/off antes de limpiar el vehículo cerca del toldo o el propio toldo.
- No deje sin vigilancia el toldo abierto. Cierre el toldo antes de irse del lugar donde se encuentra.
- Manténgase alejado del toldo cuando haga una barbacoa. La lona podría dañarse por el calor o incendiarse.
- Los niños mayores de 8 años y las personas de capacidad física, sensorial o mental disminuida, así como aquellas personas con falta de experiencia y conocimientos suficientes solo podrán utilizar este aparato bajo vigilancia o si han sido instruidos respecto al uso seguro del aparato y a los posibles peligros que pueden emanar de él.
- **Con motor opcional: Los aparatos eléctricos no son juguetes.** Guarde el control remoto fuera del alcance de los niños. Evite que los niños jueguen con el interruptor de pared (accesorio).
- Controle a los niños para asegurarse de que no jueguen con el aparato.

**¡AVISO!**

- Aparque la caravana o autocaravana de modo que no puedan caer ramas, hojas o semejantes sobre la lona.
- La lona del toldo no debe combarse por los bordes, sino que siempre debe estar tensa. Si la lona se comba, podría rozar contra los brazos y dañarse.  
En caso de toldos largos, está permitido que la lona se combe por el centro.
- Antes de cerrar el toldo, limpie la lona de ramas, hojas, etc. que haya sobre la lona, de otro modo el toldo podría dañarse.
- Mantenga el toldo libre de suciedad, excoriaciones, manchas y moho.
- Recoja el toldo estando húmedo solo por razones de seguridad. En cuanto sea posible, vuelva a abrirlo. De lo contrario, se pueden formar moho y manchas o se puede perder el color.
- Nunca doble los brazos del toldo ni el protector para dejar escurrir agua del toldo. El toldo podría torcerse y su funcionamiento se verá afectado.
- No cuelgue objetos del toldo, ni de la protección delantera ni de los brazos del toldo.
- No utilice aerosoles (insecticidas, lacas para el pelo) cerca del toldo. Ensuciarán la lona o harán que ésta pierda su efecto hidrófobo.
- Si después de haber montado el toldo no queda suficiente espacio libre por encima de la puerta, ésta deberá permanecer cerrada mientras se despliega o recoge el toldo para evitar que los brazos o el carril de plomo.  
El espacio libre necesario depende del tipo de puerta (ancho, puerta de bisagras, puerta corredera) y del ángulo de inclinación ajustado.



### 3 Volumen de entrega

Cantidad	Descripción
1	Toldo
1	Manivela (solo toldos sin motor) Manivela de emergencia (solo toldos con motor)
1	Control remoto (solo toldos con motor)
4	Piqueta
1	Instrucciones de uso
1	Instrucciones de montaje

### 4 Accesorios

Disponibles como accesorio (no incluidos en el volumen de entrega):

Descripción
Kit TieDown Correas para amarrar el toldo
Dometic Light LK120 Kit de iluminación LED con control remoto para montaje en los brazos del toldo
LED LightStrip Cinta de luces LED disponible en diferentes longitudes para la instalación en la parte inferior del toldo
Perfil LED Luces LED disponibles en diferentes longitudes para la instalación en la parte inferior de toldos montados en la pared
Limpiador de toldo Limpiador de toldo especial
Kit de reparación Parche de reparación de toldo
Interruptor de pared

## 5 Uso adecuado

El toldo PerfectWall PW3800 es apto para ser instalado en caravanas o autocaravanas.

El toldo solo debe utilizarse cuando el vehículo está estacionado.

## 6 Descripción técnica

Los toldos PerfectWall PW3800 se pueden abrir y cerrar con un motor de 12 V accionado por control remoto o mediante un interruptor de pared (accesorio).

Los toldos PerfectWall PW3800 también se pueden abrir y cerrar utilizando una manivela.

El toldo es autoportante. Los apoyos incluidos se pueden instalar en un lado del vehículo o sobre el suelo para soportar el peso del raíl principal.

### Funciones del control remoto (solo en toldos con motor)

Pos. en fig. <b>1</b> , página 3	Descripción
1	Cierre del toldo
2	Parada
3	Apertura del toldo
4	Interruptor de luz LED on/off (accesorio)

### Funciones del interruptor de pared (accesorio)

Pos. en fig. <b>1</b> , página 3	Descripción
1	Cierre del toldo
2	Parada
3	Apertura del toldo
4	Interruptor de luz LED on/off (accesorio)

## 7 Manejo del toldo

Tenga en cuenta las indicaciones de seguridad en capítulo "Indicaciones de seguridad" en la página 54.

### 7.1 Indicaciones para el lugar del vehículo



#### **¡ADVERTENCIA! Peligro de sufrir lesiones.**

Mantenga espacio suficiente con respecto a otros objetos o vehículos. Con el toldo extraído, debe haber un espacio mínimo de 40 cm con respecto a otros objetos o vehículos.



#### **¡AVISO!**

- Aparque el vehículo de modo que no puedan caer ramas, hojas u objetos semejantes sobre la lona.
- Mantenga el toldo libre de suciedad, excoriaciones, manchas y moho.

### 7.2 Apertura del toldo

#### **Extraer el toldo con la manivela**

- Encastre la manivela en el alojamiento del toldo (fig. **2**, página 3).
- Gire la manivela hasta que el toldo llegue a la posición de apertura deseada (fig. **3**, página 4).
- Gire la manivela un cuarto de vuelta en dirección contraria para tensar la lona.



#### **¡AVISO! Evite que se produzcan daños.**

La lona del toldo no debe combarse por los bordes, sino que siempre debe estar tensa. Si la lona se comba, podría rozar contra los brazos y dañarse.

En caso de toldos largos, está permitido que la lona se combe por el centro.

- Descuelgue la manivela del alojamiento del toldo.

## Apertura del toldo con motor (opcional)



### NOTA

#### Solo para el funcionamiento con el control remoto:

- Cuando se arranca el vehículo, el toldo se cierra automáticamente. Mientras el vehículo está en marcha, el toldo está bloqueado y no se puede abrir.
- El receptor emite un sonido al encenderlo.
- El funcionamiento del control remoto puede verse afectado por radiointerferencias si otro aparato utiliza la misma frecuencia en sus proximidades.
- Mantenga el control remoto en un lugar seguro mientras conduce. El imán del soporte no se ha diseñado para soportar vibraciones fuertes como un frenado brusco.

- Pulse el botón hasta  que el toldo llegue a la posición de apertura deseada.



### ¡AVISO! Evite que se produzcan daños.

La lona del toldo no debe combarse por los bordes, sino que siempre debe estar tensa. Si la lona se combe, podría rozar contra los brazos y dañarse.

En caso de toldos largos, está permitido que la lona se combe por el centro.

## 7.3 Cierre del toldo



### ¡AVISO!


- Antes de cerrar el toldo, limpie la lona de ramas, hojas, etc. que haya sobre la lona, de otro modo el toldo podría dañarse.
- Mantenga el toldo libre de suciedad, excoriaciones, manchas y moho.
- Cuando cierre el toldo, preste atención a que no se quede enganchada ninguna rama u otros objetos.
- Si el toldo se recoge estando mojado, vuelva a extenderlo y deje que la lona se seque en cuanto pueda. Si la lona húmeda permanece enrollada durante un período prolongado se enmohecerá y podrá desteñirse.

- Limpie las ramas, hojas o similares que haya en la lona.

### Recoger el toldo con la manivela

- Encastre el extremo superior de la manivela en el alojamiento del toldo.
- Gire la manivela hasta que el toldo esté completamente cerrado.
- Asegúrese de que el toldo esté completamente cerrado antes de comenzar a conducir. El carril de plomo debe estar muy cerca del bastidor.
- Descuelgue la manivela del alojamiento del toldo.

### Cierre del toldo con motor (opcional)

- Pulse el botón  hasta que el toldo se haya cerrado completamente.
- Asegúrese de que el toldo esté completamente cerrado antes de comenzar a conducir. El carril de plomo debe estar muy cerca del bastidor.

## 7.4 Fijación del ángulo de inclinación



### NOTA

Al colocar los apoyos, el ángulo de inclinación se puede reducir; véase capítulo “Instalación de los apoyos” en la página 61.

- Gire la tuerca hasta que el toldo llegue al ángulo de inclinación deseado (fig. **4** 1, página 4).

## 7.5 Instalación de los apoyos

### Desplegar los apoyos

- Introduzca completamente el apoyo derecho en la protección delantera, de forma que lo pueda mover libremente (fig. **5**, página 5).
- Gire el apoyo derecho para que quede a un lado (fig. **5**, página 5).
- Abata el apoyo derecho hacia abajo y colóquelo sobre el suelo (fig. **6**, página 5).
- Ajuste el apoyo a la altura deseada (fig. **7**, página 6).
- Abata la palanca del apoyo hacia arriba para sujetarlo (fig. **8**, página 6).
- Recoja el otro apoyo procediendo de la misma manera.

## Colocar el apoyo en el suelo



### ¡ADVERTENCIA! ¡Peligro de sufrir lesiones!

- Coloque el apoyo exclusivamente sobre una base firme.
- Asegure el apoyo para que no resbale.

- Coloque el apoyo de forma vertical debajo del carril de plomo.
- Asegure el apoyo con piquetas (fig. **9**, página 6).
- Coloque un apoyo algo más abajo para que el carril de plomo esté algo inclinado. De esta forma, el agua de lluvia se descarga directamente (fig. **10**, página 7).

## Sujetar el apoyo en el vehículo

Puede sujetar el toldo directamente en el vehículo si ha montado los bloqueos para los apoyos.

- Desplace hacia arriba la cubierta del bloqueo (fig. **11**, página 7).
- Enganche los apoyos en el bloqueo (fig. **11**, página 7).
- Desplace hacia abajo la cubierta del bloqueo (fig. **11**, página 7).
- Coloque un apoyo algo más abajo para que el carril de plomo esté algo inclinado. De esta forma, el agua de lluvia se descarga directamente (fig. **12**, página 7).

## Plegar los apoyos

- Suelte la sujeción de los apoyos (piquetas o bloqueo en el vehículo).
- Abata la palanca del apoyo derecho hacia arriba para soltarlo.
- Retraiga completamente el apoyo.
- Abata el apoyo derecho hacia arriba.
- Gire el apoyo derecho dentro del carril de plomo.
- Desplace la parte inferior del apoyo derecho en el bloqueo del carril de plomo.
- Recoja el otro apoyo procediendo de la misma manera.

## 7.6 Ajuste del motor (opcional)



### NOTA

El motor de 12 V está premontado en el eje de la lona.

- Si el toldo no se cierra o se abre del todo, ajuste el motor de 12 V (fig. **15**, página 8).

## 7.7 Sustitución de las baterías del control remoto y del interruptor de pared (accesorio) (opcional)



### NOTA

Si la luz LED del control remoto **no** se enciende al pulsar uno de los botones, la batería del control remoto estará gastada.

- Abra la carcasa (fig. **16** 1, página 8).
- Retire la batería antigua del soporte.
- Inserte una nueva batería (tipo CR2450 para el control remoto, tipo CR2430 para interruptor de pared, fig. **16** 2, página 8) en el soporte con el polo positivo mirando hacia arriba.
- Vuelva a montar el control remoto o el interruptor de pared.



### ¡Proteja el medio ambiente!

Las baterías y pilas no son basura doméstica.

Entregue las baterías defectuosas o las pilas vacías en un establecimiento o depositelas en un contenedor especializado.

# 8 Limpieza y cuidado

## 8.1 Limpieza



### ¡AVISO! Evite que se produzcan daños.

- No limpie **nunca** el toldo con un limpiador de alta presión.
- No emplee productos de limpieza corrosivos ni objetos duros, ya que pueden deteriorar el producto.

- Retire toda la suciedad (ramas, hojas o similares) que haya sobre la lona para evitar excoiraciones, manchas y moho. El toldo también puede resultar dañado al cerrarlo.

- ▶ Limpie periódicamente la lona del toldo para eliminar el polvo y la suciedad:
  - Para este fin, utilice 30 ml de detergente y 30 ml de lejía disueltos en 10 litros de agua.
  - Enjabone la lona con esta solución de limpieza y déjela actuar durante cinco minutos.
  - Enjuague minuciosamente con agua limpia.Asegúrese de haber eliminado por completo la solución de limpieza con la lejía. De otro modo, la lona podría dañarse.
- Deje que la lona se seque.

**NOTA**

El fabricante recomienda:

Para la limpieza de la lona, utilice el limpiador de toldos de Dometic (n.º de ref. 9600000165, adquirible a través de su socio de servicio).

## 8.2 Lubricación

- ▶ Si es necesario, lubrique las juntas del toldo con cera de parafina, aceite de teflón o aceite de silicona.

## 8.3 Controles

**¡ADVERTENCIA!**

No use el toldo cuando sean necesarios ajustes y reparaciones.

Si descubre daños, póngase en contacto con el socio de servicio del país correspondiente (las direcciones aparecen en el dorso de estas instrucciones).

- ▶ Inspeccione con regularidad el toldo en busca de desequilibrios y desgaste, así como daños en piezas críticas.
- ▶ Controle el toldo a intervalos regulares:
  - ¿Está intacta la lona?
  - ¿Están intactos los brazos y el carril de plomo y no presentan señales de desgaste?
  - ¿El toldo se cierra correctamente?



## 8.4 Apretar los tornillos de las articulaciones de hombro

Los tornillos de las articulaciones se deben volver a apretar después de haber sido sometidas a las primeras solicitaciones:

- después de las primeras vacaciones en que se utilice el toldo
- después de recorrer 20.000 km o pasados seis meses del montaje del toldo (dependiendo del caso que se dé primero)

Los tornillos de la articulación deben comprobarse durante las inspecciones regulares del vehículo.

Diríjase a su socio de servicio para las tareas de apriete de tornillos.

### Indicación para el servicio (fig. 17, página 8)



#### ¡AVISO!

Los brazos del toldo deben estar exentos de carga. Así se evita una distorsión en el par de apriete de los tornillos.

- Alce ligeramente el carril de plomo para que las articulaciones no soporten carga.
- Apriete los dos tornillos a 15 – 25 Nm.

## 8.5 Remiendo de pequeños agujeros en la lona

Usted puede remendar por sí mismo pequeños agujeros en la lona o puntos en los que se desprenda el recubrimiento:

- Utilice un trapo de algodón para frotar alrededor del punto dañado un poco de remiendo de vinilo líquido (nº ref9103104018, disponible a través de su socio de servicio).
- ✓ El remiendo de vinilo líquido disuelve el recubrimiento. Al secarse, el recubrimiento cierra el agujero.
- Antes de volver a cerrar el toldo, espere a que el punto esté seco.

## 9 Solución de averías



### NOTA

Si no puede rectificar un fallo con ayuda de la siguiente tabla, póngase en contacto con el socio de servicio adecuado en su país (vea la parte posterior del manual para consultar la dirección).

Avería	Posible causa	Propuesta de solución
El motor no responde al control remoto.	La batería del control remoto está gastada.	Pulse brevemente uno de los botones $\triangle$ o $\nabla$ . Si la luz LED del control remoto no se enciende, la batería está gastada. Cambie la batería, vea capítulo "Sustitución de las baterías del control remoto y del interruptor de pared (accesorio) (opcional)" en la página 63.
	El control remoto no está emparejado con el motor o lo está de manera incorrecta.	Reprograme el control remoto; véase el manual de instalación.
	No hay alimentación de corriente.	Compruebe las conexiones eléctricas.
	El motor está averiado.	Cierre el toldo manualmente y póngase en contacto con el socio de servicio de su país.

## 10 Garantía

Rige el plazo de garantía legal. Si el producto presenta algún defecto, diríjase a su establecimiento especializado o a la sucursal del fabricante de su país (ver direcciones en el dorso de estas instrucciones).

Para la tramitación de la reparación y de la garantía debe enviar también los siguientes documentos:

- una copia de la factura con fecha de compra,
- el motivo de la reclamación o una descripción de la avería.

## 11 Gestión de residuos

► Deseche el material de embalaje en el contenedor de reciclaje correspondiente.



Cuando vaya a desechar definitivamente el producto, infórmese en el centro de reciclaje más cercano o en un comercio especializado sobre las normas pertinentes de eliminación de materiales.

## 12 Datos técnicos

PerfectWall PW 3800					
Anchura:	4 m	4,5 m	5 m	5,5 m	6 m
Extraído:	2,7 m				
Peso:	43 kg	46 kg	49 kg	53 kg	57 kg

Motor de 12 V	
Tensión de conexión:	12 V $\overline{---}$ (11 – 15 V)
Intensidad de corriente:	7 A
Potencia de salida:	84 W
Par:	35 Nm
Homologación/certificados:	<b>CE</b>

**AVISO!**

- Antes de utilizar, limpar ou realizar a manutenção do aparelho, deve ler o manual e compreender o seu conteúdo.
- Este produto tem de ser montado por um técnico qualificado. Uma montagem incorreta pode provocar ferimentos graves. As modificações no produto podem ser extremamente perigosas e provocar ferimentos graves ou danos no aparelho.
- Este manual tem de ser guardado próximo do produto. O utilizador deve lê-lo atentamente.

## Índice

1	Indicações sobre a utilização do manual . . . . .	69
2	Indicações de segurança . . . . .	69
3	Material fornecido . . . . .	72
4	Acessórios . . . . .	72
5	Utilização adequada . . . . .	73
6	Designação técnica . . . . .	73
7	Acionar o toldo . . . . .	74
8	Limpeza e manutenção . . . . .	78
9	Resolução de falhas . . . . .	81
10	Garantia . . . . .	81
11	Eliminação . . . . .	82
12	Dados técnicos . . . . .	82

# 1 Indicações sobre a utilização do manual

**AVISO!**

**Indicação de segurança:** o incumprimento pode provocar a morte ou ferimentos graves.

**NOTA!**

O incumprimento pode causar danos materiais e pode prejudicar o funcionamento do produto.

**OBSERVAÇÃO**

Informações suplementares sobre a operação do produto.

## 2 Indicações de segurança

**Cumpra as indicações de segurança e as disposições da literatura do fabricante do veículo e das associações profissionais do setor.**

O fabricante não se responsabiliza por danos nos seguintes casos:

- Danos no produto resultantes de influências mecânicas e sobretensões
- Alterações ao produto sem autorização expressa do fabricante
- Utilização para outras finalidades que não as descritas no manual de instruções

**Tenha em atenção as seguintes advertências:**

**AVISO!**

- Antes de iniciar a marcha, verifique se o toldo está totalmente recolhido. Nunca desloque o veículo com o toldo aberto.
- Nunca conduza o veículo com a manivela suspensa. Antes de iniciar a marcha, retire a manivela.
- Não conduza o veículo com a lona danificada ou rasgada, nem mesmo com o toldo devidamente fechado. Os braços do toldo são suportados pela lona. Se a lona rasgar durante a viagem, o toldo solta-se repentinamente. Isto pode provocar ferimentos graves. Fixe o toldo de modo a impedir que o mesmo se abra repentina e inesperadamente durante a marcha.
- **Não** abra o toldo em andamento.
- **Não** abra o toldo na presença de ventos fortes ou de queda de neve.

- Recolha o toldo na presença de ventos fortes, chuva forte ou queda de neve.
- Tenha atenção para que não haja acumulação de água ou de neve na lona. Caso contrário, o toldo pode ficar danificado ou os braços podem partir, provocando assim ferimentos graves ou a morte.
- Não se aproxime do toldo
  - se o mesmo tiver ficado aberto exposto a ventos fortes,
  - se tiverem formado poças de água sobre o mesmo,
  - se existir acumulação de neve sobre o mesmo,
  - se existir sujidade sobre a lona do toldo.O toldo pode mover-se inesperadamente, tornar-se instável e dobrar ou partir-se.
- **Com o motor opcional:** Se o cabo de conexão do toldo estiver danificado, tem de ser substituído por um técnico especializado.
- **Com o motor opcional:** Desligue a fonte de alimentação por meio do interruptor de ligar/desligar antes de limpar o veículo junto do toldo ou o próprio toldo.
- Nunca deixe o toldo aberto sem supervisão. Recolha o toldo antes de prosseguir viagem.
- Enquanto estiver a preparar grelhados com chamas vivas, mantenha-se afastado do toldo. A lona pode ficar danificada devido ao calor e até mesmo incendiar.
- Este aparelho pode ser utilizado por crianças a partir dos 8 anos, assim como por pessoas com capacidades físicas, sensoriais ou mentais reduzidas ou com insuficiente experiência e conhecimento, quando supervisionadas ou quando tenham recebido informação acerca da utilização segura do aparelho e compreendam os perigos dele resultantes.
- **Com o motor opcional: Os aparelhos elétricos não são brinquedos.**  
Guarde o controlo remoto fora do alcance das crianças. Impeça que as crianças brinquem com o interruptor de parede (acessórios).
- As crianças devem ser supervisionadas para garantir que não brincam com o aparelho.

**NOTA!**

- Estacione a autocaravana ou a caravana de modo a evitar a acumulação de sujidade (ramos, folhas ou afins) sobre a lona.

- A lona do toldo deve estar sempre bem esticada, sobretudo nas extremidades. Se a lona não estiver bem esticada, pode roçar nos braços do toldo e ficar danificada.  
Nos toldos compridos, a lona não deve ceder ao centro.
- Recolha o toldo apenas quando este não apresenta sujidade (ramos, folhas ou afins) sobre a lona. Caso contrário, o toldo poderá ficar danificado durante a recolha.
- Mantenha o toldo livre de sujidade para evitar riscos, manchas e bolor.
- Recolha o toldo molhado apenas caso se justifique por motivos de segurança. Volte a abri-lo o mais rapidamente possível. Caso contrário, poderá haver formação de bolor ou manchas ou a cor poderá desbotar.
- Nunca dobre o braço do toldo ou o friso para baixo para escoar a água do toldo. Esta ação pode dobrar o toldo e limitar a sua funcionalidade.
- Não pendure objetos no toldo, na cobertura frontal nem nos braços do toldo.
- Não utilize spray (por ex., spray repelente de insetos, laca para o cabelo) na proximidade do toldo. A lona fica suja ou pode perder a sua impermeabilidade.
- Se, após a montagem do toldo, não houver espaço livre suficiente por cima da porta, esta tem de ficar fechada ao abrir ou recolher o toldo, para evitar um contacto da porta com os braços ou a calha condutora. O espaço livre necessário depende do tipo de construção da porta (largura da porta, porta basculante ou deslizante) assim como do ângulo de inclinação definido para o toldo.

### 3 Material fornecido

Quantidade	Designação
1	Toldo
1	Manivela (apenas toldos sem motor) Manivela de emergência (apenas toldos com motor)
1	Controlo remoto (apenas toldos com motor)
4	Estacas
1	Manual de instruções
1	Instruções de montagem

### 4 Acessórios

Disponível como acessório (não incluído no material fornecido):

Designação
Kit de fixação
Cintas para fixar o toldo
Dometic Light LK120
Kit de lâmpada LED com controlo remoto para montagem nos braços do toldo
Fita de luzes LED
Fita LED disponível em diversos comprimentos para montagem na parte inferior do toldo
Perfis LED
Iluminação LED disponível em diversos comprimentos para montagem na parte inferior dos toldos montados na parede
Agente de limpeza para toldos
Agente de limpeza especial para toldos
Kit de reparação
Remendo para reparação de toldos
Interruptor de parede



## 5 Utilização adequada

O toldo PerfectWall PW3800 é adequado para a montagem em autocaravanas ou caravanas.

O toldo apenas pode ser utilizado com o veículo imobilizado.

## 6 Designação técnica

Os toldos PerfectWall PW3800 podem ser abertos e recolhidos com um motor de 12 V controlado por um controlo remoto ou um interruptor de parede (acessório).

Os toldos PerfectWall PW3800 também podem ser abertos e recolhidos com a ajuda de uma manivela.

O toldo é autoportante. Os apoios integrados podem ser montados na parte lateral do veículo ou no solo para suportar o peso da calha condutora.

### Controlos do controlo remoto (apenas toldos com motor)

N.º na fig. <b>1</b> , página 3	Designação
1	Recolher o toldo
2	Parar
3	Abrir o toldo
4	Ligar/desligar a iluminação LED (acessórios)

### Controlos do interruptor de parede (acessório)

N.º na fig. <b>1</b> , página 3	Designação
1	Recolher o toldo
2	Parar
3	Abrir o toldo
4	Ligar/desligar a iluminação LED (acessórios)

## 7 Acionar o toldo

Respeite as indicações de segurança do capítulo “Indicações de segurança” na página 69.

### 7.1 Indicações sobre a localização do veículo

**AVISO! Perigo de ferimentos.**

Mantenha uma distância suficiente em relação a objetos ou a outros veículos. Depois de aberto, é preciso manter uma distância mínima de 40 cm em relação a outros objetos ou veículos, de todos os lados.

**NOTA!**

- Estacione o veículo de modo a evitar a acumulação de sujidade (ramos, folhas ou afins) sobre a lona.
- Mantenha o toldo livre de sujidade para evitar riscos, manchas e bolor.

### 7.2 Abrir o toldo

#### Abrir o toldo com a manivela

- Encaixe a manivela no orifício do toldo (fig. **2**, página 3).
- Rode a manivela até o toldo ficar colocado na posição pretendida (fig. **3**, página 4).
- Rode a manivela aprox. 1/4 de volta para trás para esticar a lona.

**NOTA! Perigo de danos.**

A lona do toldo deve estar sempre bem esticada, sobretudo nas extremidades. Se a lona não estiver bem esticada, pode roçar nos braços do toldo e ficar danificada.

Nos toldos compridos, a lona não deve ceder ao centro.

- Retire a manivela do orifício do toldo.

## Abrir o toldo com um motor (opcional)



### OBSERVAÇÃO

#### Apenas para utilização com o controlo remoto:

- Quando o veículo começa a trabalhar, o toldo recolhe automaticamente. Enquanto o veículo estiver em funcionamento, o toldo fica bloqueado e não pode ser aberto.
- O recetor emite um sinal sonoro quando é ligado.
- O funcionamento do controlo remoto pode ser influenciado negativamente caso exista outro aparelho a utilizar a mesma frequência na proximidade.
- Guarde o controlo remoto num local seguro enquanto estiver a conduzir. O íman do suporte não foi concebido para ser utilizado com vibrações fortes, como uma travagem brusca.

- Prima o botão ▽ até o toldo ficar colocado na posição pretendida.



### NOTA! Perigo de danos.

A lona do toldo deve estar sempre bem esticada, sobretudo nas extremidades. Se a lona não estiver bem esticada, pode roçar nos braços do toldo e ficar danificada.

Nos toldos compridos, a lona não deve ceder ao centro.

## 7.3 Recolher o toldo



### NOTA!


- Recolha o toldo apenas quando este não apresenta sujidade (ramos, folhas ou afins) sobre a lona. Caso contrário, o toldo poderá ficar danificado durante a recolha.
- Mantenha o toldo livre de sujidade para evitar riscos, manchas e bolor.
- Preste atenção para que durante a recolha do toldo não fiquem presos ramos ou outros objetos.
- Se o toldo for recolhido molhado, volte a abri-lo e deixe a lona secar, assim que possível. Se a lona molhada permanecer enrolada durante um período de tempo mais prolongado, haverá formação de bolor e a lona pode desbotar.

- Remova a sujidade (ramos, folhas ou afins) que se encontra sobre a lona.

### Fechar o toldo com a manivela

- ▶ Encaixe a extremidade superior da manivela no orifício do toldo.
- ▶ Rode a manivela até o toldo estar totalmente recolhido.
- ▶ Certifique-se de que o toldo está totalmente recolhido antes de iniciar a viagem. A calha condutora tem de estar bem encostada à caixa.
- ▶ Retire a manivela do orifício do toldo.

### Fechar o toldo com um motor (opcional)

- ▶ Prima o botão  até o toldo estar completamente fechado.
- ▶ Certifique-se de que o toldo está totalmente recolhido antes de iniciar a viagem. A calha condutora tem de estar bem encostada à caixa.

## 7.4 Ajustar o ângulo de inclinação



### OBSERVAÇÃO

Ao ajustar os apoios, o ângulo de inclinação pode ser reduzido, ver capítulo “Ajustar os apoios” na página 76.

- ▶ Ajuste a porca até que o toldo se encontre no ângulo de inclinação pretendido (fig. **4** 1, página 4).

## 7.5 Ajustar os apoios

### Fixar os apoios

- ▶ Una totalmente e com cuidado o apoio direito com a cobertura frontal, de modo a poder movê-lo livremente (fig. **5**, página 5).
- ▶ Rode o apoio direito para o lado (fig. **5**, página 5).
- ▶ Dobre o apoio direito para baixo e apoie-o no solo (fig. **6**, página 5).
- ▶ Regule o apoio para a altura pretendida (fig. **7**, página 6).
- ▶ Dobre a alavanca do apoio para cima para fixar o apoio (fig. **8**, página 6).
- ▶ Abra o outro apoio da mesma forma.

## Colocar os apoios no solo



### AVISO! Perigo de ferimentos

- Coloque os apoios exclusivamente sobre uma superfície sólida.
- Fixe a posição dos apoios.

- Coloque os apoios na vertical sob a calha condutora.
- Fixe os apoios com estacas (fig. **9**, página 6).
- Regule um dos apoios para uma posição ligeiramente mais baixa para que a calha condutora fique inclinada. Assim, a chuva escorre mais facilmente (fig. **10**, página 7).

## Fixar os apoios no veículo

Poderá fixar o toldo diretamente no seu veículo se tiver montados os sistemas de bloqueio dos apoios.

- Empurre para cima a cobertura do sistema de bloqueio (fig. **11**, página 7).
- Prenda os apoios no sistema de bloqueio (fig. **11**, página 7).
- Empurre para baixo a cobertura do sistema de fixação (fig. **11**, página 7).
- Regule um dos apoios para uma posição ligeiramente mais baixa para que a calha condutora fique inclinada. Assim, a chuva escorre mais facilmente (fig. **12**, página 7).

## Instalar os apoios

- Solte a fixação dos apoios (estacas ou sistema de fixação no veículo).
- Dobre a alavanca do apoio direito para baixo para soltar o apoio.
- Una totalmente os apoios.
- Dobre o apoio direito para cima.
- Rode o apoio direito para dentro da calha condutora.
- Insira a parte inferior do apoio direito no sistema de bloqueio da calha condutora.
- Recolha o outro apoio da mesma forma.

## 7.6 Ajustar o motor (opcional)



### OBSERVAÇÃO

O motor de 12 V está pré-montado no rolo.

- Se o toldo deixar de abrir ou fechar completamente, ajuste o motor de 12 V (fig. 15, página 8).

## 7.7 Substituir as baterias do controlo remoto e do interruptor de parede (acessório) (opcional)



### OBSERVAÇÃO

Se o LED do controlo remoto **não** acender depois de premir um dos botões, a bateria do controlo remoto está descarregada.

- Abra a caixa (fig. 16 1, página 8).
- Retire a antiga bateria do suporte.
- Coloque uma nova bateria (tipo CR2450 para o controlo remoto, tipo CR2430 para o interruptor de parede, fig. 16 2, página 8) no suporte, com o polo positivo voltado para cima.
- Volte a montar o controlo remoto ou o interruptor de parede.



### Proteja o meio ambiente!

As baterias e pilhas não devem ser eliminadas em conjunto com o lixo doméstico.

Entregue as baterias e pilhas danificadas ou gastas no ponto de compra ou num pilhão.

# 8 Limpeza e manutenção

## 8.1 Limpeza



### NOTA! Perigo de danos.

- **Nunca** limpe o toldo com um aparelho de limpeza de alta pressão.
- Não utilize produtos de limpeza abrasivos ou objetos duros para a limpeza, uma vez que podem danificar o produto.

- Remova toda a sujidade (ramos, folhas ou afins) da lona para evitar riscos, manchas e bolor. Além disso, o toldo pode ficar danificado se for recolhido.

- Limpe regularmente a lona do toldo para remover o pó e a sujidade:
  - Para tal, utilize água com 30 ml de agente de limpeza e 30 ml de agente de branqueamento por 10 litros de água.
  - Ensaboe a lona com este líquido de limpeza e deixe atuar durante cinco minutos.
  - Depois, lave bem a lona com água limpa.Certifique-se de que o líquido de limpeza com o agente de branqueamento é totalmente lavado. Caso contrário, a lona pode ficar danificada.
- Deixe a lona secar.

**OBSERVAÇÃO**

O fabricante recomenda:

Para limpar a lona, utilize o agente de limpeza para toldos Dometic (n.º de ref. 9600000165, disponível junto do seu parceiro de assistência técnica).

## 8.2 Lubrificar

- Se necessário, lubrifique as uniões do toldo com cera de parafina, óleo de teflon ou de silicone.

## 8.3 Verificar

**AVISO!**

Não utilize o toldo se for necessário efetuar ajustes ou reparações.

Se detetar danos, por favor, entre em contacto com o parceiro de assistência técnica no seu país (endereços, ver verso do manual).

- Verifique regularmente o toldo quanto a desequilíbrios e desgaste, assim como danos em peças críticas.
- Verifique regularmente o toldo:
  - A lona está danificada?
  - Os braços e a calha condutora estão danificados e/ou existem vestígios de desgaste?
  - O toldo fecha corretamente?

## 8.4 Apertar os parafusos da articulação

É necessário reapertar os parafusos da articulação após aplicação das primeiras cargas:

- após as primeiras férias com utilização do toldo
- após 20 000 km ou seis meses após a montagem do toldo (o que ocorrer primeiro)

É necessário verificar os parafusos das articulações nas inspeções periódicas do veículo.

Para reapertar os parafusos, consulte o seu parceiro de assistência técnica.

### Indicações para a assistência técnica (fig. 17, página 8)

**NOTA!**

Os braços do toldo têm de estar livres de carga, para evitar que o binário de aperto dos parafusos seja deturpado.

- Eleve ligeiramente a calha condutora para que as articulações fiquem livres de carga.
- Reaperte os parafusos com 15 – 25 Nm.

## 8.5 Remendar pequenos furos na lona

Pode remendar pequenos furos na lona ou pequenas partes nas quais o revestimento se solta:

- Aplique um pouco de adesivo de vinil líquido (n.º de ref. 9103104018, disponível junto do seu parceiro de assistência técnica) sobre um pano de algodão e esfregue em volta do local danificado.
- ✓ O adesivo de vinil líquido dissolve o revestimento. A secagem tapa o furo.
- Aguarde que esta zona seque antes de voltar a recolher o toldo.



## 9 Resolução de falhas



### OBSERVAÇÃO

Se não conseguir resolver uma falha com a ajuda da tabela seguinte, contacte o parceiro de assistência técnica do seu país (consultar o verso do manual para obter o endereço).

Falha	Possível causa	Sugestão de solução
O motor não responde ao controlo remoto.	A bateria do controlo remoto está descarregada.	Prima por breves instantes um dos botões $\triangle$ ou $\nabla$ . Se o LED do controlo remoto não acender, a bateria está descarregada. Substitua a bateria. Consulte o capítulo "Substituir as baterias do controlo remoto e do interruptor de parede (acessório) (opcional)" na página 78.
	O controlo remoto já não está configurado para o motor ou não está configurado adequadamente.	Reprograme o controlo remoto, consulte as instruções de montagem.
	Fonte de alimentação não disponível	Verifique as conexões elétricas.
	O motor está avariado.	Recolha o toldo manualmente e contacte o parceiro de assistência técnica do seu país.

## 10 Garantia

É válido o prazo de garantia legal. Se o produto estiver com defeito, por favor, dirija-se ao seu revendedor ou à representação do fabricante no seu país (endereços, ver verso do manual).

Para fins de reparação ou de garantia, terá de enviar os seguintes documentos em conjunto:

- uma cópia da factura com a data de aquisição,
- um motivo de reclamação ou uma descrição da falha.

## 11 Eliminação

- Sempre que possível, coloque o material de embalagem no respectivo contentor de reciclagem.



Para colocar o aparelho definitivamente fora de funcionamento, por favor, informe-se junto do centro de reciclagem mais próximo ou revendedor sobre as disposições de eliminação aplicáveis.

## 12 Dados técnicos

PerfectWall PW 3800					
Largura:	4 m	4,5 m	5 m	5,5 m	6 m
Avanço:	2,7 m				
Peso:	43 kg	46 kg	49 kg	53 kg	57 kg

Motor de 12 V	
Tensão de conexão:	12 V $\overline{\text{---}}$ (11 – 15 V)
Intensidade da corrente:	7 A
Potência de saída:	84 W
Binário:	35 Nm
Inspeção/certificação:	<b>CE</b>



### **AVVERTENZA!**

- Prima dell'utilizzo, della pulizia e della manutenzione è necessario aver letto e compreso bene questo manuale di istruzioni.
- Questo prodotto deve essere montato da personale specializzato. Un montaggio errato può provocare gravi lesioni. Eventuali modifiche al prodotto possono diventare estremamente pericolose e provocare gravi lesioni o danni al dispositivo stesso.
- Questo manuale di istruzioni deve rimanere insieme al prodotto. Il proprietario deve leggerlo attentamente.

## **Indice**

1	Indicazioni per l'uso del manuale di istruzioni . . . . .	84
2	Istruzioni di sicurezza . . . . .	84
3	Dotazione . . . . .	86
4	Accessori . . . . .	87
5	Conformità d'uso . . . . .	87
6	Descrizione delle caratteristiche tecniche . . . . .	87
7	Utilizzo della veranda . . . . .	88
8	Pulizia e cura . . . . .	93
9	Eliminazione dei guasti . . . . .	95
10	Garanzia . . . . .	96
11	Smaltimento . . . . .	96
12	Specifiche tecniche. . . . .	97

# 1 Indicazioni per l'uso del manuale di istruzioni



## AVVERTENZA!

Avviso di sicurezza: la mancata osservanza di questo avviso può causare ferite gravi anche mortali.



## AVVISO!

La mancata osservanza di questa nota può causare danni materiali e compromettere il funzionamento del prodotto.



## NOTA

Informazioni integranti relative all'impiego del prodotto.

## 2 Istruzioni di sicurezza

### Osservare le indicazioni di sicurezza e le condizioni previste dal produttore del veicolo e dalle officine di assistenza!

Il produttore non si assume nessuna responsabilità per danni nei seguenti casi:

- danni al prodotto dovuti a influenze meccaniche o a sovratensioni
- modifiche al prodotto senza esplicita autorizzazione del produttore
- impiego per altri fini rispetto a quelli descritti nel manuale di istruzioni

### Osservare i seguenti avvertimenti:



## AVVERTENZA!

- Prima di mettersi in viaggio, controllare che la veranda sia completamente retratta. Non spostare mai il veicolo con la veranda aperta.
- Non viaggiare mai con la manovella agganciata. Rimuovere la manovella prima di mettersi in viaggio.
- Non guidare il veicolo se il telo è danneggiato o strappato, neanche se la veranda è stata regolarmente retratta. I bracci della veranda vengono tenuti in posizione dal telo. Se il telo si strappa durante il viaggio, la veranda scatta improvvisamente all'infuori. Questo può provocare gravi lesioni. Fissare la veranda in modo tale che non possa estrarsi inavvertitamente durante la marcia.
- **Non** aprire la veranda durante la marcia.

- **Non** aprire la veranda in presenza di forti raffiche di vento o se nevicata.
- Retrarre la veranda se si prevede l'arrivo di forte vento, pioggia intensa o neve.
- Assicurarci che non si accumuli acqua o neve sul telo. Se questo succede, la veranda può danneggiarsi o possono rompersi i bracci provocando così lesioni gravi o mortali.
- Non avvicinarsi alla veranda
  - se è rimasta aperta e c'è vento forte,
  - se vi si sono formati accumuli di acqua,
  - se vi si è depositata neve,
  - se sul telo si trova sporcizia accumulata.
 La veranda può muoversi inaspettatamente, diventare instabile e piegarsi o spezzarsi.
- **Con il motorino opzionale:** se è danneggiato il cavo di collegamento della veranda, deve essere sostituito da personale specializzato.
- **Con il motorino opzionale:** scollegare l'alimentazione tramite l'interruttore on/off prima di pulire il veicolo nelle vicinanze della veranda o la stessa veranda.
- Non lasciare la veranda estratta incustodita. Retrarre la veranda prima di lasciare il posteggio.
- In caso di barbecue o fiamme libere, tenere una distanza di sicurezza dalla veranda. Il telo può danneggiarsi con il calore o prendere fuoco.
- Il presente dispositivo può essere usato sia da bambini dagli 8 anni in su, sia da persone con ridotte capacità fisiche, sensoriali o mentali o con poca esperienza o conoscenze, se non lasciati soli o se istruiti sul suo utilizzo sicuro e in grado di capire i pericoli che possono sorgere.
- **Con il motorino opzionale: gli apparecchi elettrici non sono giocattoli.**  
Tenere il controllo remoto fuori dalla portata dei bambini. Impedire che i bambini possano giocare con l'interruttore a parete (accessorio).
- Controllare che i bambini non giochino con questo dispositivo.



### AVVISO!

- Posizionare il proprio motorhome o caravan in modo tale che sul telo non possa cadere sporcizia (rami, foglie o simili).
- Il telo della veranda non deve allentarsi ai lati, ma rimanere sempre ben teso. Se il telo si allenta, può sfregare sui bracci e venirne danneggiato.  
Nelle verande lunghe il telo non deve pendere al centro.

- Retrarre la veranda solamente se sul telo non vi è sporcizia (rami, foglie o simili), altrimenti la veranda potrebbe danneggiarsi in fase di retractione.
- Tenere la veranda pulita per evitare danneggiamenti, macchie e muffa.
- Retrarre la veranda da bagnata solo in caso di emergenza. Estrarla nuovamente il prima possibile, altrimenti possono formarsi muffa o macchie o il colore può stingersi.
- Non piegare mai verso il basso un braccio della veranda o la mascherina per fare defluire l'acqua. La veranda in questo modo potrebbe piegarsi e il suo funzionamento essere compromesso.
- Non appendere oggetti alla veranda, né sulla mascherina anteriore, né sui bracci.
- Non utilizzare spray (ad es. spray insetticida, lacca per capelli) in prossimità della veranda. Il telo si sporcherebbe o l'effetto idrorepellente del telo potrebbe essere annullato.
- Se dopo il montaggio della veranda non rimane spazio libero sufficiente sopra la porta, quest'ultima deve rimanere chiusa quando la veranda viene estratta o retratta, per impedire che la porta entri in contatto con i bracci o la rotaia di guida.  
Lo spazio libero necessario dipende dal tipo di porta (larghezza della porta, porta a vento, porta scorrevole) e dall'angolo d'inclinazione della veranda.

### 3 Dotazione

Quantità	Descrizione
1	Veranda
1	Manovella (solo verande senza motorino) Manovella di emergenza (solo verande con motorino)
1	Controllo remoto (solo verande con motorino)
4	Picchetti
1	Manuale di istruzioni
1	Istruzioni di montaggio

## 4 Accessori

Disponibili come accessori (non in dotazione):

### Descrizione

Kit di ancoraggio

Cinghie per fissare la veranda

Dometic Light LK120

Kit luci a LED con controllo remoto per il montaggio sui bracci della veranda

LED LightStrip

Striscia a LED disponibile in differenti lunghezze per il montaggio nel lato inferiore della veranda

LED Profile

Illuminazione a LED disponibile in differenti lunghezze per il montaggio sul lato inferiore delle verande a parete

Detergente per veranda

Detergente speciale per la veranda

Kit di riparazione

Toppa di riparazione per veranda

Interruttore a parete

## 5 Conformità d'uso

La veranda PerfectWall PW3800 è adatta per l'installazione su motorhome o caravan.

La veranda può essere utilizzata solamente a veicolo fermo.

## 6 Descrizione delle caratteristiche tecniche

Le verande PerfectWall PW3800 possono essere estratte e retratte con un motorino da 12 V comandato tramite controllo remoto oppure interruttore a parete (accessorio).

Le verande PerfectWall PW3800 possono inoltre essere estratte e retratte con una manovella manuale.

La veranda è autoportante. Le aste integrate possono essere montate a lato del veicolo o a terra per sostenere l'altezza della rotaia di guida.

### Comandi del controllo remoto (solo verande con motorino)

Pos. in fig. 1, pagina 3	Descrizione
1	Retrazione della veranda
2	Stop
3	Estrazione della veranda
4	Interruttore on/off luce a LED (accessorio)

### Comandi dell'interruttore a parete (accessorio)

Pos. in fig. 1, pagina 3	Descrizione
1	Retrazione della veranda
2	Stop
3	Estrazione della veranda
4	Interruttore on/off luce a LED (accessorio)

## 7 Utilizzo della veranda

Osservare le istruzioni per la sicurezza nel capitolo "Istruzioni di sicurezza" a pagina 84.

### 7.1 Indicazioni sul posteggio del veicolo



#### **AVVERTENZA! Rischio di lesioni.**

Mantenere una distanza sufficiente dagli oggetti o da altri veicoli. Dopo aver estratto la veranda, fra questa e gli altri oggetti o veicoli deve esserci una distanza minima di 40 cm su tutti i lati.



**AVVISO!**

- Posizionare il veicolo in modo che sul telo non si depositi sporcizia (rami, foglie o simili).
- Tenere la veranda pulita per evitare danneggiamenti, macchie e muffa.

## 7.2 Estrazione della veranda

### Estrazione della veranda con la manovella

- Inserire la manovella nell'apposita sede della veranda (fig. **2**, pagina 3).
- Ruotare la manovella finché la veranda non viene estratta nella posizione desiderata (fig. **3**, pagina 4).
- Ruotare indietro la manovella di ca. 1/4 di giro per portare il telo in tensione.


**AVVISO! Fare attenzione a non causare danni.**

Il telo della veranda non deve allentarsi ai lati, ma rimanere sempre ben teso. Se il telo si allenta, può sfregare sui bracci e venirne danneggiato. Nelle verande lunghe il telo non deve pendere al centro.

- Disinserire la manovella dall'apposita sede della veranda.

### Estrazione della veranda con un motorino (opzionale)

**NOTA****Solo per l'azionamento con il controllo remoto:**

- Quando il veicolo viene avviato, la veranda è retratta in modo automatico. Durante la marcia del veicolo, la veranda è bloccata e non può essere estratta.
  - Il ricevitore emette un segnale acustico quando viene acceso.
  - Il funzionamento del controllo remoto può essere compromesso da radiodisturbi se un altro dispositivo nelle vicinanze utilizza la stessa frequenza.
  - Conservare il controllo remoto in un luogo sicuro mentre si è alla guida. Il magnete nella sede non è progettato per sopportare forti oscillazioni come quelle generate da una frenata improvvisa.
- Premere il pulsante  finché la veranda non viene estratta nella posizione desiderata.

**AVVISO! Fare attenzione a non causare danni.**

Il telo della veranda non deve allentarsi ai lati, ma rimanere sempre ben teso. Se il telo si allenta, può sfregare sui bracci e venirne danneggiato. Nelle verande lunghe il telo non deve pendere al centro.

## 7.3 Retrazione della veranda

**AVVISO!**


- Retrarre la veranda solamente se sul telo non vi è sporcizia (rami, foglie o simili), altrimenti la veranda potrebbe danneggiarsi in fase di retrazione.
- Tenere la veranda pulita per evitare danneggiamenti, macchie e muffa.
- Durante la retrazione della veranda, fare attenzione che quest'ultima non rimanga bloccata da rami o altri oggetti.
- Se la veranda viene retratta ancora bagnata, estrarla nuovamente per lasciarla asciugare alla prima occasione. Se il telo bagnato rimane arrotolato per lungo tempo, si formano muffe e i colori possono sbiadire.

- Rimuovere la sporcizia (rami, foglie o simili) che si trova sul telo.

### Retrazione della veranda con la manovella

- Agganciare l'estremità superiore della manovella nell'apposita sede della veranda.
- Ruotare la manovella finché la veranda non è completamente retratta.
- Prima di partire, assicurarsi che la veranda sia completamente retratta. La rotaia di guida deve aderire bene all'alloggiamento.
- Disinserire la manovella dall'apposita sede della veranda.

### Retrazione della veranda con un motorino (opzionale)

- Premere il pulsante  finché la veranda non è completamente retratta.
- Prima di partire, assicurarsi che la veranda sia completamente retratta. La rotaia di guida deve aderire bene all'alloggiamento.

## 7.4 Regolazione dell'angolo di inclinazione



### NOTA

Durante la regolazione delle aste è possibile ridurre l'angolo di inclinazione, vedi capitolo "Regolazione delle aste" a pagina 91.

- Regolare il dado finché la veranda non ha assunto l'angolo di inclinazione desiderato (fig. **4** 1, pagina 4).

## 7.5 Regolazione delle aste

### Estrazione delle aste

- Spingere l'asta destra nella mascherina anteriore in modo tale da riuscire a muoverla liberamente (fig. **5**, pagina 5).
- Portare l'asta destra di lato (fig. **5**, pagina 5).
- Aprire l'asta destra verso il basso e posizionarla al suolo (fig. **6**, pagina 5).
- Regolarla all'altezza desiderata (fig. **7**, pagina 6).
- Alzare la leva sull'asta per fissarla (fig. **8**, pagina 6).
- Procedere nello stesso modo per l'altra asta.

### Posizionamento delle aste sul suolo



### AVVERTENZA! Rischio di lesioni

- Posizionare le aste esclusivamente su una base rigida.
- Fare in modo che non scivolino via.

- Posizionare le aste in verticale sotto la rotaia di guida.
- Fissare l'asta al suolo con i picchetti (fig. **9**, pagina 6).
- Regolare un po' più in basso una delle due aste affinché la rotaia di guida presenti una leggera pendenza. In questo modo la pioggia può defluire più facilmente (fig. **10**, pagina 7).

### Fissaggio delle aste al veicolo

È possibile fissare la veranda direttamente al veicolo se sono stati montati gli arresti per le aste.

- Far scorrere verso l'alto la copertura dell'arresto (fig. **11**, pagina 7).

- Agganciare le aste nell'arresto (fig. **11**, pagina 7).
- Far scorrere verso il basso la copertura dell'arresto (fig. **11**, pagina 7).
- Regolare un po' più in basso una delle due aste affinché la rotaia di guida presenti una leggera pendenza. In questo modo la pioggia può defluire più facilmente (fig. **12**, pagina 7).

### Retrazione delle aste

- Liberare le aste dai fissaggi (picchetti o fermi sul veicolo).
- Abbassare la leva dell'asta destra per sbloccare le aste.
- Far scorrere le aste insieme.
- Richiudere in alto l'asta destra.
- Portare l'asta destra nella rotaia di guida.
- Spingere la parte inferiore dell'asta destra nell'arresto della rotaia di guida.
- Retrarre nello stesso modo l'altra asta.

## 7.6 Regolazione del motore (opzionale)



### NOTA

Il motorino da 12 V è premontato nell'albero.

- Se la veranda non si apre o chiude più completamente, eseguire la regolazione del motorino da 12 V (fig. **15**, pagina 8).

## 7.7 Sostituzione delle batterie del controllo remoto e dell'interruttore a parete (accessorio) (opzionale)



### NOTA

Se il LED del controllo remoto **non** si accende dopo aver premuto uno dei pulsanti, la batteria del controllo remoto è scarica.

- Aprire l'alloggiamento (fig. **16** 1, pagina 8).
- Rimuovere la vecchia batteria dalla sede.
- Inserire una batteria nuova (tipo CR2450 per il controllo remoto, tipo CR2430 per l'interruttore a parete, fig. **16** 2, pagina 8) nella sede, con il polo positivo orientato verso l'alto.

- Rimontare il controllo remoto o l'interruttore a parete.



### **Proteggete l'ambiente!**

Gli accumulatori e le batterie non devono essere raccolti insieme ai rifiuti domestici.

Consegnare gli accumulatori difettosi o le batterie usate al rivenditore o presso un centro di raccolta.

## **8 Pulizia e cura**

### **8.1 Pulizia**



#### **AVVISO! Fare attenzione a non causare danni.**

- Non pulire **mai** la veranda con un'idropulitrice.
- Per la pulizia non impiegare oggetti appuntiti o detersivi abrasivi perché potrebbero danneggiare il prodotto.

- Togliere dal telo qualsiasi deposito di sporcizia (rami, foglie o simili) per evitare danneggiamenti, macchie e muffa. La veranda può essere danneggiata anche in fase di retrazione.
- Pulire regolarmente il telo della veranda per rimuovere la polvere e lo sporco:
  - utilizzare 30 ml di detersivo e 30 ml di candeggina diluiti in 10 litri di acqua.
  - Insaponare il telo con questa soluzione e lasciare agire il detergente liquido per cinque minuti.
  - Risciacquare accuratamente con acqua pulita.Assicurarsi che il detergente liquido con la candeggina sia completamente lavato via, altrimenti può danneggiare il telo.
- Lasciar asciugare il telo.



#### **NOTA**

Il produttore raccomanda:

per la pulizia del tessuto utilizzare il detergente per verande Dometic (n. art. 9600000165, disponibile presso il proprio punto di assistenza).

### **8.2 Lubrificazione**

- All'occorrenza lubrificare gli snodi della veranda con cera di paraffina, olio al teflon o al silicone.

### 8.3 Controllo



#### **AVVERTENZA!**

Non utilizzare la veranda se necessita di registrazioni o riparazioni. Se si riscontrano danni, rivolgersi al punto di assistenza del rispettivo Paese (per gli indirizzi, vedi il retro del manuale di istruzioni).

- Ispezionare regolarmente la veranda per verificare che non vi siano sbilanciamenti e usura o danneggiamenti alle parti critiche.
- Controllare regolarmente la veranda:
  - Il telo presenta danneggiamenti?
  - I bracci e la rotaia di guida presentano danneggiamenti o segni di usura?
  - La veranda si chiude correttamente?

### 8.4 Serraggio delle viti nella cerniera posteriore

Le viti nella cerniera posteriore devono essere serrate dopo la prima sollecitazione:

- dopo la prima vacanza in cui si è utilizzata la veranda
- dopo 20.000 km di marcia del veicolo o sei mesi dopo l'installazione della veranda (ciò che si presenta prima)

Le viti della cerniera posteriore devono essere controllate in occasione della regolare ispezione del veicolo.

Per il serraggio delle viti rivolgersi al punto di assistenza.

#### **Istruzioni per il servizio di assistenza (fig. 17, pagina 8)**



#### **AVVISO!**

I bracci della veranda devono essere liberi da carichi affinché la coppia di serraggio delle viti non venga falsata.

- Sollevare leggermente la rotaia di guida per togliere il carico dalla cerniera.
- Stringere le viti con 15 – 25 Nm.

## 8.5 Rammendare le piccole forature nel telo

È possibile rammendare le piccole forature nel telo o nei punti in cui il rivestimento si consuma:

- Con uno straccio di cotone distribuire intorno ai punti danneggiati un po' di cerotto in vinile liquido (n. art. 9103104018, disponibile presso il proprio punto di assistenza).
- ✓ Il cerotto in vinile liquido discioglie leggermente il rivestimento. Il rivestimento chiude il foro mentre si asciuga.
- Attendere che l'area si sia asciugata prima di retrarre di nuovo la veranda.

## 9 Eliminazione dei guasti



### NOTA

Se non si riesce a rimuovere il guasto con l'ausilio della seguente tabella, contattare il punto di assistenza locale (l'indirizzo si trova sul retro del manuale di istruzioni).

Guasto	Possibile causa	Proposta di soluzione
Il motorino non reagisce ai comandi del controllo remoto.	La batteria del controllo remoto è scarica.	Premere brevemente uno dei pulsanti $\triangle$ o $\nabla$ . Se il LED del controllo remoto non si accende, la batteria è scarica.  Sostituire la batteria, vedi capitolo "Sostituzione delle batterie del controllo remoto e dell'interruttore a parete (accessorio) (opzionale)" a pagina 92.
	Il controllo remoto non è più abbinato al motorino o non lo è in modo corretto.	Riprogrammare il controllo remoto, vedi le istruzioni di montaggio.
	Alimentazione elettrica non disponibile	Controllare i collegamenti elettrici.
	Il motorino è guasto.	Retrarre la veranda manualmente e contattare il punto di assistenza nel rispettivo Paese.

## 10 Garanzia

Vale il termine di garanzia previsto dalla legge. Qualora il prodotto risultasse difettoso, La preghiamo di rivolgersi al proprio rivenditore specializzato o alla filiale del produttore del suo Paese (l'indirizzo si trova sul retro del manuale di istruzioni).

Per la riparazione e per il disbrigo delle condizioni di garanzia è necessario inviare la seguente documentazione:

- una copia della fattura con la data di acquisto del prodotto,
- un motivo su cui fondare il reclamo, oppure una descrizione del guasto.

## 11 Smaltimento

- Raccogliere il materiale di imballaggio possibilmente negli appositi contenitori di riciclaggio.




Quando il prodotto viene messo fuori servizio definitivamente, informarsi al centro di riciclaggio più vicino, oppure presso il proprio rivenditore specializzato, sulle prescrizioni adeguate concernenti lo smaltimento.



## 12 Specifiche tecniche

<b>PerfectWall PW 3800</b>					
Larghezza:	4 m	4,5 m	5 m	5,5 m	6 m
Estratta:	2,7 m				
Peso:	43 kg	46 kg	49 kg	53 kg	57 kg

<b>Motore da 12 V</b>	
Tensione di allacciamento:	12 V $\overline{=}$ (11 – 15 V)
Intensità di corrente:	7 A
Potenza di uscita:	84 W
Coppia:	35 Nm
Marchi di controllo:	



### **WAARSCHUWING!**

- Deze handleiding moet voor gebruik, reiniging en onderhoud worden gelezen en begrepen.
- Dit toestel moet door een vakman worden gemonteerd. Onjuiste montage kan leiden tot ernstig letsel. Constructiewijzigingen van het product kunnen zeer gevaarlijk zijn of leiden tot defecten van het toestel.
- Deze handleiding moet bij het product worden bewaard. De eigenaar moet de handleiding nauwkeurig lezen.

## **Inhoudsopgave**

1	Aanwijzingen voor het gebruik van de handleiding . . . . .	99
2	Veiligheidsinstructies . . . . .	99
3	Omvang van de levering . . . . .	102
4	Toebehoren. . . . .	102
5	Gebruik volgens de voorschriften . . . . .	103
6	Technische beschrijving . . . . .	103
7	Luifel bedienen . . . . .	104
8	Reiniging en onderhoud. . . . .	108
9	Verhelpen van storingen. . . . .	111
10	Garantie . . . . .	111
11	Afvoer . . . . .	112
12	Technische gegevens . . . . .	112

# 1 Aanwijzingen voor het gebruik van de handleiding



## **WAARSCHUWING!**

**Veiligheidsaanwijzing:** Het niet naleven kan leiden tot overlijden of ernstig letsel.



## **LET OP!**

Het niet naleven ervan kan leiden tot materiële schade en de werking van het product beperken.



## **INSTRUCTIE**

Aanvullende informatie voor het bedienen van het product.

# 2 Veiligheidsinstructies

**Neem de veiligheidsinstructies en voorschriften van de fabrikant van het voertuig en het garagebedrijf in acht.**

De fabrikant kan in de volgende gevallen niet aansprakelijk worden gesteld voor schade:

- beschadiging van het product door mechanische invloeden en overspanningen
- veranderingen aan het product zonder uitdrukkelijke toestemming van de fabrikant
- gebruik voor andere dan de in de handleiding beschreven toepassingen

**Neem volgende waarschuwingen in acht:**



## **WAARSCHUWING!**

- Controleer voor het vertrek of het luifel volledig opgetrokken is. Beweeg bij een geopend luifel nooit het voertuig.
- Rijd nooit met ingehangen kruk. Haal de kruk voor het rijden eraf.
- Rij niet met het voertuig als de doek beschadigd of ingescheurd is, ook als het luifel reglementair gesloten is. De luifelarmen worden door de doek vastgehouden. Als de doek bij het rijden scheurt, springt het luifel plots los. Dat kan tot zware verwondingen leiden. Bevestig het luifel zodanig dat het tijdens het rijden niet plotseling en onverwacht open kan gaan.

- Open de luifel **niet** tijdens rijden.
- Open het luifel **niet** bij sterke wind of sneeuwval.
- Schuif het luifel in als sterke wind, zware regen of sneeuwval worden verwacht.
- Zorg ervoor dat zich geen water of sneeuw op de doek verzamelt. Anders kan het luifel beschadigd worden of de luifelarmen kunnen afbreken en zo zware verwondingen of de dood veroorzaken.
- Blijf uit de buurt van de luifel
  - als dit tijdens zware wind geopend is
  - als zich waterplassen op het scherm hebben gevormd
  - als het scherm met sneeuw is bedekt
  - als zich veel grof vuil op het scherm bevindt.Het luifel kan onverwacht bewegen, instabiel worden of buigen of afbreken.
- **Met optionele motor:** Als de verbindingkabel van de luifel is beschadigd, moet deze door een deskundige worden vervangen.
- **Met optionele motor:** Ontkoppel de stroomvoorziening met de aan/uit-schakelaar alvorens het voertuig in de buurt van luifel of de luifel zelf te reinigen.
- Laat het neergelaten luifel niet onbeheerd. Trek het luifel op voor u uw standplaats verlaat.
- Houd bij het barbecueën met open vuur voldoende afstand van het luifel. De doek kan door de hitte beschadigd worden of in brand vliegen.
- Dit toestel kan door kinderen vanaf 8 jaar en ouder en door personen met verminderde fysieke, zintuiglijke of geestelijke vermogens of tekortschietende ervaring en kennis gebruikt worden, als ze onder toezicht staan of als hun is uitgelegd hoe ze het toestel veilig kunnen gebruiken. Ook dienen ze inzicht te hebben in de gevaren die het gebruik van het toestel met zich meebrengt.
- **Met optionele motor: Elektrische toestellen zijn geen speelgoed.**  
Bewaar de afstandsbediening buiten het bereik van kinderen. Voorkom dat kinderen met de wandschakelaar spelen (accessoire).
- Kinderen mogen niet met het toestel spelen.

**LET OP!**

- Stel de camper of de caravan zo op dat er geen vuil (takken, bladeren of dergelijke) op de doek terecht kunnen komen.
- Het doek van het luifel mag langs de randen net doorhangen, maar moet steeds strak staan. Als de doek doorhangt, kan ze aan de armen schuren en beschadigd worden.  
Bij lange luifels mag de doek in het midden doorhangen.
- Trek het luifel alleen op als er geen vuil (takken, bladeren of dergelijke) op de doek ligt. Bij het inschuiven kan het luifel anders beschadigd worden.
- Houd de luifel schoon, om schuurplekken, vlekken en schimmel te voorkomen.
- Schuif het luifel uitsluitend uit veiligheidsredenen nat in. Schuif het onmiddellijk weer uit, indien dit mogelijk is. Anders bestaat gevaar voor schimmelvorming, vlekken of verbleken van de kleur.
- Buig nooit een luifelarm of de kap naar onderen om water op het luifel te laten aflopen. De luifel kan hierdoor buigen en de werking kan gehinderd worden.
- Hang geen voorwerpen aan de luifel, noch aan de frontafdekking noch aan de luifelarmen.
- Gebruik geen sprays (bijv. insectenspray, haarspray) in de buurt van de luifel. De doek wordt hierdoor vervuild of het waterafstotende effect van de doek kan hierdoor verloren gaan.
- Als na inbouw van het luifel onvoldoende vrije ruimte boven de deur over is, moet de deur tijdens in- of uitbewegen gesloten blijven om contact van de deur met de armen of de geleiderail te vermijden. De vereiste vrije ruimte hangt af van de bouwwijze van de deur (deurbreedte, wenkende deur of schuifdeur) alsmede van de ingestelde hoek van de luifel.

### 3 Omvang van de levering

Aantal	Beschrijving
1	Luifel
1	Handkruk (alleen luifels zonder motor) Noodkruk (alleen luifels met motor)
1	Afstandsbediening (alleen luifels met motor)
4	Haring
1	Gebruiksaanwijzing
1	Montagehandleiding

### 4 Toebehoren

Als toebehoren verkrijgbaar (niet inbegrepen in de omvang van de levering):

#### Beschrijving

TieDown Kit

Riemen voor het spannen van de luifels

Dometic Light LK120

LED-verlichtingsset met afstandsbediening voor de montage aan de luifelarmen

LED LightStrip

LED-strip beschikbaar in verschillende lengtes voor installatie aan de onderzijde van de luifel

LED-profiel

LED-verlichting beschikbaar in verschillende lengtes voor installatie aan de onderzijde van de wandluifels

Luifelreinigingsmiddel

Speciaal luifelreinigingsmiddel

Reparatieset

Luifelreparatiedoek

Wandschakelaar

## 5 Gebruik volgens de voorschriften

De luifel PerfectWall PW3800 is geschikt voor de montage aan campers of caravans. Het luifel mag alleen bij stilstand gebruikt worden.

## 6 Technische beschrijving

PerfectWall PW3800 luifels kunnen worden uit- en ingeschoven met een 12 V motor die wordt aangestuurd met een afstandsbediening of wandschakelaar (toebehoren).

PerfectWall PW3800 luifels kunnen bovendien met een handkruk worden in- en uitgeschoven.

De luifel is zelfdragend. De geïntegreerde steunen kunnen worden gemonteerd aan de zijkant van het voertuig of op de grond om de hoogte van de geleiderail te dragen.

### Regelingen van de afstandsbediening (alleen luifels met motor)

Pos. in afb. <b>1</b> , pagina 3	Beschrijving
1	Luifel optrekken
2	Stop
3	Luifel neerlaten
4	Schakelaar led-licht aan/uit (accessoire)

### Regelingen van de wandschakelaar (toebehoren)

Pos. in afb. <b>1</b> , pagina 3	Beschrijving
1	Luifel optrekken
2	Stop
3	Luifel neerlaten
4	Schakelaar led-licht aan/uit (accessoire)

## 7 Luifel bedienen

Neem vooral de veiligheidsinstructies in acht in hoofdstuk „Veiligheidsinstructies“ op pagina 99.

### 7.1 Aanwijzingen bij de standplaats van het voertuig



#### **WAARSCHUWING! Gevaar voor verwonding.**

Houd voldoende afstand tot voorwerpen of andere voertuigen. Na het neerlaten moet rondom een minimumafstand tot andere voorwerpen of voertuigen van 40 cm worden aangehouden.



#### **LET OP!**

- Stel het voertuig zodanig op dat er geen vuil (takken, bladeren of dergelijke) op de doek terecht kunnen komen.
- Houd de luifel schoon, om schuurplekken, vlekken en schimmel te voorkomen.

### 7.2 Luifel neerlaten

#### **Luifel met handkruk neerlaten**

- Vergrendel de handkruk in de opname van de luifel (afb. **2**, pagina 3).
- Draai de handkruk tot de luifel in de gewenste stand is neergelaten (afb. **3**, pagina 4).
- Draai de handkruk ca. een 1/4 omdraaiing terug om de doek te spannen.



#### **LET OP! Gevaar voor beschadiging.**

Het doek van het luifel mag langs de randen net doorhangen, maar moet steeds strak staan. Als de doek doorhangt, kan ze aan de armen schuren en beschadigd worden.

Bij lange luifels mag de doek in het midden doorhangen.

- Neem de handkruk uit de opname van de luifel.



## Luifel met handdruk met een motor neerlaten (optioneel)



### INSTRUCTIE

#### Alleen voor bediening met de afstandsbediening:

- Als het voertuig wordt gestart, wordt de luifel automatisch ingeschoven. Als het voertuig beweegt, is de luifel geblokkeerd en kan niet worden neergelaten.
- De ontvanger piept een keer, als hij wordt ingeschakeld.
- Gebruik van de afstandsbediening kan worden beïnvloed door andere apparaten, als deze dichtbij met dezelfde frequentie worden gebruikt.
- Bewaar de afstandsbediening op een veilige plek, als u rijdt. De magneet in de houder is niet ontworpen voor sterke trillingen, zoals plotseling remmen.

- Druk op de knop  tot de luifel in de gewenste stand is neergelaten.



### LET OP! Gevaar voor beschadiging.

Het doek van het luifel mag langs de randen net doorhangen, maar moet steeds strak staan. Als de doek doorhangt, kan ze aan de armen schuren en beschadigd worden.

Bij lange luifels mag de doek in het midden doorhangen.

## 7.3 Luifel optrekken



### LET OP!


- Trek het luifel alleen op als er geen vuil (takken, bladeren of dergelijke) op de doek ligt. Bij het inschuiven kan het luifel anders beschadigd worden.
- Houd de luifel schoon, om schuurplekken, vlekken en schimmel te voorkomen.
- Let er bij het optrekken van de luifel op dat er geen takken of andere voorwerpen worden ingeklemd.
- Als de luifel in natte toestand wordt opgetrokken, deze zo snel mogelijk weer neerlaten en laten drogen. Als het natte doek langdurig opgerold blijft, ontstaat schimmel en kan het doek verkleuren.

- Verwijder vuil (takken, bladeren of dergelijke) dat op de doek ligt.

### Luifel met handkruk inschuiven

- Vergrendel het bovineinde van de handkruk in de opname van het luifel.
- Draai aan de handzwenkel tot het luifel volledig opgetrokken is.
- Controleer of het luifel volledig opgetrokken is voor u vertrekt. De geleiderail moet rechtop tegen de behuizing staan.
- Neem de handkruk uit de opname van de luifel.

### Luifel met handkruk met een motor optrekken (optioneel)

- Druk op de knop  tot de luifel volledig is opgetrokken.
- Controleer of het luifel volledig opgetrokken is voor u vertrekt. De geleiderail moet rechtop tegen de behuizing staan.

## 7.4 De hoek instellen



### INSTRUCTIE

Tijdens het opstellen van de steunen kan de hoek worden gereduceerd, zie hoofdstuk „De steunen opstellen” op pagina 106.

- Stel de groef in tot de luifel zich in de gewenste hoek bevindt (afb. **4** 1, pagina 4).

## 7.5 De steunen opstellen

### De steunen uitklappen

- Schuif de rechter steunen in de frontkap volledig in elkaar zodat deze vrij kunnen bewegen (afb. **5**, pagina 5).
- Draai de rechter steun opzij (afb. **5**, pagina 5).
- Klap de rechter steun omlaag weg en plaats deze op de bodem (afb. **6**, pagina 5).
- Stel de steun in op de gewenste hoogte (afb. **7**, pagina 6).
- Klap de hendel van de steun omhoog om de steun te fixeren (afb. **8**, pagina 6).
- Schuif de andere steun ook in.

## Steunen op de grond plaatsen



### WAARSCHUWING! Gevaar voor verwonding

- Plaats de steunen uitsluitend op een vaste ondergrond.
- Beveilig de steun tegen wegglijden.

- Plaats de steun verticaal onder de geleiderail.
- Beveilig de steun met haringen (afb. **9**, pagina 6).
- Positioneer een van de steunen iets lager zodat de geleiderail in een hoek hangt. Zo kan regen direct weglopen (afb. **10**, pagina 7).

## Steun aan het voertuig bevestigen

U kunt het luifel direct aan uw voertuig bevestigen, indien u de steunvergrendelingen heeft gemonteerd.

- Schuif de afdekking van de vergrendeling omhoog (afb. **11**, pagina 7).
- Hang de steun in de vergrendeling (afb. **11**, pagina 7).
- Schuif de afdekking van de vergrendeling omlaag (afb. **11**, pagina 7).
- Positioneer een van de steunen iets lager zodat de geleiderail in een hoek hangt. Zo kan regen direct weglopen (afb. **12**, pagina 7).

## De steunen inklappen

- Maak de bevestiging van de steunen los (haringen of vergrendeling van het voertuig).
- Klap de hendel van de rechtersteun omlaag om de steun los te maken.
- Schuif de steun volledig in elkaar.
- Klep de rechtersteun omhoog.
- Draai de rechtersteun in de geleiderail.
- Schuif het onderste deel van de rechter steun in de vergrendeling van de geleiderail.
- Schuif de andere steun op dezelfde wijze in.

## 7.6 De motor afstellen (optioneel)



### INSTRUCTIE

De 12-V-motor is voorgesamonteerd in de doekas.

- Indien de luifel niet meer volledig sluit of opent, stelt u de 12-V-motor af (afb. **15**, pagina 8).

## 7.7 De batterijen van de afstandsbediening en de wand-schakelaar vervangen (toebehoren) (optioneel)



### INSTRUCTIE

Als de led van de afstandsbediening na indrukken van een van de toetsen **niet** gaat branden, is de batterij van de afstandsbediening leeg.

- Open de behuizing (afb. **16** 1, pagina 8).
- Neem de oude batterij uit de houder.
- Plaats een nieuwe batterij (type CR2450 voor afstandsbediening, type CR2430 voor wand-schakelaar, afb. **16** 2, pagina 8) in de houder met de pluspolen omhoog.
- Monteer de afstandsbediening of wand-schakelaar.



### Bescherm uw milieu!

Accu's en batterijen horen niet thuis in het huishoudelijke afval.

Geef uw defecte of verbruikte of defecte accu's bij de leverancier of bij een verzamelpunt af.

# 8 Reiniging en onderhoud

## 8.1 Reinigen



### LET OP! Gevaar voor beschadiging.

- Reinig het luifel **nooit** met een hogedrukreiniger.
  - Gebruik voor het reinigen geen bijtende reinigingsmiddelen of harde voorwerpen, het product zou hierdoor kunnen beschadigen.
- Verwijder grondig al het vuil (takken, bladeren en dergelijke) dat op de doek ligt om schuurplekken, vlekken en schimmel te vermijden. Bovendien kan het luifel worden beschadigd, als deze wordt ingeschoven.

- Reinig de doek van het luifel regelmatig om stof en vuil te verwijderen:
  - Gebruik hiervoor water met 30 ml afwasmiddel en 30 ml bleekmiddel op 10 liter water.
  - Zeep de doek daarmee in en laat de reinigingsvloeistof vijf minuten inwerken.
  - Spoel grondig met helder water na.  
Zorg ervoor dat de reinigingsvloeistof met het bleekmiddel volledig afgewassen is. Anders kan de doek beschadigd worden.
  - Laat de doek drogen.

**INSTRUCTIE**

De fabrikant adviseert:

Gebruik voor de reiniging van de doek het Dometic luifelreinigingsmiddel (artikelnr. 9600000165, verkrijgbaar bij uw servicepartner).

## 8.2 Smeren

- Behandel indien nodig de scharnieren van het luifel met paraffinewas of teflon- of siliconeolie.

## 8.3 Controleren

**WAARSCHUWING!**

Gebruik het luifel niet, als instellingen of reparaties moeten worden uitgevoerd.

Als u schade vaststelt, neem dan contact op met de servicepartner in het betreffende land (adressen zie achterkant van de handleiding).

- Controleer het luifel regelmatig op onbalans en slijtage alsmede op beschadiging van kritieke onderdelen.
- Controleer het luifel regelmatig:
  - Is de doek onbeschadigd?
  - Zijn de armen en de geleiderail onbeschadigd en zonder slijtagesporen?
  - Sluit het luifel correct?

## 8.4 Draai de schroeven van de schoudercharnieren vast

De schroeven aan het schoudercharnier moeten na eerste belastingen opnieuw worden vastgedraaid:

- na de eerste vakantie met gebruik van het luifel
- na 20.000<sup>o</sup>km rijden of zes maanden na inbouw van de luifel (welke het eerste is)

Bij de regelmatige voertuiginspectie moeten de schroeven van de achterscharnier worden gecontroleerd.

Neem voor het vastdraaien van de schroeven contact op met uw servicepartner.

### Instructies voor service (afb. 17, pagina 8)



#### LET OP!

De luifelarmen moeten onbelast zijn. Dit om te voorkomen dat de momenten van de schroeven worden veranderd.

- Til de geleiderail iets op zodat de scharnieren lastvrij zijn.
- Draai de schroeven aan met 15 – 25 Nm.

## 8.5 Kleine gaatjes in de doek repareren

Kleine gaatjes in de doek of plaatsen waarop de coating verdwijnt, kunt u zelf repareren:

- Wrijf met een katoenen doek rondom de beschadigde plaats een beetje vloeibare vinylplamuur (artikelnr. 9103104018, verkrijgbaar via uw servicepartner).
- ✓ De vloeibare vinylplamuur lost de coating op. De coating sluit het gat bij het drogen.
- Wacht tot de plaats droog is voor u het luifel opnieuw optrekt.

## 9 Verhelpen van storingen



### INSTRUCTIE

Als een storing niet met de onderstaande tabel kan worden verholpen, neem dan contact op met de desbetreffende servicepartner in uw land (zie de achterzijde van de handleiding voor het adres).

Storing	Mogelijke oorzaak	Voorstel tot oplossing
De motor reageert niet op de afstandsbediening.	De batterij van de afstandsbediening is bijna leeg.	Druk kort op een van de toetsen $\triangle$ of $\nabla$ . Als de led van de afstandsbediening niet gaat branden, is de batterij leeg. Vervang de batterij, zie hoofdstuk „De batterijen van de afstandsbediening en de wandschakelaar vervangen (toebehoren) (optioneel)” op pagina 108.
	De afstandsbediening is niet meer of niet juist voor de motor ingesteld.	Programmeer de afstandsbediening opnieuw, zie de installatiehandleiding.
	Stroomvoorziening niet aanwezig	Controleer de elektrische verbindingen.
	De motor is defect.	Haal de luifel handmatig op en raadpleeg de servicepartner in het desbetreffende land.

## 10 Garantie

De wettelijke garantieperiode is van toepassing. Als het product defect is, wendt u zich tot uw speciaalzaak of tot het filiaal van de fabrikant in uw land (adressen zie achterkant van de handleiding).

Voor de afhandeling van de reparatie of garantie dient u de volgende documenten mee te sturen:

- een kopie van de factuur met datum van aankoop,
- reden van de klacht of een beschrijving van de storing.

## 11 Afvoer

- Laat het verpakkingsmateriaal indien mogelijk recyclen.



Als u het product definitief buiten bedrijf stelt, informeer dan bij het dichtstbijzijnde recyclingcentrum of uw speciaalzaak naar de betreffende afvoervoorschriften.

## 12 Technische gegevens

PerfectWall PW 3800					
Breedte:	4 m	4,5 m	5 m	5,5 m	6 m
Neergelaten:	2,7 m				
Gewicht:	43 kg	46 kg	49 kg	53 kg	57 kg

12-V-motor	
Aansluitspanning:	12 V $\overline{---}$ (11 – 15 V)
Stroomsterkte:	7 A
Uitgangsvermogen:	84 W
Draaimoment:	35 Nm
Keurmerk/certificaat:	<b>CE</b>



**ADVARSEL!**

- Denne vejledning skal læses og forstås før anvendelsen, rengøringen og vedligeholdelsen.
- Dette produkt skal monteres af en fagmand. En forkert montering kan medføre alvorlige kvæstelser. Ombygninger på produktet kan være yderst farlige og medføre alvorlige kvæstelser eller skader på apparatet.
- Denne vejledning skal blive ved produktet. Ejeren skal læse den opmærksomt.

## Indholdsfortegnelse

1	Henvisninger vedr. brug af vejledningen . . . . .	114
2	Sikkerhedshenvisninger . . . . .	114
3	Leveringsomfang. . . . .	116
4	Tilbehør . . . . .	117
5	Korrekt brug . . . . .	117
6	Teknisk beskrivelse . . . . .	117
7	Betjening af markisen . . . . .	118
8	Rengøring og vedligeholdelse. . . . .	123
9	Udbedring af fejl . . . . .	125
10	Garanti . . . . .	125
11	Bortskaffelse . . . . .	126
12	Tekniske data. . . . .	126

# 1 Henvisninger vedr. brug af vejledningen

**ADVARSEL!**

**Sikkerhedshenvisning:** Manglende overholdelse kan medføre død eller alvorlig kvæstelse.

**VIGTIGT!**

Manglende overholdelse kan medføre materielle skader og begrænse produktets funktion.

**BEMÆRK**

Supplerende informationer om betjening af produktet.

## 2 Sikkerhedshenvisninger

**Overhold sikkerhedshenvisningerne og pålæggene, der er foreskrevet af køretøjsproducenten og af automobilbranchen!**

Producenten påtager sig intet ansvar for skader i følgende tilfælde:

- Beskadigelser på produktet på grund af mekanisk påvirkning og overspænding
- Ændringer på produktet uden udtrykkelig tilladelse fra producenten
- Anvendelse til andre formål end dem, der er beskrevet i vejledningen

**Overhold følgende advarselshenvisninger:**

**ADVARSEL!**

- Kontrollér, om markisen er kørt helt ind, før du kører. Flyt ikke køretøjet, når markisen er åbnet.
- Kør aldrig med påsat håndsving. Tag håndsvinget af, før du kører.
- Kør ikke med køretøjet, når dugen er beskadiget eller har revner, selv om markisen er kørt korrekt ind! Markisearmene holdes af dugen. Hvis dugen rives over under kørslen, køres markisen pludseligt ud. Det kan medføre alvorlige kvæstelser. Sørg for at sikre markisen, så den ikke kan køre ud pludseligt og uventet under kørslen.
- Åbn **ikke** markisen under kørslen.
- Åbn **ikke** markisen ved kraftig vind eller i snevejr.

- Kør markisen ind, hvis der forventes kraftig vind, kraftig regn eller snevejr.
- Sørg for, at der ikke samler sig vand eller sne på dugen. Ellers kan markisen blive beskadiget, eller markisearmene kan brække af og forårsage alvorlige kvæstelser eller død.
- Nærm dig ikke markisen,
  - når den blev efterladt åben under kraftig vind,
  - når der har dannet sig vandpytter på den,
  - når der har samlet sig sne,
  - når der befinder sig meget grov smuds på markisens dug.Markisen kan bevæge sig uventet, blive ustabil og bøjes og brække af.
- **Med motor (option):** Hvis markisens tilslutningskabel er beskadiget, skal det udskiftes af en ekspert.
- **Med motor (option):** Afbryd strømforsyningen ved hjælp af tænd/sluk-kontakten, før du rengør køretøjet i nærheden af markisen eller selve markisen.
- Lad ikke den udkørte markise være uden opsyn. Kør markisen ind, før du forlader pladsen.
- Sørg for afstand til markisen, når der grilles med åben ild. Dugen kan blive beskadiget af varmen eller bryde i brand.
- Dette apparat kan anvendes af børn over 8 år og derudover af personer med begrænsede fysiske, sanse- eller mentale evner eller uden erfaring eller viden, hvis de er under opsyn eller blev instrueret i sikker brug af apparatet og forstår farene, der følger heraf.
- **Med motor (option): El-apparater er ikke legetøj!**  
Opbevar fjernbetjeningen uden for børns rækkevidde. Sørg for, at børn ikke leger med vægkontakten (tilbehør).
- Børn bør være under opsyn for at sikre, at de ikke leger med apparatet.



### VIGTIGT!

- Stil autocamperen eller campingvognen, så der ikke kan komme snavs (kviste, blade eller lignende) på dugen.
- Markisens dug må ikke hænge ned ved kanterne, men skal altid være stram. Hvis dugen hænger ned, kan den skure mod armene og blive beskadiget.  
Ved lange markiser må dugen hænge ned i midten.

- Kør kun markisen ind, når der ikke ligger snavs (kviste, blade eller lignende) på dugen. Ellers kan markisen blive beskadiget, når den køres ind.
- Hold markisen fri for smuds for at forhindre afskrabninger, pletter og skimmel.
- Kør kun markisen ind i våd tilstand af sikkerhedsmæssige årsager. Kør den ud igen, så snart det er muligt. I modsat fald kan der dannes skimmel eller pletter, eller farven kan blegne.
- Bøj aldrig en markisearm eller afskærmningen ned for at lade vand løbe af markisen. Derved kan markisen blive bøjet, og dens funktion reduceres.
- Hæng ikke genstande på markisen, hverken på den forreste afskærmning eller på markisearmene.
- Anvend ikke sprays (f.eks. insektspray, hårspray) i nærheden af markisen. Derved bliver dugen snavset, eller dugens afperlende effekt kan gå tabt.
- Hvis der ikke er tilstrækkeligt frirum over døren, når markisen er monteret, skal døren forblive lukket, når den køres ind eller ud, så døren ikke kommer i kontakt med armene eller styreskinnen.  
Den påkrævede frirum afhænger af dørens konstruktionstype (dørbredde, dreje- eller skydedør) samt den indstillede hældningsvinkel for markisen.

### 3 Leveringsomfang

Antal	Betegnelse
1	Markise
1	Håndsving (kun markiser uden motor) Nødhåndsving (kun markiser med motor)
1	Fjernbetjening (kun markiser med motor)
4	Pløkke
1	Betjeningsvejledning
1	Monteringsvejledning

## 4 Tilbehør

Kan fås som tilbehør (ikke indeholdt i leveringsomfanget):

### Betegnelse

TieDown-sæt

Remme til at spænde markisen

Dometic Light LK120

Lysdiodelyssæt med fjernbetjening til montering på markisearmene

LED LightStrip

LED-bånd kan fås i forskellige længder til montering på undersiden af markisen

LED Profile

Lysdiodelys kan fås i forskellige længder til montering på undersiden af vægmonterede markiser

Markiserengøringsmiddel

Specielt markiserengøringsmiddel

Reparationssæt

Reparationslap til markise

Vægkontakt

## 5 Korrekt brug

Markisen PerfectWall PW3800 er egnet til montering på autocampere eller campingvogne.

Markisen må ikke anvendes under kørsel.

## 6 Teknisk beskrivelse

Markiserne PerfectWall PW3800 kan køres ud og ind med en 12 V-motor, som styres med en fjernbetjening eller vægkontakt (tilbehør).

PerfectWall PW3800 kan derudover køres ind og ud ved hjælp af et håndsving.

Markisen er selvstøttende. De integrerede støtter kan monteres på siden af køretøjet eller på jorden for at støtte styreskinnens højde.

**Betjeningsenheder på fjernbetjeningen (kun markiser med motor)**

Pos. på fig. 1, side 3	Betegnelse
1	Indkøring af markisen
2	Stop
3	Udkøring af markisen
4	Kontakt lysdiodelys tænd/sluk (tilbehør)

**Betjeningsenheder på vægkontakten (tilbehør)**

Pos. på fig. 1, side 3	Betegnelse
1	Indkøring af markisen
2	Stop
3	Udkøring af markisen
4	Kontakt lysdiodelys tænd/sluk (tilbehør)

## 7 Betjening af markisen

Overhold sikkerhedshenvisningerne i kapitlet „Sikkerhedshenvisninger“ på side 114.

### 7.1 Henvisninger vedr. placering af køretøjet

**ADVARSEL! Fare for kvæstelser.**

Hold tilstrækkelig afstand til genstande og andre køretøjer. Når der er kørt ind, skal der hele vejen rundt være en minimumafstand til andre genstande eller køretøjer på 40 cm.

**VIGTIGT!**

- Stil køretøjet, så der ikke kan komme snavs (kviste, blade eller lignende) på dugen.
- Hold markisen fri for smuds for at forhindre afskrabninger, pletter og skimmel.

## 7.2 Udkøring af markisen

### Udkøring af markisen med håndsving

- Lad håndsvinget gå i indgreb i markisens holder (fig. **2**, side 3).
- Drej håndsvinget, indtil markisen er kørt ud til den ønskede stilling (fig. **3**, side 4).
- Drej håndsvinget ca. en 1/4 omdrejning tilbage, så dugen strammes.

**VIGTIGT! Fare for skade.**

Markisens dug må ikke hænge ned ved kanterne, men skal altid være stram. Hvis dugen hænger ned, kan den skure mod armene og blive beskadiget.

Ved lange markiser må dugen hænge ned i midten.

- Tag håndsvinget ud af markisens holder.

### Udkøring af markisen med en motor (option)

**BEMÆRK****Kun til betjening med fjernbetjeningen:**

- Når køretøjet startes, kører markisen automatisk ind. Mens køretøjet kører, er markisen blokeret og kan ikke køres ud.
- Modtageren bipper en gang, når den tændes.
- Fjernbetjeningens funktion kan påvirkes ved interferens, hvis et andet apparat anvendes i nærheden på den samme frekvens.
- Opbevar fjernbetjeningen på et sikkert sted, mens du kører. Magneten i holderen er ikke beregnet til kraftige vibrationer som f.eks. pludselig opbremsning.

- Tryk på knappen ▽, indtil markisen er kørt ud til den ønskede stilling.

**VIGTIGT! Fare for skade.**

Markisens dug må ikke hænge ned ved kanterne, men skal altid være stram. Hvis dugen hænger ned, kan den skure mod armene og blive beskadiget.

Ved lange markiser må dugen hænge ned i midten.

## 7.3 Indkøring af markisen



### VIGTIGT!


- Kør kun markisen ind, når der ikke ligger snavs (kviste, blade eller lignende) på dugen. Ellers kan markisen blive beskadiget, når den køres ind.
- Hold markisen fri for smuds for at forhindre afskrabninger, pletter og skimmel.
- Sørg for, at grene eller andre genstande ikke kommer i klemme, når markisen køres ind.
- Hvis markisen køres ind, mens den er våd, skal den køres ud igen og dugen tørre, så snart det er muligt. Hvis den våde dug er rullet sammen i længere tid, dannes der skimmel, og dugen kan falme.

- Fjern snavs (kviste, blade og lignende), der ligger på dugen.

### Indkøring af markisen med håndsving

- Fastgør den øverste ende af håndsvinget i markisens holder.
- Drej håndsvinget, indtil markisen er kørt helt ind.
- Kontrollér, at markisen er kørt helt ind, før du kører. Styreskinnen skal ligge tæt op mod huset.
- Tag håndsvinget ud af markisens holder.

### Indkøring af markisen med en motor (option)


- Tryk på knappen , indtil markisen er kørt helt ind.
- Kontrollér, at markisen er kørt helt ind, før du kører. Styreskinnen skal ligge tæt op mod huset.

## 7.4 Indstilling af hældningsvinklen



### BEMÆRK

Når støtterne opstilles, kan hældningsvinklen reduceres, se kapitlet „Opstilling af støtterne“ på side 121.

- Justér møtrikken, indtil markisen er i den ønskede hældningsvinkel (fig.  1, side 4).



## 7.5 Opstilling af støtterne

### Opstilling af støtterne

- Skub den højre støtte i den forreste afskærmning fuldstændigt sammen, så du kan bevæge den frit (fig. **5**, side 5).
- Drej den højre støtte til side (fig. **5**, side 5).
- Klap den højre støtte ned, og stil den på jorden (fig. **6**, side 5).
- Indstil støtten på den ønskede højde (fig. **7**, side 6).
- Klap støttens håndtag op for at fastgøre støtten (fig. **8**, side 6).
- Kør den anden støtte ud på samme måde.

### Placering af støtterne på jorden



#### **ADVARSEL! Fare for kvæstelser!**

- Stil kun støtterne på fast undergrund.
- Sørg for at sikre støtterne mod at glide væk.

- Stil støtterne lodret under styreskinnen.
- Sørg for at sikre støtterne med pløkker (fig. **9**, side 6).
- Indstil en af støtterne lidt lavere, så styreskinnen hænger lidt skråt. Så kan regn nemmere løbe af (fig. **10**, side 7).

### Fastgørelse af støtterne på køretøjet

Du kan fastgøre markisen direkte på dit køretøj, når låsene for støtterne har monteret.

- Skub låsens afdækning op (fig. **11**, side 7).
- Sæt støtterne ind i låsen (fig. **11**, side 7).
- Skub låsens afdækning ned (fig. **11**, side 7).
- Indstil en af støtterne lidt lavere, så styreskinnen hænger lidt skråt. Så kan regn nemmere løbe af (fig. **12**, side 7).

### Isætning af støtterne

- Løsn støtternes fastgørelse (pløkker eller lås på køretøjet).
- Klap den højre støttes håndtag ned for at løsne støtten.

- Skub støtterne fuldstændigt sammen.
- Klap den højre støtte op.
- Drej den højre støtte ind i styreskinnen.
- Skub den nederste del af den højre støtte ind i styreskinnens lås.
- Kør den anden støtte ind på samme måde.

## 7.6 Justering af motoren (option)



### BEMÆRK

12 V-motoren er formonteret i dugakslen.

- Hvis markisen ikke længere lukkes eller åbnes fuldstændigt, skal du indstille 12 V-motoren (fig. **15**, side 8).

## 7.7 Udskiftning af fjernbetjeningens og vægkontaktens batterier (tilbehør) (option)



### BEMÆRK

Hvis lysdioden på fjernbetjeningen **ikke** lyser, når der trykkes på en af knapperne, er fjernbetjeningens batteri afladet.

- Åbn huset (fig. **16** 1, side 8).
- Fjern det gamle batteri fra holderen.
- Sæt et nyt batteri (type CR2450 til fjernbetjening, type CR2430 til vægkontakt, fig. **16** 2, side 8) i holderen, så den positive pol vender op.
- Saml fjernbetjeningen eller vægkontakten igen.



### Beskyt miljøet!

Genopladelige og ikke genopladelige batterier hører ikke til i husholdningsaffaldet.

Aflever defekte genopladelige batterier og brugte batterier hos forhandleren eller ved et indsamlingssted.

## 8 Rengøring og vedligeholdelse

### 8.1 Rengøring

**VIGTIGT! Fare for skade.**

- Rengør **aldrig** markisen med en højtryksrenser.
- Anvend ikke skrabe rengøringsmidler eller hårde genstande ved rengøringen, da de kan beskadige produktet.

- Fjern al smuds (grene, blade eller lignende), der ligger på dugen, for at undgå afskrabninger, pletter og skimmel. Derudover kan markisen beskadiges, når den køres ind.
- Rengør markisens dug regelmæssigt for at fjerne støv og snavs:
  - Anvend dertil vand med 30 ml opvaskemiddel og 30 ml blegemiddel i forhold til 10 l vand.
  - Indsæb dugen dermed, og lad rengøringsvæsken virke i fem minutter.
  - Skyl grundigt med rent vand.  
Sørg for, at rengøringsvæsken med blegemidlet er vasket helt af. I modsat kan dugen blive beskadiget.
  - Lad dugen tørre.

**BEMÆRK**

Producenten anbefaler:

Anvend Dometic markise-rengøringsmiddel (ref.nr. 9600000165, fås hos din servicepartner) for at rengøre dugen.

### 8.2 Smøring

- Smør efter behov markisens led med paraffinvoks, teflon- eller siliconeolie.

### 8.3 Kontrol

**ADVARSEL!**

Anvend ikke markisen, når indstillinger eller reparationer er nødvendig. Kontakt servicepartneren i det pågældende land (adresser, se vejledningens bagside), hvis du konstaterer skader.

- Undersøg regelmæssigt markisen for ulige vægt og slid samt for beskadigelser på kritiske dele.

- Kontrollér regelmæssigt markisen:
  - Er dugen ubeskadiget?
  - Er armene og styreskinnen ubeskadigede og uden slidspor?
  - Lukker markisen korrekt?

## 8.4 Efterspændning af på det bageste hængsel

Skruerne på det bageste hængsel skal efterspændes efter de første belastninger:

- efter den første ferie med brug af markisen
- efter 20000 km kørt km eller seks måneder efter monteringen af markisen (afhængigt af, hvad der indtræder først).

Skruerne på det bageste hængsel skal kontrolleres ved den regelmæssige inspektion af køretøjet.

Kontakt en servicepartner i forbindelse med efterspændingen af skruerne.

### Anvisning i forbindelse med service (fig. 17, side 8)



#### VIGTIGT!

Markisearmene skal være uden belastning. Det sker for at forhindre, at skruernes fastspændingsmoment bliver forkert.

- Løft styreskinnen lidt, så hængslet er uden belastning.
- Efterspænd skruerne med 15 – 25 Nm.

## 8.5 Reparation af små huller i dugen

Små huller i dugen eller steder, hvor belægningen løsner sig, kan du selv reparere:



- Gnid lidt flydende vinylplaster (ref.nr. 9103104018, kan bestilles hos din servicepartner) omkring det beskadigede sted med en bomuldsklud.
- ✓ Det flydende vinylplaster opløser belægningen lidt. Belægningen lukker hullet, når den tørrer.
- Vent, indtil stedet er tørret, før du igen kører markisen ind.

## 9 Udbedring af fejl



### BEMÆRK

Hvis du ikke kan udbedre en fejl ved hjælp af følgende tabel, skal du kontakte den relevante servicepartner i dit land (se bagsiden af vejledningen for adressen).

Fejl	Mulig årsag	Løsningsforslag
Motoren reagerer på fjernbetjeningen.	Fjernbetjeningens batteri er afladet.	Tryk kortvarigt på en af knapperne  eller  . Hvis fjernbetjeningens lysdiode ikke lyser, er batteriet er afladet. Udskift batteriet, se kapitlet „Udskiftning af fjernbetjeningens og vægkontaktens batterier (tilbehør) (option)” på side 122.
	Fjernbetjeningen er ikke længere eller ikke korrekt indstillet til motoren.	Programmér fjernbetjeningen igen, se monteringsvejledningen.
	Strømforsyning ikke til rådighed	Kontrollér de elektriske forbindelser.
	Motoren er defekt.	Kør markisen ind manuelt, og kontakt servicepartneren i det pågældende land.

## 10 Garanti

Den lovbestemte garantiperiode gælder. Hvis produktet er defekt, skal du kontakte din forhandler eller producentens afdeling i dit land (adresser, se vejledningens bagside).

Ved reparation eller krav om garanti skal du medsende følgende bilag:

- En kopi af regningen med købsdato
- En reklamationsgrund eller en fejlbeskrivelse

## 11 Bortskaffelse

- Bortskaf så vidt muligt emballagen sammen med det tilsvarende genbrugsaffald.



Hvis du tager produktet endegyldigt ud af drift, skal du kontakte det nærmeste recyclingcenter eller din faghandel for at få de pågældende forskrifter om bortskaffelse.

## 12 Tekniske data

PerfectWall PW 3800					
Bredde:	4 m	4,5 m	5 m	5,5 m	6 m
Kørt ud:	2,7 m				
Vægt:	43 kg	46 kg	49 kg	53 kg	57 kg

12 V-motor	
Tilslutningsspænding:	12 V $\overline{=}$ (11 – 15 V)
Strømstyrke:	7 A
Udgangseffekt:	84 W
Drejemoment:	35 Nm
Godkendelse/certifikat:	<b>CE</b>

**VARNING!**

- Bruksanvisningen måste läsas och förstås före användning, rengöring och underhåll.
- Produkten måste monteras av en fackman. Vid felaktig montering föreligger risk för svåra personskador. Egenhändigt utförda modifieringar av produkten är förenat med betydande fara och kan leda till allvarliga personskador eller skador på produkten.
- Bruksanvisningen måste förvaras vid produkten. Innehavaren måste läsa den noggrant.

## Innehållsförteckning

1	Information om bruksanvisningen . . . . .	128
2	Säkerhetsanvisningar . . . . .	128
3	Leveransomfattning. . . . .	130
4	Tillbehör . . . . .	131
5	Ändamålsenlig användning . . . . .	131
6	Teknisk beskrivning. . . . .	131
7	Använda markisen. . . . .	132
8	Rengöring och skötsel . . . . .	137
9	Felsökning . . . . .	139
10	Garanti. . . . .	139
11	Avfallshantering. . . . .	139
12	Tekniska data. . . . .	140

# 1 Information om bruksanvisningen

**VARNING!**

**Observera:** Beaktas anvisningen ej kan det leda till dödsfara eller svåra skador.

**OBSERVERA!**

Om anvisningarna inte beaktas kan det leda till materialskador och produktens funktion kan påverkas negativt.

**ANVISNING**

Kompletterande information om användning av produkten.

## 2 Säkerhetsanvisningar

### Beakta säkerhetsanvisningarna och riktlinjerna från fordonstillverkaren samt reglerna för bilmekaniska arbeten.

Tillverkaren övertar inget ansvar för skador i följande fall:

- skador på produkten, orsakade av mekanisk påverkan eller överspänning
- ändringar som utförts utan uttryckligt medgivande från tillverkaren
- ej ändamålsenlig användning

#### Beakta följande varningar:

**VARNING!**

- Kontrollera att markisen är helt infälld innan körningen påbörjas. Kör aldrig fordonet när markisen är öppen.
- Kör aldrig med veven insatt. Ta bort veven innan körningen påbörjas.
- Kör inte fordonet om duken är skadad eller har en reva, även om markisen är helt infälld. Markisarmarna hålls fast av duken. Om duken rivs av under färd kan armarna åka ut. Det kan orsaka allvarliga skador. Fixera markisen så att den inte plötsligt eller oväntat åker ut under färd.
- Öppna **inte** markisen under körningen.
- Öppna **inte** markisen vid kraftig blåst eller snöfall.
- Fäll in markisen om det väntas kraftig blåst, ihållande regn eller snöfall.



- Se till att inte vatten eller snö samlas på duken. Annars kan markisen skadas eller så kan markisarmarna brytas av och på så sätt kan allvarliga skador eller dödsfall orsakas.
- Kom inte för nära markisen:
  - om den lämnats öppen vid stark blåst
  - om det bildats vattenpölar på den
  - om snö har hopats på den
  - om markisduken är kraftigt nedsmutsad.Annars kan markisen oväntat börja röra på sig, bli ostadig och deformeras eller gå av.
- **Med alternativ motor:** Om markisens anslutningskabel är skadad måste den bytas ut av en expert.
- **Med alternativ motor:** Använd På/Av-knappen för att stänga av strömtillförseln innan du rengör fordonet i närheten av markisen eller själva markisen.
- Lämna inte den utfällda markisen utan uppsikt. Fäll in markisen innan du lämnar uppställningsplatsen.
- Grilla inte med öppen eld i närheten av markisen. Duken kan skadas av hettan eller fatta eld.
- Denna apparat kan användas av barn från 8 år samt av personer med fysiska, sensoriska eller mentala funktionshinder och personer som saknar erfarenhet och kunskap, under förutsättning att de använder den under uppsikt eller har fått instruktioner om hur apparaten används på ett säkert sätt och känner till ev. risker i samband med användningen.
- **Med alternativ motor: Elapparater är inga leksaker.** Förvara fjärrkontrollen utom räckhåll för barn. Förhindra barn från att leka med väggkontakten (tillbehör).
- Barn måste hållas under uppsikt, så att de inte leker med apparaten.



### OBSERVERA!

- Ställ husbilen eller husvagnen på en plats där inte smuts (kvistar, löv eller liknande) kan falla ner på duken.
- Markisens duk får inte hänga ner vid kanterna, utan måste vara spänd. Om markisen hänger ner kan den skava mot armarna och skadas. På långa markiser måste duken hänga ner i mitten.
- Fäll inte in markisen om det ligger smuts på duken (kvistar, löv eller liknande). Annars riskerar markisen att skadas när den fälls in.
- Se till att det inte hamnar smuts på markisen så att det inte uppstår skav, fläckar eller mögel.

- Om markisen är våt får du bara fälla in den av säkerhetsskäl. Fäll sedan ut den så fort som möjligt igen. Annars kan det bildas mögel eller fläckar på markisen eller färgen kan blekna.
- Böj aldrig ner en markisarm eller kappan för att ta bort vatten på markisen. Markisen kan böjas och orsaka skador på funktionen.
- Häng inga föremål på markisen, varken på frontlisten eller markisarmarna.
- Använd inga sprayer (t.ex. insektsspray, hårspray) i närheten av markisen. Duken kan smutsas ner eller så kan impregneringen skadas.
- Om det inte finns tillräckligt mycket fritt utrymme över dörren när markisen har monterats, ska dörren vara stängd när markisen fälls ut och in. På så sätt undviker man att armarna eller skenan vidrör dörren. Det fria utrymmet varierar beroende på dörrens konstruktion (dörrens bredd, svängdörr eller skjutdörr) och markisens inställda lutningsvinkel.

### 3 Leveransomfattning

Kvantitet	Beskrivning
1	Markis
1	Handvev (endast markiser utan motor) Vev för nödstängning (endast markiser med motor)
1	Fjärrkontroll (endast markiser med motor)
4	Pinne
1	Bruksanvisning
1	Monteringsanvisning

## 4 Tillbehör

Följande tillbehör finns tillgängliga (ingår inte i leveransen):

### Beskrivning

TieDown Kit

Remmar för fastspänning av markisen

Dometic Light LK120

LED-belysningssett med fjärrkontroll för montering på markisarmarna

LED LightStrip

LED-list finns i olika längder för montering på markisens undersida

LED-profil

LED-belysning finns i olika längder för montering på undersidan av väggmonterade markiser

Markisrengöringsmedel

Specialrengöringsmedel för markis

Reparationssats

Reparationslapp för markis

Väggkontakt

## 5 Ändamålsenlig användning

Markisen PerfectWall PW3800 ska monteras på husbilar eller husvagnar.

Markisen får endast användas när husbilen/husvagnen står stilla.

## 6 Teknisk beskrivning

PerfectWall PW3800-markiser kan fällas ut och in med hjälp av en 12 V-motor som man styr via en fjärrkontroll eller väggkontakt (tillbehör).

PerfectWall PW3800-markiser kan dessutom fällas ut och in med en handvev.

Markisen är självbärande. Man kan välja att antingen montera de inbyggda stöden på fordonets sida eller på markisen som stöd för skenhöjden.

**Fjärrkontrollens reglage (endast markiser med motor)**

Pos. på bild <b>1</b> , sida 3	Beskrivning
1	Fälla in markisen
2	Stoppa
3	Fälla ut markisen
4	Slå på/stänga av LED-belysning (tillbehör)

**Väggkontaktens reglage (tillbehör)**

Pos. på bild <b>1</b> , sida 3	Beskrivning
1	Fälla in markisen
2	Stoppa
3	Fälla ut markisen
4	Slå på/stänga av LED-belysning (tillbehör)

## 7 Använda markisen

Följ säkerhetsanvisningarna i kapitel "Säkerhetsanvisningar" på sidan 128.

### 7.1 Information om fordonets uppställningsplats

**WARNING! Risk för skador!**

Lämna tillräckligt stort avstånd till föremål eller andra fordon. Efter att markisen har fällts ut måste avståndet vara minst 40 cm till andra föremål eller fordon runt om markisen.

**OBSERVERA!**

- Ställ fordonet på en plats där inte smuts (kvistar, löv eller liknande) kan falla ner på duken.
- Se till att det inte hamnar smuts på markisen så att det inte uppstår skav, fläckar eller mögel.

## 7.2 Fälla ut markisen

### Fälla ut markisen med handvev

- ▶ Haka fast handveven i markisens hållare (bild **2**, sida 3).
- ▶ Veva handveven tills markisen har fällts ut till önskad längd (bild **3**, sida 4).
- ▶ Veva tillbaka handveven cirka 1/4 varv så att duken spännas.



#### **OBSERVERA! Risk för saksador!**

Markisens duk får inte hänga ner vid kanterna, utan måste vara spänd. Om markisen hänger ner kan den skava mot armarna och skadas. På långa markiser måste duken hänga ner i mitten.

- ▶ Lösgör handveven från markisens hållare.

### Fälla ut markisen med en motor (tillval)



#### **ANVISNING**

##### **Endast vid användning av fjärrkontroll:**

- Markisen fälls in automatiskt när fordonet startas. Medan motorn är igång är markisen blockerad och kan inte fällas ut.
- Mottagaren avger en pipsignal när den kopplas till.
- Fjärrkontrollen kan påverkas av radiostörningar om en annan apparat i närheten använder samma frekvens.
- Förvara fjärrkontrollen på en säker plats medan du kör. Magneten i hållaren är inte utformad för kraftiga vibrationer, som uppstår t.ex. vid plötsliga inbromsningar.

- ▶ Tryck på knappen  tills markisen har fällts ut till önskad längd.



#### **OBSERVERA! Risk för saksador!**

Markisens duk får inte hänga ner vid kanterna, utan måste vara spänd. Om markisen hänger ner kan den skava mot armarna och skadas. På långa markiser måste duken hänga ner i mitten.

## 7.3 Fälla in markisen



### OBSERVERA!


- Fäll inte in markisen om det ligger smuts på duken (kvistar, löv eller liknande). Annars riskerar markisen att skadas när den fälls in.
- Se till att det inte hamnar smuts på markisen så att det inte uppstår skav, fläckar eller mögel.
- Se till att inga grenar eller andra föremål kläms fast när markisen fälls in.
- Om markisen fälls in när den är våt, fäll ut den igen och låt duken torka så fort detta är möjligt. Om den blöta duken inte fälls ut i tid, kan mögel bildas och duken blekna.

- Ta bort all smuts (kvistar, löv eller liknande) som ligger på duken.

### Fälla in markisen med handvev

- Haka i handvevens övre ände i markisens hållare.
- Vrid handveven tills markisen är helt infälld.
- Kontrollera att markisen är helt infälld innan körningen påbörjas. Skenan måste ligga tätt mot höljet.
- Lösgör handveven från markisens hållare.

### Fälla in markisen med en motor (tillval)

- Tryck på knappen  tills markisen är helt och hållet infälld.
- Kontrollera att markisen är helt infälld innan körningen påbörjas. Skenan måste ligga tätt mot höljet.

## 7.4 Ställa in lutningsvinkeln



### ANVISNING

När man ställer in stöden kan man reducera lutningsvinkeln, se kapitel "Ställa in stöden" på sidan 135.

- Justera muttern tills markisen har önskad lutningsvinkel (bild  1, sida 4).

## 7.5 Ställa in stöden

### Ställa upp stöden

- Skjut ihop stödet i höger frontkappa så att du kan röra det fritt (bild **5**, sida 5).
- Vrid det högra stödet åt sidan (bild **5**, sida 5).
- Fäll ner det högra stödet och ställ det på marken (bild **6**, sida 5).
- Ställ in stödet i önskad höjd (bild **7**, sida 6).
- När du vill fixera stödet fäller du upp spaken till stöden (bild **8**, sida 6).
- Kör ut det andra stödet på exakt samma sätt.

### Ställa upp stöden på golvet



#### **VARNING! Risk för skador!**

- Stöden får bara ställas upp på fast underlag.
- Säkra stöden så att de inte glider iväg.

- Placera stöden i lodrätt läge under skenan.
- Fixera stöden med pinnar (bild **9**, sida 6).
- Placera ett av stöden lite djupare så att skenan hänger lite på sned. Detta gör att regnvatten kan rinna av enklare (bild **10**, sida 7).

### Fästa stöden i fordonet

Markisen kan fästas direkt i fordonet när du har monterat stödlåsen.

- Flytta låsskyddet uppåt (bild **11**, sida 7).
- Fäst stöden i låset (bild **11**, sida 7).
- Flytta låsskyddet nedåt (bild **11**, sida 7).
- Placera ett av stöden lite djupare så att skenan hänger lite på sned. Detta gör att regnvatten kan rinna av enklare (bild **12**, sida 7).

### Installera stöden

- Lossa på stödets fästianordningar (pinnar eller lås på fordonet).
- När du vill lossa på stöden fäller du ner spaken till det högra stödet.
- Skjut ihop stöden helt och hållet.
- Fäll upp det högra stödet.

- Vrid in det högra stödet i skenan.
- Skjut in det högra stödets underdel i låset i skenan.
- Fäll in det andra stödet på exakt samma sätt.

## 7.6 Justera motorn (tillval)



### ANVISNING

12 V-motorn är förmonterad i dukens axel.

- Ställ in 12 V-motorn (bild **15**, sida 8) om markisen inte längre öppnas eller stängs fullständigt.

## 7.7 Byta batterier i fjärrkontrollen och väggkontakten (tillbehör) (tillval)



### ANVISNING

Om lysdioden på fjärrkontrollen **inte** tänds efter att man tryckt på en av knapparna, innebär det att fjärrkontrollens batteri är tomt.

- Öppna höljet (bild **16** 1, sida 8).
- Avlägsna det gamla batteriet från hållaren.
- Sätt i ett nytt batteri (typ CR2450 för fjärrkontroll, typ CR2430 för väggkontakt, bild **16** 2, sida 8) i hållaren med pluspolen vänd uppåt.
- Sätt ihop fjärrkontrollen eller väggkontakten igen.



### Skydda miljön!

Varken laddningsbara batterier eller andra batterier hör hemma i hushållssoporna.

Lämna dina förbrukade eller defekta (laddningsbara) batterier till återförsäljaren eller till ett insamlingsställe.



## 8 Rengöring och skötsel

### 8.1 Rengöring

**OBSERVERA! Risk för saksador!**

- Använd **aldrig** högtryckstvätt för att rengöra markisen.
- Använd inga starka rengöringsmedel eller hårda föremål vid rengöring, det kan skada produkten.

- Ta bort all slags smuts (kvistar, löv eller liknande) som ligger på duken så att det inte uppstår skav, fläckar eller mögel. Dessutom kan markisen skadas när den fälls in.
- Rengör markisens duk regelbundet för att ta bort damm och smuts:
  - Använd vatten med 30 ml diskmedel och 30 ml blekmedel till 10 liter vatten.
  - Gnugga in rengöringsvätskan på duken och låt den verka i fem minuter.
  - Spola ordentligt med rent vatten.  
Se till att rengöringsvätskan med blekmedlet är helt borttvättad. Annars kan duken skadas.
  - Låt duken torka.

**ANVISNING**

Tillverkaren rekommenderar:

Använd Dometics rengöringsmedel för markiser för rengöring av duken (art.nr 9600000165, erhålls från din servicepartner).

### 8.2 Smörja

- Smörj vid behov markisens leder med paraffinvax, teflon- eller silikonolja.

### 8.3 Kontrollera

**VARNING!**

Markisen får inte användas när apparaten behöver ställas in eller repareras.

Om du hittar några skador, kontakta din servicepartner (adresser hittar du på bruksanvisningens baksida).

- Kontrollera med jämna mellanrum om markisen är i obalans, uppvisar slitage eller är skadad på kritiska platser.

- Kontrollera markisen regelbundet:
  - Är duken oskadad?
  - Är armarna och skenan oskadade och utan tecken på slitage?
  - Stängs markisen på rätt sätt?

## 8.4 Efterdra skruvarna i länkarna

Skruvarna på länken måste efterdras efter den första belastningen:

- efter den första semestern när markisen använts
- efter 20000 km körning eller sex månader efter montering av markisen (beroende på vad som inträffar först)

Skruvarna på det bakre lockfästet måste kontrolleras vid den regelbundna fordonsbesiktningen.

Kontakta din servicepartner när skruvarna ska efterdras.

### Anvisningar för service (bild 17, sida 8)



#### **OBSERVERA!**

Markisens armar får inte utsättas för någon belastning. Syftet med detta är att förhindra att skruvarnas åtdragningsmoment påverkas negativt.

- Lyft skenan lite så att gångjärnet inte belastas.
- Dra åt skruvarna med 15–25 Nm.

## 8.5 Laga små hål i duken

Små hål i duken eller skador på beläggningen kan du laga själv:

- Gnid in lite flytande vinyl med en bomullstrasa runt det skadade stället (artikelnr: 9103104018, finns hos din servicepartner).
- ✓ Den flytande vinylen löser upp beläggningen. Beläggningen stänger hålet när den torkar.
- Vänta tills platsen är torr innan du fäller in markisen igen.

## 9 Felsökning



### ANVISNING

Om du inte kan åtgärda ett fel med följande tabell, kontakta den aktuella servicepartnern i ditt land (adresser finns på bruksanvisningens baksida).

Fel	Möjlig orsak	Lösning
Motorn svarar inte på fjärrkontrollen.	Fjärrkontrollens batteri är tomt.	Tryck kort på knappen $\triangle$ eller $\nabla$ . Om fjärrkontrollens lysdiod inte tänds är batteriet tomt.  Byt batteriet, se kapitel "Byta batterier i fjärrkontrollen och väggkontakten (tillbehör) (tillval)" på sidan 136.
	Fjärrkontrollen är inte längre eller är felaktigt inställd till motorn.	Programmera fjärrkontrollen på nytt, se monteringsanvisningen.
	Strömförsörjning saknas	Kontrollera elkablarna.
	Motorn är defekt.	Fäll in markisen manuellt och kontakten servicepartnern i det aktuella landet.

## 10 Garanti

Den lagstadgade garantitiden gäller. Om produkten är defekt: kontakta återförsäljaren eller tillverkarens kontor i ditt land (adresser, se bruksanvisningens baksida).

Vid reparations- resp. garantiärenden ska följande skickas med:

- en kopia på fakturan med inköpsdatum,
- en reklambeskrivning/felbeskrivning.

## 11 Avfallshantering


► Lämna om möjligt förpackningsmaterialet till återvinning.



När produkten slutgiltigt tas ur bruk: informera dig om gällande bestämmelser hos närmaste återvinningscentral eller hos återförsäljaren.

## 12 Tekniska data

PerfectWall PW 3800					
Bredd:	4 m	4,5 m	5 m	5,5 m	6 m
Utfall:	2,7 m				
Vikt:	43 kg	46 kg	49 kg	53 kg	57 kg

12 V-motor	
Anslutningsspänning:	12 V $\overline{=}$ (11–15 V)
Strömstyrka:	7 A
Uteffekt:	84 W
Vridmoment:	35 Nm
Provning/certifikat:	



### ADVARSEL!

- Før bruk, rengjøring og vedlikehold må du lese og forstå denne veiledningen.
- Dette produktet må monteres av en fagperson. Feil montering kan føre til alvorlige personskader. Ombygginger på produktet kan være svært farlig og føre til alvorlige personskader eller til skader på apparatet.
- Denne veiledningen skal oppbevares sammen med produktet. Eieren må lese nøye gjennom den.

## Innholdsfortegnelse

1	Tips for bruk av bruksanvisningen . . . . .	142
2	Sikkerhetsregler . . . . .	142
3	Leveringsomfang. . . . .	144
4	Tilbehør . . . . .	145
5	Forskriftsmessig bruk . . . . .	145
6	Teknisk beskrivelse . . . . .	145
7	Betjene markisen. . . . .	146
8	Rengjøring og stell . . . . .	151
9	Utbedring av feil . . . . .	153
10	Garanti. . . . .	153
11	Avfallsbehandling . . . . .	154
12	Tekniske spesifikasjoner . . . . .	154

# 1 Tips for bruk av bruksanvisningen

**ADVARSEL!**

**Sikkerhetsregel:** Hvis man ikke overholder denne regelen, kan det føre til død eller alvorlig skade.

**PASS PÅ!**

Hvis man ikke overholder denne regelen, kan det føre til materielle skader og skade funksjonen til produktet.

**MERK**

Utfyllende informasjon om bruk av produktet.

## 2 Sikkerhetsregler

**Følg sikkerhetsregler og vilkår fra kjøretøyprodusent og serviceverksteder.**

Produsenten tar i følgende tilfeller intet ansvar for skader:

- Skader på produktet på grunn av mekanisk påvirkning og overspenninger
- Endringer på produktet uten at det er gitt uttrykkelig godkjenning av produsenten
- Bruk til andre formål enn det som er beskrevet i veiledningen

**Overhold disse advarslene:**

**ADVARSEL!**

- Før turen starter, må du kontrollere om markisen er kjørt helt inn. Ikke sett kjøretøyet i bevegelse mens markisen er åpen.
- Kjør aldri med sveiven hengt inn. Ta av sveiven før du skal kjøre.
- Ikke kjør kjøretøyet hvis duken er skadet eller revet opp, selv om markisen er forskriftsmessig lukket. Markisearmene holdes på plass av duken. Hvis duken går i stykker under kjøring, farer markisen plutselig ut. Dette kan føre til alvorlige personskader. Sikre markisen slik at den ikke kan kjøres plutselig og uventet ut under kjøring.
- Markisen må **ikke** åpnes under kjøringen.
- **Ikke** åpne markisen når det er kraftig vind eller snør.
- Kjør inn markisen hvis det er forventet kraftig vind eller regn eller snø.

- Påse at det ikke samler seg vann eller snø på duken. Ellers kan markisen bli skadet, eller markisearmene kan knekke og dermed føre til alvorlige personskader eller også dødsfall.
- Ikke opphold deg i nærheten av markisen
  - hvis den er blitt stående ute i kraftig vind
  - hvis det har dannet seg vanddammer på den
  - hvis det har samlet seg snø på den
  - hvis det er mye grov smuss på markisedukenMarkisen kan bevege seg uventet, bli ustabil og bli bøyd eller knekke.
- **Med motor (ekstrautstyr):** Hvis tilkoblingskabelen til markisen er skadet, må den skiftes av fagfolk.
- **Med motor (ekstrautstyr):** Koble fra strømtilførselen ved hjelp av av/på-bryteren før du rengjør kjøretøyet i nærheten av markisen eller selve markisen.
- Ikke la en utkjørt markise være uten oppsyn. Kjør inn markisen før du forlater oppholdsstedet ditt.
- Grilling med åpen ild må utføres i sikker avstand fra markisen. Duken kan bli ødelagt av varmen, eller den kan ta fyr.
- Dette apparatet kan brukes av barn fra 8 år og oppover, og av personer med nedsatte fysiske, sensoriske eller mentale evner eller manglende erfaring og kunnskap, når de er under oppsikt eller har fått opplæring i sikker bruk av apparatet og hvilke farer som er forbundet med det.
- **Med motor (ekstrautstyr): Elektriske apparater er ikke beregnet for barn.**  
Oppbevar fjernkontrollen utenfor barns rekkevidde. Forhindre at barn leker med veggbrytere (ekstrautstyr).
- Barn skal være under tilsyn for å sikre at de ikke leker med apparatet.



### PASS PÅ!

- Plasser bobilen eller campingvognen slik at det ikke kan komme smuss (greiner, løv eller lignende) på duken.
- Duken på markisen må ikke være slakk langs kantene, men må hele tiden være stram. Hvis duken er slakk, kan den gni borti armene og bli ødelagt.  
På lange markiser kan duken henge ned i midten.
- Kjør inn markisen kun når det ikke er smuss på duken (greiner, løv e.l.). I motsatt fall kan markisen bli skadet når den kjøres inn.
- Hold markisen fri for smuss for å hindre slitaskader, flekker og mugdanning.

- En våt markise kan kjøres inn tilstand kun av sikkerhetsmessige årsaker. Kjør den ut igjen så snart som mulig. I motsatt fall kan det danne seg mugg eller flekker, eller fargen kan blekne.
- Bøy aldri en markisearm eller veggen ned for å fjerne vannet på markisen. Dette kan føre til at markisen bøyer seg for mye, slik at funksjonen blir redusert.
- Ikke heng gjenstander på markisen, verken på frontveggen eller på markisearmene.
- Ikke bruk noen form for spray (f. eks. insektspray, hårspray) i nærheten av markisen. Duken blir tilsmusset eller impregneringen kan bli redusert.
- Hvis det ikke er tilstrekkelig klaring over døren etter at markisen er montert, må døren være lukket mens man kjører markisen inn og ut for å unngå at døren kommer i kontakt med armene eller frontlisten. Nødvendig klaring avhenger av dørens konstruksjonsmåte (dør-bredde, sving- eller skyvedør) og av innstilt helningsvinkel på markisen.

### 3 Leveringsomfang

Antall	Betegnelse
1	Markise
1	Sveiv (kun markiser uten motor) Nødsveiv (kun markiser med motor)
1	Fjernkontroll (kun markiser med motor)
4	Plugg
1	Bruksanvisning
1	Monteringsveiledning



## 4 Tilbehør

Tilgjengelig som tilbehør (ikke inkludert i leveransen):

### Betegnelse

TieDown-sett

Remmer for stabilisering av markisen

Dometic Light LK120

LED-belysningssett med fjernkontroll for montering på markisearmene

LED LightStrip

LED-stripe tilgjengelig i forskjellige lengder for installasjon på undersiden av markisen

LED-profil

LED-lys tilgjengelig i forskjellige lengder for installasjon på undersiden av veggmonterte markiser

Markiserens

Spesiell markiserens

Reparasjonssett

Markise-reparasjonslapp

Veggbryter

## 5 Forskriftsmessig bruk

Markisen PerfectWall PW3800 er egnet for montering på bobiler og campingvogner.

Markisen må kun benyttes mens kjøretøyet står stille.

## 6 Teknisk beskrivelse

PerfectWall PW3800-markiser kan kjøres ut og inn med en 12 V motor som styres med en fjernkontroll eller en veggbryter (tilbehør).

PerfectWall PW3800-markiser kan dessuten kjøres ut og inn med en håndsveiv.

Markisen er selvbærende. De integrerte støttene kan monteres på siden av kjøretøyet eller på bakken for å støtte opp frontlisten.

## Kontroller på fjernkontrollen (kun markiser med motor)

Pos. i fig. 1, side 3	Betegnelse
1	Kjøre inn markisen
2	Stopp
3	Kjør ut markisen
4	Bryter LED-belysning på/av (ekstrautstyr)

## Kontroller på veggbryteren (tilbehør)

Pos. i fig. 1, side 3	Betegnelse
1	Kjøre inn markisen
2	Stopp
3	Kjør ut markisen
4	Bryter LED-belysning på/av (ekstrautstyr)

# 7 Betjene markisen

Følg sikkerhetsreglene i kapittel «Sikkerhetsregler» på side 142.

## 7.1 Anvisninger om plassering av kjøretøyet



### ADVARSEL! Fare for personskader.

Ha tilstrekkelig avstand til gjenstander eller andre kjøretøy. Når markisen er kjørt ut, må det være en minimumsavstand på 40 cm til andre gjenstander eller kjøretøy.



### PASS PÅ!

- Plasser kjøretøyet slik at det ikke kan komme smuss (greiner, løv eller lignende) på duken.
- Hold markisen fri for smuss for å hindre slitasjeskader, flekker og muggdannelse.

## 7.2 Kjøre ut markisen

### Kjøre ut markisen med håndsveiv

- Sett håndsveiven inn i festet på markisen (fig. **2**, side 3).
- Drei håndsveiven til markisen er kjørt ut til ønsket posisjon (fig. **3**, side 4).
- Drei håndsveiven ca. en kvart omdreining tilbake, slik at duken strammes.



#### **PASS PÅ! Fare for ødeleggelse.**

Duken på markisen må ikke være slakk langs kantene, men må hele tiden være stram. Hvis duken er slakk, kan den gni borti armene og bli ødelagt.

På lange markiser kan duken henge ned i midten.

- Ta håndsveiven ut av festet på markisen.

### Kjøre ut markisen med motor (ekstraustyr)



#### **MERK**

#### **Kun for betjening med fjernkontrollen:**

- Når kjøretøyet blir startet, trekkes markisen inn automatisk. Når kjøretøyet kjører, er markisen blokkert og kan ikke kjøres ut.
- Mottakeren piper en gang når den blir slått på.
- Betjeningen av fjernkontrollen kan bli påvirket av interferens hvis en annen enhet på samme frekvens brukes i nærheten.
- Oppbevar fjernkontrollen på et sikkert sted mens du kjører. Magneten i holderen er ikke beregnet på kraftige vibrasjoner, som ved plutselig bremsing.

- Trykk på knappen ▽ til markisen er kjørt ut til ønsket posisjon.



#### **PASS PÅ! Fare for ødeleggelse.**

Duken på markisen må ikke være slakk langs kantene, men må hele tiden være stram. Hvis duken er slakk, kan den gni borti armene og bli ødelagt.

På lange markiser kan duken henge ned i midten.

## 7.3 Kjøre inn markisen



### PASS PÅ!


- Kjør inn markisen kun når det ikke er smuss på duken (greiner, løv e.l.). I motsatt fall kan markisen bli skadet når den kjøres inn.
- Hold markisen fri for smuss for å hindre slitasjeskader, flekker og muggdannelse.
- Når markisen kjøres inn, må du påse at greiner eller andre gjenstander ikke kommer i klem.
- Hvis markisen kjøres inn når den er våt, kjør den ut igjen og la duken tørke ved neste mulighet. Hvis den våte duken er rullet inn over lengre tid, vil det danne seg mugg på duken og duken kan blekne.

- Fjern smuss (greiner, løv og lignende) som ligger på duken.

### Kjøre inn markisen med hånd sveiv

- Sett den øverste enden på hånd sveiven inn i festet på markisen.
- Drei hånd sveiven til markisen er kjørt helt inn.
- Kontroller at markisen er kjørt helt inn før du kjører. Føringskinnen må ligge helt inntil kapslingen.
- Ta hånd sveiven ut av festet på markisen.

### Kjøre inn markisen med motor (ekstra utstyr)

- Trykk på knappen  til markisen er kjørt helt inn.
- Kontroller at markisen er kjørt helt inn før du kjører. Føringskinnen må ligge helt inntil kapslingen.

## 7.4 Stille inn hellingsvinkel



### MERK

Når man setter opp støttene kan hellingsvinkelen reduseres, se kapittel «Sette opp støttene» på side 149.

- Juster mutteren til markisen har fått ønsket hellingsvinkel (fig. **4** 1, side 4).

## 7.5 Sette opp støttene

### Stille opp støttene

- Skyv den høyre støtten i frontveggen helt sammen slik at du kan bevege den fritt (fig. **5**, side 5).
- Drei den høyre støtten til siden (fig. **5**, side 5).
- Vipp den høyre støtten ned og bort og sett den ned på bakken (fig. **6**, side 5).
- Still inn støtten i ønsket høyde (fig. **7**, side 6).
- Vipp hendelen på støtten opp for å sette fast støtten (fig. **8**, side 6).
- Kjør inn den andre støtten på samme måte.

### Plassere støttene på bakken



#### **ADVARSEL! Fare for personskader**

- Støtten skal kun plasseres på et fast underlag.
- Sikre støtten slik at de ikke kan gli.

- Plasser støttene loddrett under føringskinnen.
- Sikre støttene med plugger (fig. **9**, side 6).
- Still inn den ene støtten litt lavere, slik at føringskinnen henger litt på skrå. Da kan regnet renne av lettere (fig. **10**, side 7).

### Feste støttene på kjøretøyet

Du kan feste markisen direkte på kjøretøyet hvis du har montert festene for støttene.

- Skyv opp dekslet på festet (fig. **11**, side 7).
- Sett støttene inn i festet (fig. **11**, side 7).
- Skyv ned dekslet på festet (fig. **11**, side 7).
- Still inn den ene støtten litt lavere, slik at føringskinnen henger litt på skrå. Da kan regnet renne av lettere (fig. **12**, side 7).

### Sette inn støttene

- Løsne festene på støttene (plugger eller fester på kjøretøyet).
- Vipp hendelen på den høyre støtten ned for å løsne støtten.
- Skyv støtten helt sammen.

- Vipp den høyre støtten oppover.
- Drei den høyre støtten inn i føringskinnen.
- Skyv den nederste delen på høyre støtte inn i festet på føringskinnen.
- Kjør inn den andre støtten på samme måte.

## 7.6 Justere motoren (ekstrautstyr)



### MERK

12 V-motoren er formontert i dukrøret.

- Hvis markisen ikke lenger lukker eller åpner seg helt, må du stille inn 12 V-motoren (fig. **15**, side 8).

## 7.7 Skifte batterier i fjernkontroll og veggbryter (tilbehør) (ekstrautstyr)



### MERK

Hvis LED-en til fjernkontrollen **ikke** tennes når man trykker på en av knappene, er batteriet til fjernkontrollen utladet.

- Åpne huset (fig. **16** 1, side 8).
- Fjern det gamle batteriet fra holderen.
- Sett inn et nytt batteri (type CR2450 for fjernkontroll, type CR2430 for veggbryter, fig. **16** 2, side 8) i holderen med den positive terminalen oppover.
- Monter fjernkontrollen eller veggbryteren igjen.



### Bevar miljøet!

Batterier hører ikke hjemme i husholdningsavfallet.

Lever defekte eller brukte batterier enten til forhandleren eller på en oppsamlingsstasjon.

## 8 Rengjøring og stell

### 8.1 Rengjøring



#### **PASS PÅ! Fare for ødeleggelse.**

- Markisen må **aldri** rengjøres med høytrykksspyler.
- Bruk ikke slipende vaskemidler eller harde gjenstander til rengjøring, da det kan skade produktet.

- Fjern all smuss (greiner, løv eller lignende) som ligger på duken for å hindre slitasjeskader, flekker og muggdannelse. I tillegg kan markisen bli skadet når den kjøres inn.
- Rengjør duken på markisen regelmessig for å fjerne støv og smuss:
  - Bruk vann med 30 ml oppvaskmiddel og 30 ml blekemiddel til 10 l vann.
  - Påfør såpe på duken og la rengjøringsvæsken virke i fem minutter.
  - Skyll grundig med rent vann.  
Påse at rengjøringsvæsken med blekemiddelet er blitt skylt helt bort. Ellers kan duken bli skadet.
  - La duken tørke.



#### **MERK**

Produsenten anbefaler:

Bruk Dometic markise-rensemiddel til rengjøring av duken (art.nr. 9600000165, tilgjengelig hos din servicepartner).

### 8.2 Smøring

- Ved behov kan leddene på markisen smøres med en parafinvoks eller teflon- eller silikonolje.

### 8.3 Kontroller



#### **ADVARSEL!**

Ikke bruk markisen når det må utføres innstillinger eller reparasjoner på den.

Hvis du oppdager skader, ta kontakt med servicepartnern i respektive land (adresser finner du på baksiden av veiledningen).

- Undersøk markisen regelmessig med tanke på ubalanse og slitasje og skader på kritiske deler.

- Kontrollere markisen regelmessig:
  - Er duken hel?
  - Er armene og føringskinnen uten skader og uten tegn til slitasje?
  - Lukker markisen korrekt?

## 8.4 Trekk til skruene på skulderleddet

Skruene på skulderleddet må trekkes til etter de første belastningene:

- etter den første feriedagen med bruk av markisen
- etter kjørt 20 000 km eller seks måneder etter montering av markisen (avhengig av hva som inntreffer først)

Skruene på skulderleddet må kontrolleres under den regelmessige kjøretøyinspeksjonen.

Kontakt din servicepartner for stramming av skruene.

### Anvisning for service (fig. 17, side 8)



#### **PASS PÅ!**

Markisearmene må ikke belastes. Dette er for å hindre at festemomentet til skruene blir forandret.

- Løft føringskinnen litt slik at leddene er uten belastning.
- Trekk til skruene med 15 – 25 Nm.

## 8.5 Reparere små hull i duken

Små hull i duken eller steder der belegget løsner, kan du reparere selv:

- Bruk en bomullsklut og gni rundt det ødelagte stedet med litt flytende vinylplaster (ref.nr. 9103104018, kan kjøpes hos din servicepartner).
- ✓ Det flytende vinylplasteret løsner belegget. Belegget lukker hullet når det tørker.
- Vent til stedet er blitt tørt før du kjører markisen inn igjen.



## 9 Utbedring av feil



### MERK

Hvis du ikke er i stand til å rette en feil ved hjelp av følgende tabell, kontakt den aktuelle servicepartner i ditt land (se baksiden av håndboken for adresse).

Feil	Mulig årsak	Forslag til løsning
Motoren responderer ikke på fjernkontrollen.	Batteriet til fjernkontrollen er utladet.	Trykk kort på en av knappene $\triangle$ eller $\nabla$ . Hvis LED-en til fjernkontrollen ikke lyser, er batteriet utladet. Skift batteri, se kapittel «Skifte batterier i fjernkontroll og veggbryter (tilbehør) (ekstraustyr)» på side 150.
	Fjernkontrollen er ikke lenger korrekt parett med motoren.	Programmer fjernkontrollen igjen, se monteringsanvisningen.
	Ingen strømforsyning tilgjengelig	Kontroller de elektriske forbindelsene.
	Motoren er defekt.	Trekk tilbake markisen manuelt og kontakt servicepartneren i det aktuelle landet.

## 10 Garanti

Lovmessig garantitid gjelder. Hvis produktet skulle være defekt, kontakter du din faghandler eller produsentens filial i ditt land (du finner adressene på baksiden av veiledningen).

Ved henvendelser vedrørende reparasjon eller garanti, må du sende med følgende dokumentasjon:

- kopi av kvitteringen med kjøpsdato,
- årsak til reklamasjonen eller beskrivelse av feilen.

## 11 Avfallsbehandling

- Lever emballasje til resirkulering så langt det er mulig.



Når du tar produktet ut av drift for siste gang, må du sørge for å få informasjon om deponeringsforskrifter hos nærmeste resirkuleringsstasjon eller hos din faghandler.

## 12 Tekniske spesifikasjoner

PerfectWall PW 3800					
Bredde:	4 m	4,5 m	5 m	5,5 m	6 m
Uttrekk:	2,7 m				
Vekt:	43 kg	46 kg	49 kg	53 kg	57 kg

12 V-motor	
Tilkoblingsspenning:	12 V $\overline{\text{---}}$ (11 – 15 V)
Strømstyrke:	7 A
Utgangsbelastning:	84 W
Tiltrekingsmoment:	35 Nm
Inspeksjon/sertifisering:	<b>CE</b>

**VAROITUS!**

- Tämä käyttöohje on luettava ja ymmärrettävä ennen käyttöä, puhdistusta ja huoltoa.
- Tämän tuotteen asennus täytyy teettää ammattilaisella. Väärin tehty asennus voi johtaa vakaviin vammoihin. Tuotteeseen tehtävät muutokset voivat olla äärimmäisen vaarallisia ja johtaa vakaviin vammoihin tai laitevaurioihin.
- Tätä ohjetta täytyy säilyttää tuotteen yhteydessä. Omistajan täytyy lukea se tarkkaavaisesti.

## Sisällysluettelo

1	Neuvoja käyttöohjeen käyttämiseen . . . . .	156
2	Turvallisuusohjeet . . . . .	156
3	Toimituskokonaisuus . . . . .	158
4	Lisävarusteet . . . . .	159
5	Käyttötarkoitus . . . . .	159
6	Tekninen kuvaus . . . . .	159
7	Markiisin käyttö . . . . .	160
8	Puhdistus ja hoito . . . . .	165
9	Häiriöiden poistaminen . . . . .	167
10	Takuu . . . . .	167
11	Hävittäminen . . . . .	168
12	Tekniset tiedot . . . . .	168

# 1 Neuvoja käyttöohjeen käyttämiseen

**VAROITUS!**

**Turvallisuusohje:** Huomiotta jättäminen voi aiheuttaa hengenvaaran tai vakavan loukkaantumisen.

**HUOMAUTUS!**

Huomiotta jättäminen voi johtaa materiaalivaurioihin ja haitata tuotteen toimintaa.

**OHJE**

Tuotteen käyttöä koskevia lisätietoja.

## 2 Turvallisuusohjeet

### Noudata ajoneuvovalmistajan ja autoalan ammattiipiirien antamia turvallisuusohjeita ja vaatimuksia.

Valmistaja ei ota mitään vastuuta vahingoista seuraavissa tapauksissa:

- tuotteeseen mekaanisen vaikutuksen tai ylijännitteiden takia syntyneet vauriot
- tuotteeseen ilman valmistajan nimenomaista lupaa tehdyt muutokset
- käyttö muuhun kuin käyttöohjeessa ilmoitettuun tarkoitukseen

### Noudata seuraavia varoitusohjeita:

**VAROITUS!**

- Tarkasta ennen ajoon lähtöä, että markiisi on kokonaan sisässä. Älä liikuttele ajoneuvoa koskaan, kun markiisi on avattuna.
- Älä aja koskaan, kun kampi roikkuu paikallaan. Ota kampi pois ennen kuin lähdet ajoon.
- Älä aja autolla, jos kangas on vahingoittunut tai revennyt, älä edes silloin kun markiisi on suljettu asianmukaisesti. Kangas kannattelee markiisin varsia. Jos kangas repeää äkkiä ajon aikana, markiisi syöksyy äkillisesti ulos. Tämä voi johtaa vakaviin vammoihin. Varmista markiisi siten, että se ei voi avautua yhtäkkiä ja odottamatta ajon aikana.
- Markiisia **ei** saa avata ajon aikana.
- Markiisia **ei** saa avata kovalla tuulella tai lumisateella.

- Sulje markiisi, jos odotettavissa on kovaa tuulta, rankkasadetta tai lumisadetta.
- Huolehdi siitä, että kankaalle ei keräänny vettä tai lunta. Muuten markiisi voi vahingoittua tai markiisin varret voivat katketa ja aiheuttaa siten vammoja tai kuoleman.
- Älä lähesty markiisia
  - jos se on jätetty auki kovalla tuulella
  - jos sen päälle on muodostunut vesilätäköitä
  - jos sen päälle on kertynyt lunta
  - jos markiisikankaalla on roskia.

Markiisi voi odottamatta liikkua, muuttua epävakaaksi, taipua tai murtua.

- **Varustuksessa valinnainen moottori:** Jos markiisin liitäntäjohto on vaurioitunut, se on jätettävä ammattitaitoisen henkilön vaihdettavaksi.
- **Varustuksessa valinnainen moottori:** Katkaise virransyöttö virtakytkimellä ennen kuin puhdistat markiisin lähellä olevia ajoneuvon osia tai itse markiisia.
- Älä jätä avuttua markiisia vaille valvontaa. Sulje markiisi ennen kuin poistut paikalta.
- Pidä avotulella grillatessasi riittävä etäisyys markiisiin. Kuumuus voi vahingoittaa kangasta tai sytyttää sen palamaan.
- Tätä laitetta voivat käyttää valvonnan alaisuudessa myös vähintään 8-vuotiaat lapset samoin kuin henkilöt, joiden fyysiset, aistinvaraiset tai henkiset kyvyt ovat rajoittuneet, tai henkilöt, joilta puuttuu käytön vaatima kokemus tai tietämys. Tämä koskee myös tilannetta, jossa edellä mainitut henkilöt ovat saaneet laitteen turvallista käyttöä koskevan perehdytyksen ja jotka tämän perusteella ymmärtävät laitteen käytöstä aiheutuvat riskit.
- **Varustuksessa valinnainen moottori: Sähkölaitteet eivät ole lasten leluja.**  
Säilytä kauko-ohjain lasten ulottumattomissa. Älä anna lasten leikkiä seinäkytkimellä (lisävaruste).
- Lapsia tulee valvoa sen varmistamiseksi, etteivät he leiki laitteella.



## HUOMAUTUS!

- Sijoita matkailuauto tai asuntovaunu siten, ettei kankaalle pääse putoamaan roskia (oksia, lehtiä tms.).
- Markiisin kangas ei saa roikkua reunoilta, vaan sen pitää olla aina kireällä. Jos kangas roikkuu, se voi hangata varsiin ja vahingoittua. Jos kyseessä on pitkä markiisi, sen kangas saa roikkua keskeltä.

- Sulje markiisi vain, jos kankaan päällä ei ole roskia (oksia, lehtiä tms.). Muutoin markiisi voi vaurioitua suljettaessa.
- Pidä markiisi puhtaana liasta hankautumien, tahrojen ja homeen välttämiseksi.
- Markiisiin saa sulkea märkänä vain turvallisuussyistä. Avaa se jälleen niin pian kuin mahdollista. Muuten voi muodostua hometta tai tahroja, tai väri voi haalistua.
- Älä koskaan taivuta markiisiin varsia tai lippaa alas päästääksesi vettä pois markiisiin päältä. Se voi aiheuttaa markiisiin vääntymisen ja haitata sen toimintaa.
- Älä ripusta mitään esineitä markiisiin, älä etulippaan äläkä markiisiin varsiin.
- Älä käytä mitään suihkeita (esim. hyönteiskarkote, hiussuihke) markiisiin lähellä. Se saa kankaan likaantumaan ja kankaan vettä hylkivä ominaisuus voi kadota niiden takia.
- Jos oven yläpuolelle ei jää markiisiin kiinnittämisen jälkeen riittävästi vapaata tilaa, ovi täytyy pitää kiinni avaamisen tai sulkemisen aikana, jotta ovi ei osu varsiin tai etulippaan.  
Vapaan tilan tarve riippuu oven rakenteesta (oven leveys, kääntö- tai liukuovi) sekä markiisiin säädetystä kallistuskulmasta.

### 3 Toimituskokonaisuus

Määrä	Kuvaus
1	Markiisi
1	Käsikampi (vain moottorilla varustetut markiisit) Hätäkampi (vain moottorilla varustetut markiisit)
1	Kauko-ohjain (vain moottorilla varustetut markiisit)
4	Kiilat
1	Käyttöohje
1	Asennusohje

## 4 Lisävarusteet

Saatavissa lisävarusteena (ei sisälly toimituskokonaisuuteen):

### Kuvaus

TieDown Kit

Markiisin kiinnityshihnat

Dometic Light LK120

LED-valaistussarja ja kaukosäädin, asennetaan markiisiin varsiin

LED LightStrip

LED-valonauha, saatavana eri pituuksina, asennetaan markiisin alapintaan

Led Profile

LED-valaistus, saatavana eri pituuksina, asennetaan seinään asennetun markiisin alapintaan

Markiisin puhdistusaine

Eriytynen puhdistusaine markiisille

Korjaussarja

Markiisin korjauspaikka

Seinäkytkin

## 5 Käyttötarkoitus

Markiisi PerfectWall PW 3800 soveltuu asennettavaksi matkailuautoihin ja asuntovau-nuihin.

Markiisia saa käyttää ainoastaan ajoneuvon seistessä.

## 6 Tekninen kuvaus

Markiisit PerfectWall PW 3800 voi avata ja sulkea 12 V:n moottorin avulla (lisäva-ruste).

Markiisit PerfectWall PW 3800 voi lisäksi avata ja sulkea käsikammella.

Markiisi on itsensä kannatteleva rakenne. Integroidut tukijalat voi asentaa ajoneuvon kylkeen tai maahan.

**Kauko-ohjaimen käyttöpainikkeet (vain moottorilla varustetut markiisit)**

Kohta – kuva <b>1</b> , sivulla 3	Kuvaus
1	Markiisin sulkeminen
2	Seis
3	Markiisin avaaminen
4	LED-valaistus päälle/pois (lisävaruste)

**Seinäkytkimen painikkeet (lisävaruste)**

Kohta – kuva <b>1</b> , sivulla 3	Kuvaus
1	Markiisin sulkeminen
2	Seis
3	Markiisin avaaminen
4	LED-valaistus päälle/pois (lisävaruste)

## 7 Markiisin käyttö

Noudata turvallisuusohjeita kohdassa kap. ”Turvallisuusohjeet” sivulla 156.

### 7.1 Ajoneuvon paikkaa koskevia ohjeita

**VAROITUS! Loukkaantumisvaara.**

Pidä riittävä etäisyys esineisiin ja muihin ajoneuvoihin. Avaamisen jälkeen joka puolella pitää olla vähintään 40 cm väliä muihin esineisiin ja ajoneuvoihin.

**HUOMAUTUS!**

- Sijoita ajoneuvo siten, ettei kankaan päälle pääse roskia (oksia, lehtiä tms.).
- Pidä markiisi puhtaana liasta hankautumien, tahrojen ja homeen välttämiseksi.



## 7.2 Markkiisin avaaminen

### Markkiisin avaaminen käsikammen avulla

- Loksauta käsikampi markkiisin kammenkiinnityskohtaan (kuva **2**, sivulla 3).
- Kierrä käsikampea, kunnes markiisi on avautunut haluamaasi asentoon (kuva **3**, sivulla 4).
- Kierrä käsikampea takaisin noin neljäsosan verran koko liikealueesta, jotta kangas kiristyy.



#### **HUOMAUTUS! Varo mahdollisia vaurioita.**

Markkiisin kangas ei saa roikkua reunoilta, vaan sen pitää olla aina kireällä. Jos kangas roikkuu, se voi hangata varsiin ja vahingoittua. Jos kyseessä on pitkä markiisi, sen kangas saa roikkua keskeltä.

- Irrota käsikampi markkiisin kammenkiinnityskohdasta.

### Markkiisin avaaminen moottorin (lisävaruste) avulla



#### **OHJE**

##### **Vain käytettäessä kauko-ohjaimella:**

- Kun ajoneuvo käynnistetään, markiisi vetäytyy sisään automaattisesti. Ajoneuvolla ajettaessa markiisi on lukittuna, eikä sitä ei voi avata.
- Vastaanotin piippaa kerran kun se kytketään päälle.
- Radiohäiriöt voivat haitata kauko-ohjaimen käyttöä, jos jokin lähellä oleva laite käyttää samaa taajuutta.
- Pidä kauko-ohjain turvallisessa paikassa ajon aikana. Pidikkeen magneettia ei ole suunniteltu voimakkaille tärähdyksille, kuten äkilliselle jarrutukselle.

- Paina painiketta ▽, kunnes markiisi on avautunut haluttuun asentoon.



#### **HUOMAUTUS! Varo mahdollisia vaurioita.**

Markkiisin kangas ei saa roikkua reunoilta, vaan sen pitää olla aina kireällä. Jos kangas roikkuu, se voi hangata varsiin ja vahingoittua. Jos kyseessä on pitkä markiisi, sen kangas saa roikkua keskeltä.

## 7.3 Markkiisin sulkeminen



### HUOMAUTUS!


- Sulje markiisi vain, jos kankaan päällä ei ole roskia (oksia, lehtiä tms.). Muutoin markiisi voi vaurioitua suljettaessa.
- Pidä markiisi puhtaana liasta hankautumien, tahrojen ja homeen välttämiseksi.
- Huolehdi markiisia sulkiessasi siitä, että oksia tai muita esineitä ei jää väliin.
- Jos markiisi on suljettu märkänä, avaa se heti mahdollisuuden tullen uudelleen, jotta kangas pääsee kuivumaan. Jos märkä kangas pidetään pitkään rullattuna, voi muodostua hometta ja värit voivat haalistua.

- Poista kankaan päällä olevat roskat (oksat, lehdet tai vastaavat).

### Markkiisin sulkeminen käsikammen avulla

- Loksauta käsikammen yläpää markiisissa olevaan kiinnityskohtaan.
- Kierrä käsikampea, kunnes markiisi on kokonaan kiinni.
- Varmista, että markiisi on kokonaan kiinni, ennen kuin lähdet ajoon. Etulipan täytyy olla tiiviisti kiinni rungossa.
- Irrota käsikampi markiisin kammenkiinnityskohdasta.

### Markkiisin sulkeminen moottorin (lisävaruste) avulla

- Paina painiketta , kunnes markiisi on sulkeutunut kokonaan.
- Varmista, että markiisi on kokonaan kiinni, ennen kuin lähdet ajoon. Etulipan täytyy olla tiiviisti kiinni rungossa.

## 7.4 Kallistuskulman säätäminen



### OHJE

Kallistuskulmaa voi pienentää tukijalkojen asentamisen yhteydessä, katso kap. "Tukijalkojen asentaminen" sivulla 163.

- Säädä mutteria, kunnes markiisin kallistuskulma (kuva  1, sivulla 4) on sopiva.

## 7.5 Tukijalkojen asentaminen

### Tukijalkojen avaaminen

- Työnnä etulipassa oleva oikea tukijalka kokonaan yhteen niin, että voit liikuttaa sitä vapaasti (kuva **5**, sivulla 5).
- Käännä oikea tukijalka sivulle (kuva **5**, sivulla 5).
- Käännä oikea tukijalka alas ja aseta se maahan (kuva **6**, sivulla 5).
- Säädä tukijalan korkeus haluamaksesi (kuva **7**, sivulla 6).
- Lukitse tukijalka kääntämällä sen vipu ylös (kuva **8**, sivulla 6).
- Avaa toinen tukijalka samalla tavalla.

### Tukijalkojen pystyttäminen maahan



#### **VAROITUS! Loukkaantumisvaara**

- Pystytä tukijalat vain kiinteälle alustalle.
- Varmista tukijalat siten, ettei se pääse luiskahtamaan paikaltaan.

- Pystytä tukijalat pystysuoraan etulipan alapuolelle.
- Varmista tukijalat kiiloin (kuva **9**, sivulla 6).
- Säädä toinen tukijalka hieman toista matalammaksi, jotta etulippa on hieman vinossa. Näin sade pääsee valumaan helposti pois (kuva **10**, sivulla 7).

### Tukijalan kiinnittäminen ajoneuvoon

Voit tukea markiisin suoraan ajoneuvoon, jos olet asentanut kiinnikkeet tukijalkoja varten.

- Työnnä kiinnikkeen suojus ylös (kuva **11**, sivulla 7).
- Aseta tukijalat kiinnikkeeseen (kuva **11**, sivulla 7).
- Työnnä kiinnikkeen suojus alas (kuva **11**, sivulla 7).
- Säädä toinen tukijalka hieman toista matalammaksi, jotta etulippa on hieman vinossa. Näin sade pääsee valumaan helposti pois (kuva **12**, sivulla 7).

### Tukijalkojen kääntäminen kokoon

- Vapauta tukijalkojen kiinnitys (kiilat tai ajoneuvossa olevat kiinnikkeet).
- Vapauta oikea tukijalka kääntämällä sen vipu alas.

- Työnnä tukijalka kokonaan kokoon.
- Käännä oikea tukijalka ylös.
- Käännä oikea tukijalka etulippaan.
- Työnnä oikean tukijalan alaosa etulipassa olevaan kiinnikkeeseen.
- Sulje toinen tukijalka samalla tavalla.

## 7.6 Moottorin säätäminen (valinnaisesti)



### OHJE

12 V moottori on asennettu valmiiksi kankaan akseliin.

- Säädä 12 V moottoria, jos markiisi ei enää sulkeudu tai aukea kokonaan (kuva **15**, sivulla 8).

## 7.7 Paristojen vaihtaminen kauko-ohjaimen ja seinäkytkimeen (lisävaruste) (valinnaisesti)



### OHJE

Jos kauko-ohjaimen LEDi **ei** syty, kun jotain painiketta painetaan, kauko-ohjaimen paristo on lopussa.

- Avaa kotelo (kuva **16** 1, sivulla 8).
- Irrota vanha paristo pidikkeestään.
- Laita uusi paristo (tyyppi CR2450 kauko-ohjaimelle, tyyppi CR2430 seinäkytkimelle, kuva **16** 2, sivulla 8) pidikkeeseensä plus-napa ylöspäin.
- Kokoa kauko-ohjain tai seinäkytkin uudelleen.



### Muista ympäristönsuojelu!

Akut ja paristot eivät kuulu kotitalousjätteen sekaan.

Toimita vialliset akut tai käytetyt paristot kauppiaille tai keräyspisteeseen.

## 8 Puhdistus ja hoito

### 8.1 Puhdistus



#### **HUOMAUTUS! Varo mahdollisia vaurioita.**

- Markiisia **ei saa koskaan** puhdistaa painepesurilla.
- Älä käytä puhdistukseen kovia puhdistusaineita tai kovia esineitä, koska ne voivat vahingoittaa tuotetta.

- Poista kaikki kankaalla olevat roskat (oksat, lehdet tms.) hankaumien, tahrojen ja homeen välttämiseksi. Markiisi voisi sitä paitsi vaurioitua suljettaessa.
- Puhdista markiisin kangas säännöllisesti pölyn ja lian poistamiseksi:
  - Käytä tähän vettä, jossa on 30 ml pesuainetta ja 30 ml valkaisuainetta 10 l vettä kohti.
  - Kastele kangas tällä liuoksella ja anna puhdistusnesteen vaikuttaa viisi minuuttia.
  - Huuhtelee perusteellisesti puhtaalla vedellä. Varmista, että puhdistusneste valkaisuaineineen pestään kokonaan pois. Muussa tapauksessa kangas voi vaurioitua.
  - Anna kankaan kuivua.



#### **OHJE**

Valmistaja suosittelee:

Käytä kankaan puhdistukseen Dometic-markiisinpuhdistusainetta (tuotenro. 9600000165, saatavissa huoltoliikkeestäsi).

### 8.2 Voitelu

- Voitele markiisin nivelet tarvittaessa parafiinivahalla, teflon- tai silikoniöljyllä.

### 8.3 Tarkastus



#### **VAROITUS!**

Älä käytä markiisia, jos on tehtävä säätö- tai korjaustoimia. Jos havaitset vaurioita, käänny oman maasi huoltoliikkeen puoleen (osoitteet ohjeen takapuolella).

- Tutki markiisi säännöllisesti epätasapainon ja kulumien sekä kriittisten osien vaurioiden varalta.

- Tarkasta markiisi säännöllisesti:
  - Onko kangas vaurioitunut?
  - Ovatko varret ja etulippa vahingoittumattomia ja vailla kulumisjälkiä?
  - Meneekö markiisi kunnolla kiinni?

## 8.4 Kiristä olkanivelten ruuvit

Olkanivelen ruuvit täytyy kiristää ensimmäisten kuormitusten jälkeen:

- ensimmäisen markiisia käyttäen vietetyn loman jälkeen
- 20 000 km ajon jälkeen tai kuuden kuukauden kuluttua markiisin asentamisesta (sen mukaan, kumpi saavutetaan ensin)

Lisäksi olkanivelen ruuvit on tarkastettava ajoneuvon säännöllisten tarkastusten yhteydessä.

Kiristytä ruuvit huoltoliikkeessäsi.

### Ohjeita huoltoa varten (kuva 17, sivulla 8)



#### **HUOMAUTUS!**

Varsien täytyy olla kuormittamattomia. Tällä estetään ruuvien kiristysmomenttien vääristyminen.

- Nosta etulippaa kevyesti nivelten kuormituksen poistamiseksi.
- Kiristä ruuveja kiristysmomenttiin 15 – 25 Nm.

## 8.5 Kankaan pienten reikien paikkaaminen

Voit itse paikata kankaan pieniä reikiä tai kohtia, joissa pinnoite irtoaa:

- Hankaa vahingoittuneen kohdan ympärille puuvillaliinalla hieman nestemäistä vinyylikalvoa (tuotenro 9103104018, saatavissa huoltoliikkeestäsi).
- ✓ Nestemäinen vinyylikalvo pehmittää pinnoitteen. Pinnoite sulkee reiän kuivuesaan.
- Odota ennen markiisin sulkemista, että kohta on kuivunut.

## 9 Häiriöiden poistaminen



### OHJE

Jos et pysty poistamaan vikaa seuraavan taulukon avulla, ota yhteyttä asianomaiseen huoltoliikkeeseen maassasi (katso osoite käyttöohjeen takaosasta).

Häiriö	Mahdollinen syy	Ratkaisuehdotus
Moottori ei tottele kauko-ohjainta.	Kauko-ohjaimen paristo on tyhjä.	Paina lyhyesti jompaakumpaa painiketta $\triangle$ tai $\nabla$ . Jos kauko-ohjaimen LEDi ei syty, kauko-ohjaimen paristo on lopussa. Vaihda paristo, katso kap. "Paristojen vaihtaminen kauko-ohjaimen ja seinäkytkimeen (lisävaruste) (valinnaisesti)" sivulla 164.
	Kauko-ohjain ei ole tai ei ole enää kunnolla yhdistetty moottoriin.	Ohjelmoi kauko-ohjain uudestaan, katso asennusohje.
	Virransyöttö ei toimi	Tarkasta sähköiset johdotukset.
	Moottori on rikki.	Sulje markiisi käsin ja ota yhteyttä kyseisen maan huoltoliikkeeseen.

## 10 Takuu

Laitetta koskee lakisäätäinen takuu-aika. Jos tuote sattuu olemaan viallinen, käänny oman ammattikauppiaasi tai maasi valmistajan toimipisteen puoleen (osoitteet käyttöohjeen takasivulla).

Korjaus- ja takuukäsittelyä varten lähetä mukana seuraavat asiakirjat:

- kopio ostolaskusta, jossa näkyy ostopäivä,
- valitusperuste tai vikakuvaus.

## 11 Hävittäminen

- Vie pakkausmateriaali mahdollisuuksien mukaan vastaavan kierrätysjätteen joukkoon.



Jos poistat tuotteen lopullisesti käytöstä, pyydä tietoa sen hävittämistä koskevista määräyksistä lähimmästä kierrätyskeskuksesta tai ammattiliikkeestäsi.

## 12 Tekniset tiedot

PerfectWall PW 3800					
Leveys:	4 m	4,5 m	5 m	5,5 m	6 m
Avautuma:	2,7 m				
Paino:	43 kg	46 kg	49 kg	53 kg	57 kg

12 V:n moottori	
Liitäntäjännite:	12 V $\pm$ (11–15 V)
Virranvoimakkuus:	7 A
Lähtöteho:	84 W
Vääntömomentti:	35 Nm
Tarkastus/sertifikaatti:	<b>CE</b>





### **ПРЕДУПРЕЖДЕНИЕ!**

- Необходимо прочесть и понять эту инструкцию перед использованием, чисткой и техническим обслуживанием.
- Данное изделие должно монтироваться специалистом. Неправильный монтаж может привести к тяжелым травмам. Изменение конструкции изделия может быть очень опасно и привести к тяжелым травмам или повреждениям прибора.
- Данная инструкция должна храниться рядом с изделием. Владелец должен внимательно прочесть ее.

## **Оглавление**

1	Указания по работе с инструкцией . . . . .	170
2	Указания по технике безопасности . . . . .	170
3	Комплект поставки . . . . .	173
4	Принадлежности . . . . .	173
5	Использование по назначению . . . . .	174
6	Техническое описание . . . . .	174
7	Управление маркизой . . . . .	175
8	Очистка и уход . . . . .	179
9	Устранение неисправностей . . . . .	182
10	Гарантия . . . . .	182
11	Утилизация . . . . .	183
12	Технические характеристики . . . . .	183

# 1 Указания по работе с инструкцией



## **ПРЕДУПРЕЖДЕНИЕ!**

**Указания по технике безопасности:** Несоблюдение может привести к смертельному исходу или тяжелым травмам.



## **ВНИМАНИЕ!**

Несоблюдение может привести к повреждениям и нарушить работу продукта.



## **УКАЗАНИЕ**

Дополнительная информация по управлению продуктом.

# 2 Указания по технике безопасности

**Соблюдайте инструкции по технике безопасности изготовителя автомобиля и правила техники безопасности, установленные в автомастерской!**

Изготовитель не несет никакой ответственности за ущерб в следующих случаях:

- Повреждения продукта из-за механических воздействий и перенапряжений
- Изменения в продукте, выполненные без однозначного разрешения изготовителя
- Использование в целях, отличных от указанных в данной инструкции

**Соблюдайте следующие предупреждения:**



## **ПРЕДУПРЕЖДЕНИЕ!**

- Перед началом движения убедитесь в том, что маркиза полностью убрана. Не перемещайте автомобиль при открытой маркизе.
- Не двигайтесь с установленной рукояткой. Перед началом движения снимите рукоятку.
- Не начинайте движение, если полотно повреждено или надорвано, даже если маркиза должным образом закрыта! Рычаги маркизы удерживаются полотном. Если полотно разорвется во время движения, то маркиза резко вырывается наружу. Это может приводить к тяжелым травмам. Закрепите маркизу так, чтобы она не могла внезапно и неожиданно выдвигаться во время движения.
- **Не** раскрывайте маркизу во время движения.

- **Не** раскрывайте маркизу при сильном ветре или снегопаде.
- Убирайте маркизу, если ожидается сильный ветер, дождь или снегопад.
- Следите за тем, чтобы на полотне не собиралась вода или снег. В противном случае маркиза может быть повреждена или могут быть обломаны рычаги, что, в свою очередь, может привести к тяжелым травмам или смерти.
- Не приближайтесь к маркизе,
  - если она была оставлена открытой во время сильного ветра,
  - если на ней образовались скопления воды,
  - если на ней скопился снег,
  - если на полотне находится много грязи.Маркиза может неожиданно переместиться, стать неустойчивой и деформироваться или оборваться.
- **С опциональным двигателем:** Если поврежден соединительный кабель маркизы, он должен быть заменен специалистом.
- **С опциональным двигателем:** Прежде, чем начать чистку автомобиля вблизи маркизы или чистку самой маркизы, отключите электропитание выключателем.
- Не оставляйте выдвинутую маркизу без присмотра. Перед покиданием места стоянки уберите маркизу.
- Не устанавливайте мангалы с открытым огнем вблизи маркизы. Полотно может быть повреждено вследствие высокой температуры или загореться.
- Этот прибор может использоваться детьми с 8-ми лет и старше, а также лицами с ограниченными физическими, сенсорными и умственными способностями или при недостатке необходимого опыта и знаний только под присмотром или после прохождения инструктажа по безопасному использованию прибора, если они поняли опасности, которые при этом могут возникнуть.
- **С опциональным двигателем: Электроприборы не являются детскими игрушками.**  
Поэтому храните пульт дистанционного управления в недоступном для детей месте. Не допускайте игр детей с ветровым датчиком (принадлежность).
- Необходимо постоянно следить за детьми и не допускать игр с устройством.

**ВНИМАНИЕ!**

- Располагайте кемперы или жилые прицепы так, чтобы на полотно не могла попасть грязь (ветки, листья и т. п.).
- Полотно маркизы не должно провисать по краям, а всегда должно быть натянуто. Если полотно провисает, то оно может тереться о рычаги и получить повреждения.  
В длинных маркизах полотно может слегка провисать в центре.
- Убирайте маркизу только в том случае, если на полотне отсутствует грязь (ветки, листья и т. п.). В противном случае при втягивании маркиза может быть повреждена.
- Не допускайте загрязнений маркизы, чтобы предотвратить истирание, пятна и плесень.
- Закрывайте маркизу во влажном состоянии только в цепях обеспечения безопасности. Как можно быстрее выдвиньте ее снова. В противном случае могут образовываться пятна или плесень или терять свой цвет полотно.
- Не изгибайте рычаг маркизы или панель, чтобы слить воду с маркизы. Вследствие этого маркиза может деформироваться, что окажет отрицательное влияние на ее работу.
- Не подвешивайте никаких предметов к маркизе - ни к лицевой панели, ни к рычагам.
- Не пользуйтесь аэрозолями (например, инсектицидами, лаком для волос) вблизи маркизы. Вследствие этого полотно может быть загрязнено, либо исчезнуть эффект водоотталкивания.
- Если после монтажа маркизы не остается достаточного свободного пространства над дверью, то во время втягивания или выдвигания дверь должна оставаться открытой, чтобы избежать контакта с рычагами или направляющей.  
Требуемое свободное пространство зависит от конструкции двери (ширина, поворотная или раздвижная дверь), а также от настроенного угла наклона маркизы.

### 3 Комплект поставки

Количество	Наименование
1	Маркиза
1	Рукоятка (только в маркизах без двигателя) Резервная рукоятка (только в маркизах с двигателем)
1	Пульт дистанционного управления (только в маркизах с двигателем)
4	Копышек
1	Инструкция по эксплуатации
1	Инструкция по монтажу

### 4 Принадлежности

Продается в качестве принадлежности (не входит в комплект поставки):

Наименование
TieDown Kit Ремни для натяжения маркизы
Dometic Light LK120 Комплект светодиодной подсветки с дистанционным управлением для монтажа на рычагах шторки
LED LightStrip Светодиодная лента, различных размеров, для монтажа на нижней стороне маркизы
LED Profile Светодиодная подсветка, различных размеров, для монтажа на нижней стороне настенной маркизы
Средство для чистки маркиз Специальное средство для чистки маркиз
Repair Kit Заплата для ремонта маркиз
Настенный выключатель

## 5 Использование по назначению

Маркиза PerfectWall PW 3800 пригодна для установки на автодомах или жилых прицепах.

Использование маркизы допускается только в неподвижном состоянии автомобиля.

## 6 Техническое описание

Маркизы PerfectWall PW 3800 можно выдвигать и убирать с помощью 12-вольтового двигателя, который управляется пультом дистанционного управления или настенным выключателем (аксессуар).

Маркизы PerfectWall PW 3800 можно также выдвигать и убирать, используя рукоятку.

Маркиза является самоподдерживающейся конструкцией. Интегрированные опоры могут быть установлены со стороны автомобиля или на земле, чтобы поддерживать вес направляющей.

### Органы управления на пульте дистанционного управления (только в маркизах с двигателем)

Поз. на рис. <b>1</b> , стр. 3	Наименование
1	Убирание маркизы
2	Стоп
3	Выдвижение маркизы
4	Включение/выключение светодиодной подсветки (опция)

### Органы управления на настенном выключателе (аксессуар)

Поз. на рис. <b>1</b> , стр. 3	Наименование
1	Убирание маркизы
2	Стоп
3	Выдвижение маркизы
4	Включение/выключение светодиодной подсветки (опция)

## 7 Управление маркизой

Соблюдайте также указания по технике безопасности, приведенные в гл. «Указания по технике безопасности» на стр. 170.

### 7.1 Указания по месту парковки автомобиля



#### **ПРЕДУПРЕЖДЕНИЕ! Опасность травмирования.**

Соблюдайте достаточное расстояние до других автомобилей или каких-либо предметов. После выдвижения со всех сторон должно иметься расстояние не менее 40 см до других автомобилей или каких-либо предметов.



#### **ВНИМАНИЕ!**

- Располагайте автомобиль так, чтобы на полотно не могла попасть грязь (ветки, листья и т. п.).
- Не допускайте загрязнений маркизы, чтобы предотвратить истирание, пятна и плесень.

### 7.2 Выдвижение маркизы

#### **Выдвижение маркизы с помощью рукоятки**

- Зафиксируйте рукоятку в креплении маркизы (рис. **2**, стр. 3).
- Вращайте рукоятку до тех пор, пока маркиза не выдвинется в требуемое положение (рис. **3**, стр. 4).
- Поверните рукоятку приблизительно на 1/4 оборота назад, чтобы натянуть полотно.



#### **ВНИМАНИЕ! Опасность повреждения.**

Полотно маркизы не должно провисать по краям, а всегда должно быть натянуто. Если полотно провисает, то оно может тереться о рычаги и получить повреждения.

В длинных маркизах полотно может слегка провисать в центре.

- Вытащите рукоятку из крепления маркизы.


## Выдвижение маркизы с помощью двигателя (опция)



### УКАЗАНИЕ

#### Только при использовании дистанционного управления:

- При пуске двигателя автомобиля маркиза убирается автоматически. Во время движения автомобиля маркиза заблокирована не может быть выдвинута.
- При включении приемник подает один звуковой сигнал.
- Работа пульта дистанционного управления может быть нарушена радиопомехами, если другой прибор, расположенный вблизи, использует такую же частоту.
- При движении храните пульт дистанционного управления в надежном месте. Магнит в держателе не рассчитан на сильные вибрации, например, экстренное торможение.

- Нажимайте кнопку  до тех пор, пока маркиза не выдвинется в требуемое положение.



### ВНИМАНИЕ! Опасность повреждения.

Полотно маркизы не должно провисать по краям, а всегда должно быть натянуто. Если полотно провисает, то оно может тереться о рычаги и получить повреждения. В длинных маркизах полотно может слегка провисать в центре.

## 7.3 Убирание маркизы



### ВНИМАНИЕ!

- Убирайте маркизу только в том случае, если на полотне отсутствует грязь (ветки, листья и т. п.). В противном случае при втягивании маркизы может быть повреждена.
- Не допускайте загрязнений маркизы, чтобы предотвратить истирание, пятна и плесень.
- При убирании маркизы следите за тем, чтобы не были зажаты ветки, сучья или какие-либо другие предметы.
- Если маркиза была убрана во влажном состоянии, то при первой же возможности выдвиньте ее и дайте полотну высохнуть. Если влажное полотно долгое время остается свернутым, оно может заплесневеть или может выцвести краска.


- Удалите грязь (ветки, листья и т. п.), лежащую на полотне.



### Убирание маркизы с помощью рукоятки

- ▶ Зафиксируйте верхний конец рукоятки в креплении маркизы.
- ▶ Вращайте рукоятку до тех пор, пока маркиза не будет полностью убрана.
- ▶ Прежде, чем начать движение, убедитесь в том, что маркиза полностью убрана. Направляющая должна плотно прилегать к корпусу.
- ▶ Вытащите рукоятку из крепления маркизы.

### Убирание маркизы с помощью двигателя (опция)

- ▶ Нажимайте кнопку  до тех пор, пока маркиза не будет полностью убрана.
- ▶ Прежде, чем начать движение, убедитесь в том, что маркиза полностью убрана. Направляющая должна плотно прилегать к корпусу.

## 7.4 Регулировка угла наклона



### УКАЗАНИЕ

При установке опор может быть уменьшен угол наклона, см. гл. «Установка опор» на стр. 177.

- ▶ Вращайте гайку до тех пор, пока маркиза не будет находиться под требуемым углом наклона (рис. **4** 1, стр. 4).

## 7.5 Установка опор

### Сборка опор

- ▶ Полностью сдвиньте правую опору в лицевой панели, чтобы ее можно было свободно перемещать (рис. **5**, стр. 5).
- ▶ Поверните правую опору в сторону (рис. **5**, стр. 5).
- ▶ Откиньте правую опору вниз и установите ее на землю (рис. **6**, стр. 5).
- ▶ Отрегулируйте опору на требуемую высоту (рис. **7**, стр. 6).
- ▶ Поднимите рычаг опоры вверх, чтобы зафиксировать ее (рис. **8**, стр. 6).
- ▶ Точно так же втяните вторую опору.

## Установка опоры на землю



### **ПРЕДУПРЕЖДЕНИЕ! Опасность травмирования!**

- Устанавливайте опору только на прочный грунт.
- Предохраните опору от смещения.

- Установите опору вертикально под направляющую.
- Закрепите опору колышками (рис. **9**, стр. 6).
- Отрегулируйте опору слегка ниже, чтобы направляющая висела слегка наклонно. Таким образом дождь может сразу стекать (рис. **10**, стр. 7).

## Крепление опоры на автомобиле

Вы можете закрепить маркизу непосредственно на автомобиле, если установили стопоры опор.

- Переместите крышку стопора вверх (рис. **11**, стр. 7).
- Вставьте опоры в фиксатор (рис. **11**, стр. 7).
- Переместите крышку стопора вниз (рис. **11**, стр. 7).
- Отрегулируйте опору слегка ниже, чтобы направляющая висела слегка наклонно. Таким образом дождь может сразу стекать (рис. **12**, стр. 7).

## Складывание опор

- Отпустите крепление опор (фиксатор или стопор на автомобиле).
- Опустите рычаг правой опоры, чтобы разблокировать ее.
- Полностью сдвиньте опору.
- Сложите правую опору вверх.
- Поверните правую опору в направляющую.
- Сместите нижнюю часть правой опоры в стопор направляющей.
- Точно так же уберите вторую опору.

## 7.6 Регулировка двигателя (опция)



### УКАЗАНИЕ

Двигатель 12 В установлен в барабан.

- Если маркиза не закрывается и не открывается полностью, отрегулируйте двигатель 12 В (рис. **15**, стр. 8).

## 7.7 Замена батареек в пульте дистанционного управления и настенном выключателе (аксессуар) (опция)



### УКАЗАНИЕ

Если светодиод пульта дистанционного управления **не** загорается после нажатия одной из кнопок, это означает, что батарейка пульта дистанционного управления разряжена.

- Откройте корпус (рис. **16** 1, стр. 8).
- Вытащите старую батарейку из держателя.
- Вставьте новую батарейку (типа CR2450 для пульта дистанционного управления, типа CR2430 для настенного выключателя рис. **16** 2, стр. 8) в держатель так, чтобы положительный вывод был обращен вверх.
- Соберите пульт дистанционного управления или настенный выключатель.



### Защищайте окружающую среду!

Аккумуляторы и батареи запрещается выбрасывать в бытовой мусор. Неисправные аккумуляторы и разряженные батареи сдавайте в торговую организацию или в специальные сборные пункты.

# 8 Очистка и уход

## 8.1 Чистка и уборка



### ВНИМАНИЕ! Опасность повреждения.

- **Категорически** запрещается очищать маркизу очистителем высокого давления.
- Не используйте для чистки абразивные чистящие средства или острые предметы, т. к. они могут привести к повреждениям изделия.

- ▶ Убирайте любую грязь (ветки, листья и т. п.), которая лежит на полотне, чтобы предотвратить истирание, пятна и плесень. Кроме того, маркиза может быть повреждена при втягивании.
- ▶ Для удаления пыли и грязи регулярно очищайте полотно маркизы:
  - Для этого используйте воду с 30 мл моющего средства и 30 мл отбеливателя на 10 л воды.
  - Намылите полотно этим составом и оставьте его действовать на пять минут.
  - Тщательно прополощите чистой водой.Убедитесь в том, что жидкость для чистки с отбеливателем полностью смыта. В противном случае полотно может быть повреждено.
  - Дайте полотну высохнуть.

**УКАЗАНИЕ**

Изготовитель рекомендует:

для очистки полотна используйте чистящее средство для маркиз Dometic (арт. № 9600000165, можно приобрести в сервисной организации).

## 8.2 Смазка

- ▶ При необходимости, смажьте шарниры маркизы парафиновым воском, тефлоновым или силиконовым маслом.

## 8.3 Контроль

**ПРЕДУПРЕЖДЕНИЕ!**

Не пользуйтесь маркизой, если требуется регулировка или ремонт. При обнаружении повреждений обратитесь в сервисную организацию в вашей стране (адреса указаны на оборотной стороне инструкции).

- ▶ Регулярно контролируйте маркизу на предмет дисбаланса и износа, а также на предмет повреждений критических деталей.
- ▶ Регулярно контролируйте маркизу:
  - Полотно без повреждений?
  - Рычаги и направляющая без повреждений и следов износа?
  - Маркиза закрывается должным образом?

## 8.4 Подтягивание винтов шарниров

Винты на шарнире необходимо подтянуть после первых нагрузок:

- после первого отпуска с использованием маркизы
- через 20 000 км пробега или шесть месяцев после установки маркизы (в зависимости от того, какой момент наступает раньше)

Необходимо контролировать винты шарниров при регулярном техническом осмотре автомобиля.

В целях подтягивания винтов обратитесь в сервисную организацию.

### Инструкция для сервисной организации (рис. 17, стр. 8)



#### **ВНИМАНИЕ!**

На раздвижные рычаги маркизы не должны действовать усилия, чтобы не фальсифицировать момент затяжки винтов.

- Слегка поднимите направляющую, чтобы разгрузить шарниры.
- Подтяните винты с моментом затяжки 15 – 25 Нм.

## 8.5 Латание небольших отверстий в полотне

Небольшие отверстия в полотне или точки, в которых отслаивается покрытие, Вы можете залатать самостоятельно:

- Используя хлопчатобумажный лоскут, разотрите вокруг поврежденной точки немного жидкого винилового пластыря (арт. № 9103104018, можно приобрести в сервисной организации).
- ✓ Жидкий виниловый пластырь размягчает покрытие. При высыхании покрытие закупоривает отверстие.
- Прежде, чем убрать маркизу, подождите, пока восстановленное место высохнет.

## 9 Устранение неисправностей



### УКАЗАНИЕ

Если неисправности не могут быть устранены на основании следующей таблицы, то обратитесь в сервисную организацию в Вашей стране (адреса указаны на оборотной стороне инструкции).

Неисправность	Возможные причины	Вариант устранения
Двигатель не реагирует на команды пульта дистанционного управления.	Разряжена батарейка пульта дистанционного управления.	Коротко нажмите одну из двух кнопок $\triangle$ или $\nabla$ . Если светодиод пульта дистанционного управления не загорается, это означает, что батарейка разряжена. Замените батарейку, см. гл. «Замена батареек в пульте дистанционного управления и настенном выключателе (аксессуар) (опция)» на стр. 179.
	Пульт дистанционного управления не настроен на двигатель или настроен неправильно.	Перепрограммируйте пульт дистанционного управления, см. инструкцию по монтажу.
	Отсутствует электропитание	Проверьте электрические соединения.
	Неисправен двигатель.	Уберите маркизу вручную и обратитесь в сервисную организацию.

## 10 Гарантия

Действителен установленный законом срок гарантии. Если продукт неисправен, обратитесь в торговую организацию или в представительство изготовителя в Вашей стране (адреса см. на оборотной стороне инструкции).

В целях проведения ремонта или гарантийного обслуживания Вы должны также послать следующие документы:

- копию счета с датой покупки,
- причину рекламации или описание неисправности.

## 11 Утилизация

- По возможности, выкидывайте упаковочный материал в мусор, подлежащий вторичной переработке.



Если Вы окончательно выводите продукт из эксплуатации, то получите информацию в ближайшем центре по вторичной переработке или в торговой сети о соответствующих предписаниях по утилизации.

## 12 Технические характеристики

PerfectWall PW 3800					
Ширина:	4 м	4,5 м	5 м	5,5 м	6 м
Вылет:	2,7 м				
Вес:	43 кг	46 кг	49 кг	53 кг	57 кг

Двигатель 12 В	
Подводимое напряжение:	12 В $\pm$ (11 – 15 В)
Сила тока:	7 А
Выходная мощность:	84 Вт
Вращающий момент:	35 Нм
Испытания/сертификат:	<b>CE</b>



### **OSTRZEŻENIE!**

- Przed przystąpieniem do używania, czyszczenia i konserwacji tego urządzenia należy przeczytać ze zrozumieniem niniejszą instrukcję obsługi.
- Ten produkt musi zostać zamontowany przez specjalistę. Nieprawidłowy montaż może doprowadzić do poważnych obrażeń ciała. Modyfikacje produktu mogą być bardzo niebezpieczne i mogą prowadzić do poważnych obrażeń ciała i uszkodzenia urządzenia.
- Ta instrukcja obsługi musi pozostać przy produkcie. Posiadacz musi ją uważnie przeczytać.

## **Spis treści**

1	Uwagi dotyczące korzystania z instrukcji . . . . .	185
2	Wskazówki bezpieczeństwa . . . . .	185
3	W zestawie . . . . .	188
4	Osprzęt . . . . .	188
5	Użytkowanie zgodne z przeznaczeniem . . . . .	189
6	Opis techniczny . . . . .	189
7	Obsługa markizy . . . . .	190
8	Czyszczenie. . . . .	194
9	Usuwanie usterek . . . . .	197
10	Gwarancja . . . . .	197
11	Utylizacja . . . . .	198
12	Dane techniczne . . . . .	198



# 1 Uwagi dotyczące korzystania z instrukcji

**OSTRZEŻENIE!**

**Wskazówka dot. bezpieczeństwa:** Nieprzestrzeganie może prowadzić do śmierci lub ciężkich obrażeń ciała.

**UWAGA!**

Nieprzestrzeganie może prowadzić do powstania szkód materialnych i zakłóceń w działaniu produktu.

**WSKAZÓWKA**

Informacje uzupełniające dot. obsługi produktu.

## 2 Wskazówki bezpieczeństwa

**Należy stosować się do uwag dot. bezpieczeństwa i dokumentacji, zalecanych przez producenta i branżę motoryzacyjną!**

Producent nie odpowiada za szkody spowodowane:

- uszkodzeniem produktu w sposób mechaniczny lub spowodowany przeciążeniami elektrycznymi
- zmianami dokonanyymi w produkcie bez wyraźnej zgody producenta
- użytkowaniem w celach innych niż opisane w niniejszej instrukcji

**Należy stosować się do następujących wskazówek:**

**OSTRZEŻENIE!**

- Przed rozpoczęciem jazdy sprawdzić, czy markiza jest całkowicie wsunięta. Nigdy nie ruszać pojazdem przy otwartej markizie.
- Nigdy nie jeździć z zaczepioną korbką. Przed rozpoczęciem jazdy należy ją zdjąć.

- Nie jeździć, jeśli materiał markizy jest uszkodzony lub naderwany – również wtedy, gdy markiza została prawidłowo zamknięta. Ramiona markizy są podtrzymywane przez materiał. Rozerwanie materiału podczas jazdy powoduje gwałtowne rozerwanie całej markizy. Może to doprowadzić do poważnych obrażeń ciała. Zabezpieczyć markizę w taki sposób, aby podczas jazdy nie doszło do jej przypadkowego wysunięcia.
- Nie **otwierać** markizy podczas jazdy.
- **Nie** otwierać jej również podczas silnego wiatru lub opadów śniegu.
- Wsunąć markizę przed nadejściem silnego wiatru, deszczu lub opadów śniegu.
- Uważać, aby na markizie nie zbierała się woda lub śnieg. Woda lub śnieg może spowodować uszkodzenie markizy lub złamanie jej ramion, co z kolei może doprowadzić do ciężkich obrażeń ciała lub do śmierci.
- Nie zbliżać się do markizy,
  - gdy była otwarta podczas silnego wiatru,
  - gdy utworzyła się na niej kałuża wody,
  - gdy zebrał się na niej śnieg,
  - gdy znajduje się na niej duża ilość zabrudzenia.Markiza może być niestabilna, przechylić się lub złamać.
- **Z opcjonalnym silnikiem:** Uszkodzony przewód przyłączeniowy markizy musi wymienić specjalista.
- **Z opcjonalnym silnikiem:** Przed myciem pojazdu w pobliżu markizy lub czyszczeniem samej markizy przerwać dopływ prądu za pomocą włącznika/wyłącznika.
- Nie pozostawiać wysuniętej markizy bez nadzoru. Wsunąć markizę przed opuszczeniem miejsca postoju.
- Podczas grillowania przy otwartym ogniu zachować odpowiedni odstęp od markizy. W wyniku działania wysokiej temperatury materiał może zostać uszkodzony lub spalony.
- Dzieci od 8. roku życia i osoby o ograniczonych możliwościach fizycznych, sensorycznych lub intelektualnych oraz osoby niedysponujące stosowną wiedzą i doświadczeniem mogą użytkować to urządzenie jedynie pod nadzorem innej osoby bądź uzyskania od niej informacji dotyczących bezpiecznego użytkowania i wynikających z tego zagrożeń.

- **Z opcjonalnym silnikiem: Urządzenia elektryczne nie są zabawkami!**

Przechowywać pilot poza zasięgiem dzieci. Nie pozwolić, aby bawiły się wyłącznikiem ściennym (osprzętem).

- Należy nadzorować dzieci obsługujące urządzenie.

**UWAGA!**

- Pojazdy kempingowe lub przyczepy kempingowe należy parkować tak, aby na tkaninę markizy nie spadały żadne zanieczyszczenia (gałęzie, liście itp.).
- Materiał markizy nie może zwisać, musi być stale napięty. Zwisający materiał może ocierać się o ramiona, ulegając uszkodzeniu. Przy długich markizach materiał na środku może zwisać.
- Markizę można wsunąć tylko wówczas, gdy nie znajdują się na niej zanieczyszczenia (gałęzie, liście itp.). W przeciwnym razie może ulec uszkodzeniu.
- Chronić markizę od brudu, przetarc, plam i pleśni.
- Mokrą markizę wsuwać tylko w przypadku zagrożenia bezpieczeństwa. Wysunąć ją ponownie, gdy to tylko możliwe. W przeciwnym razie może dojść do powstania pleśni lub plam albo mogą wyblaknąć kolory.
- Nie wyginać ramienia markizy lub osłony w dół w celu usunięcia z niej wody. Powstałe w ten sposób zdeformowanie może spowodować, że markiza nie będzie działać prawidłowo.
- Nie wieszac żadnych przedmiotów na markizie, ani na przedniej osłonie ani na ramionach.
- Nie używać sprayu (np. do owadów, do włosów) w pobliżu markizy. Spray spowoduje zabrudzenie, przez które materiał utraci zdolność sprzeczania wody.
- Jeżeli po zamontowaniu markizy ponad drzwiami nie pozostaje wystarczająco dużo wolnego miejsca, podczas rozwijania oraz zwijania drzwi muszą pozostać zamknięte, aby uniknąć ich kontaktu z ramionami lub szyną główną. Niezbędne wolne miejsce zależy od rodzaju konstrukcji drzwi (szerokość drzwi, drzwi uchylne lub przesuwane) oraz ustawionego kąta nachylenia markizy.

### 3 W zestawie

Liczba	Nazwa
1	Markiza
1	Ręczna korbka (tylko przy markizach bez silnika) Korbka awaryjna (tylko przy markizach z silnikiem)
1	Pilot (tylko przy markizach z silnikiem)
4	Szpilka
1	Instrukcja obsługi
1	Instrukcja montażu

### 4 Osprzęt

Elementy dostępne jako akcesoria (nie dostępne w zestawie):

Nazwa
Zestaw TieDown
Pasy do mocowania markizy
Dometic Light LK120
Zestaw lamp LED z pilotem do montażu na ramionach markizy
LED LightStrip
Listwa LED dostępna w różnych długościach do montażu na spodniej stronie markizy
Profil LED
Oświetlenie LED dostępne w różnych długościach do montażu na spodniej stronie markiz ściennych
Preparat do czyszczenia markizy
Specjalny preparat do czyszczenia markizy
Zestaw naprawczy
Łatka do naprawiania markizy
Przełącznik ścienny

## 5 Użytkowanie zgodne z przeznaczeniem

Markiza PerfectWall PW3800 nadaje się do montażu na pojazdach kempingowych lub przyczepach kempingowych.

Markizę można wykorzystywać tylko w czasie postoju.

## 6 Opis techniczny

Markizy PerfectWall PW3800 można wysuwać i wsuwać za pomocą silnika 12 V sterowanego pilotem lub przełącznikiem (osprzęt).

Oprócz tego markizy PerfectWall PW3800 można wysuwać i wsuwać za pomocą korbki ręcznej.

Markiza ma konstrukcję samonośną. Zintegrowane podpory można przymocować z boku pojazdu lub do ziemi w celu utrzymywania szyny głównej na stałej wysokości.

### Elementy sterujące pilotą (tylko przy markizach z silnikiem)

Poz. na rys. <b>1</b> , strona 3	Nazwa
1	Wsuvanie markizy
2	Zatrzymanie
3	Wysuwanie markizy
4	Wyłączanie/Włączenie oświetlenia LED (osprzęt)

### Elementy sterujące przełącznika ściennego (osprzęt)

Poz. na rys. <b>1</b> , strona 3	Nazwa
1	Wsuvanie markizy
2	Zatrzymanie
3	Wysuwanie markizy
4	Wyłączanie/Włączenie oświetlenia LED (osprzęt)

## 7 Obsługa markizy

Należy stosować się do uwag dot. Bezpieczeństwa w rozdz. „Wskazówki bezpieczeństwa” na stronie 185.

### 7.1 Wskazówki dot. miejsca postoju pojazdu



#### **OSTRZEŻENIE! Ryzyko obrażeń!**

Należy zachować wystarczającą odległość od przedmiotów lub innych pojazdów. Po wysunięciu markizy minimalna odległość musi wynosić 40 cm.



#### **UWAGA!**

- Pojazd parkować tak, aby na markizę nie spadały żadne zanieczyszczenia (gałęzie, liście itp.).
- Chronić markizę od brudu, przetarć, plam i pleśni.

### 7.2 Wysuwanie markizy

#### **Wysuwanie markizy za pomocą korbki ręcznej**

- Zablokować korbkę ręczną w mocowaniu markizy (rys. **2**, strona 3).
- Przekręcić korbkę ręczną tak, aby markiza wysunęła się do pożądanej pozycji (rys. **3**, strona 4).
- Przekręcić korbkę ręczną o ok. 1/4 obrotu z powrotem, aby naprężyć materiał.



#### **UWAGA! Ryzyko uszkodzenia!**

Materiał markizy nie może zwisać, musi być stale napięty. Zwisający materiał może ocierać się o ramiona, ulegając uszkodzeniu. Przy długich markizach materiał na środku może zwisać.

- Wyczepić korbkę ręczną z mocowania markizy.

## Wysuwanie markizy za pomocą silnika (opcja)



### WSKAZÓWKA

#### Wyłącznie przy obsłudze za pomocą pilota:

- Gdy pojazd zostaje uruchomiony, markiza wsuwa się automatycznie. Gdy pojazd jedzie, markiza jest blokowana i nie można jej wysuwać.
- Odbiornik wydaje sygnał dźwiękowy raz po włączeniu.
- Działanie pilota może być zakłócone falami radiowymi, jeśli w pobliżu znajduje się inne urządzenie używające tej samej częstotliwości.
- Trzymać pilota w bezpiecznym miejscu podczas jazdy. Magnes w uchwycie nie jest przeznaczony do silnych wibracji, takich jak gwałtowne hamowanie.

- Przycisnąć przycisk ▽ aż do wysunięcia się markizy do żadanego położenia.



### UWAGA! Ryzyko uszkodzenia!

Materiał markizy nie może zwisać, musi być stale napięty. Zwisający materiał może ocierać się o ramiona, ulegając uszkodzeniu. Przy długich markizach materiał na środku może zwisać.

## 7.3 Wsuwanie markizy



### UWAGA!


- Markizę można wsunąć tylko wówczas, gdy nie znajdują się na niej zanieczyszczenia (gałęzie, liście itp.). W przeciwnym razie może ulec uszkodzeniu.
- Chronić markizę od brudu, przetarć, plam i pleśni.
- Podczas wsuwania uważać, aby nie zakleszczyły się gałęzie lub inne przedmioty.
- W przypadku wsunięcia wilgotnej markizy należy przy najbliższej okazji wysunąć ją i pozostawić do wyschnięcia. Jeśli wilgotny materiał jest przez dłuższy czas zrolowany, może zapleśnieć i wyblaknąć.

- Usunąć wszelkie zanieczyszczenia (gałęzie, liście itp.) znajdujące się na materiale.

### Wsuwanie markizy za pomocą korbki ręcznej

- ▶ Górny koniec korbki ręcznej zablokować w uchwycie markizy.
- ▶ Kręcić korbką ręczną do momentu całkowitego wsunięcia markizy.
- ▶ Przed odjazdem upewnić się, że markiza jest całkowicie wsunięta. Szyna główna musi mocno przylegać do obudowy.
- ▶ Wyczepić korbkę ręczną z mocowania markizy.

### Wsuwanie markizy za pomocą silnika (opcja)

- ▶ Przyciskać przycisk  aż do całkowitego wsunięcia się markizy.
- ▶ Przed odjazdem upewnić się, że markiza jest całkowicie wsunięta. Szyna główna musi mocno przylegać do obudowy.

## 7.4 Regulacja kąta nachylenia



### WSKAZÓWKA

W przypadku wykorzystania podpór możliwe jest zmniejszenie kąta nachylenia, patrz rozdz. „Wykorzystywanie podpór” na stronie 192.

- ▶ Regulować nakrętkę aż do uzyskaniażądanego kąta nachylenia markizy (rys. **4** 1, strona 4).

## 7.5 Wykorzystywanie podpór

### Rozkładanie podpór

- ▶ Zsunąć całkowicie prawą podporę w osłonie przedniej tak, aby możliwe było jej swobodne przemieszczanie (rys. **5**, strona 5).
- ▶ Obrócić prawą podporę w bok (rys. **5**, strona 5).
- ▶ Rozłożyć prawą podporę w dół i postawić na ziemi (rys. **6**, strona 5).
- ▶ Ustawić żądaną wysokość podpory (rys. **7**, strona 6).
- ▶ Dźwignię podpory przestawić w górę, aby ją zablokować (rys. **8**, strona 6).
- ▶ Tak samo postąpić z drugą podporą.



## Stawianie podpór na ziemi



### **OSTRZEŻENIE! Ryzyko obrażeń!**

- Podpory zawsze stawiać wyłącznie na stabilnym podłożu.
- Zabezpieczyć podpory przed poślizgiem.

- Ustawić podporę pionowo pod szyną główną.
- Zabezpieczyć podporę szpilkami (rys. **9**, strona 6).
- Jedną podporę stawić trochę niżej, aby szyna główna wisała pod lekkim skosem. Ułatwi to spływanie deszczu (rys. **10**, strona 7).

## Mocowanie podpór do pojazdu

Po zamontowaniu odpowiednich blokad możliwe jest mocowanie markizy bezpośrednio do pojazdu.

- Przesunąć osłonę blokady w górę (rys. **11**, strona 7).
- Zaczepić podporę w blokadzie (rys. **11**, strona 7).
- Przesunąć osłonę blokady w dół (rys. **11**, strona 7).
- Jedną podporę stawić trochę niżej, aby szyna główna wisała pod lekkim skosem. Ułatwi to spływanie deszczu (rys. **12**, strona 7).

## Składanie podpór

- Zwolnić mocowanie podpór (szpilki lub blokady na pojeździe).
- Przesunąć dźwignię prawej podpory w dół, aby ją odblokować.
- Całkowicie zsunąć podporę.
- Prawą podporę złożyć do góry.
- Obrócić prawą podporę w stronę szyny głównej.
- Wsunąć dolną część prawej podpory w blokadę szyny głównej.
- Tak samo wsunąć drugą podporę.

## 7.6 Ustawianie silnika (opcja)



### WSKAZÓWKA

Silnik 12 V jest wstępnie zamontowany w rurze nawojowej.

- ▶ Jeśli nie da się całkowicie wsunąć lub wysunąć markizy, należy ustawić silnik 12 V (rys. **16**, strona 8).

## 7.7 Wymiana baterii w pilocie i przełączniku ściennym (opcjonalny osprzęt)



### WSKAZÓWKA

Jeśli dioda LED znajdująca się na pilocie po naciśnięciu dowolnego przycisku **nie** zaświeci się, będzie to oznaczać, że bateria jest rozładowana.

- ▶ Otworzyć obudowę (rys. **16** 1, strona 8).
- ▶ Wyjąć starą baterię z zamocowania.
- ▶ Włożyć nową baterię (typ CR2450 dla pilota, typ CR2430 dla wyłącznika ściennego, rys. **16** 2, strona 8) do uchwytu ze znakami dodatnimi skierowanymi do góry.
- ▶ Ponownie złożyć pilota lub wyłącznik ścienny.



### Chroń środowisko naturalne!

Akumulatory i baterie nie zaliczają się do odpadów domowych. Uszkodzone akumulatory lub zużyte baterie należy przekazać do punktu sprzedaży lub punktu przyjmującego surowce wtórne.

# 8 Czyszczenie

## 8.1 Czyszczenie



### UWAGA! Ryzyko uszkodzenia!

- **Nigdy** nie czyścić markizy urządzeniem wysokociśnieniowym.
- Do czyszczenia nie używać agresywnych środków czyszczących lub twardych przedmiotów, gdyż mogą one uszkodzić produkt.

- Usuwać zabrudzenie (gałęzie, liście itp.) z markizy, aby uniknąć powstawania przetarć, plam i pleśni. Poza tym markiza może ulec uszkodzeniu podczas wsuwania.
- Regularnie czyścić materiał markizy, usuwając z niego kurz i brud.
  - Używać do tego mieszanki z 10 litrów wody i 30 ml płynu do mycia naczyń oraz 30 ml środka wybielającego.
  - Nanieść płyn czyszczący na materiał i pozostawić na pięć minut.
  - Spłukać dokładnie czystą wodą.  
Upewnić się, czy całkowicie został usunięty płyn czyszczący ze środkiem wybielającym. Pozostałości mogą uszkodzić materiał.
  - Pozostaw materiał do wysuszenia.

**WSKAZÓWKA**

Zalecenie producenta:

Do czyszczenia tkaniny stosować środek do czyszczenia markiz Dometic (nr art. 9600000165, dostępny u partnerów serwisowych).

## 8.2 Smarowanie

- W razie potrzeby należy posmarować przeguby markizy woskiem parafinowym, olejem teflonowym lub silikonowym.

## 8.3 Kontrola

**OSTRZEŻENIE!**

Nie używać markizy, gdy są konieczne regulacje lub naprawy.

W przypadku stwierdzenia uszkodzeń należy zwrócić się do partnera serwisowego działającego w danym kraju (adresy na odwrocie instrukcji).

- Regularnie kontrolować markizę pod kątem niewyważenia i zużycia oraz uszkodzeń jej krytycznych elementów.
- Należy regularnie sprawdzać:
  - czy materiał nie jest uszkodzony,
  - czy ramiona oraz szyna główna nie są uszkodzone i nie widać na nich śladów zużycia,
  - czy markiza zamyka się prawidłowo.

## 8.4 Dokręcanie śrub przegubów ramienia

Śruby w przegubie ramienia po pierwszych obciążeniach muszą zostać dociągnięte:

- po pierwszym urlopie z wykorzystaniem markiz,
- po przebyciu 20000 km lub po sześciu miesiącach od zamontowania markizy (zależnie od tego, co nastąpi jako pierwsze).

Śruby w przegubie ramienia powinny być kontrolowane podczas regularnych inspekcji pojazdu.

W celu dokręcenia śrub należy zwrócić się do partnera serwisowego.

### Wskazówki odnośnie serwisowania (rys. 17, strona 8)



#### UWAGA!

Ramiona markizy muszą pozostawać nieobciążone. Ma to zapobiec nieprawidłowemu momentowi dokręcenia śrub.

- Należy lekko unieść szynę główną, aby uwolnić od obciążenia przeguby.
- Dociągnąć śruby momentem 15 – 25 Nm.

## 8.5 Łatanie drobnych dziur w materiale

Małe dziury w materiale lub miejscach, w których powłoka rozchodzi się, można załatać samodzielnie:

- W tym celu należy wetrzeć bawełnianą ściereczką wokół uszkodzonego miejsca małą ilość płynnego plastra winylowego (nr art. 9103104018, dostępny za pośrednictwem partnera serwisowego).
- ✓ Płynny plaster winylowy zmienia właściwości powłoki, która zamyka dziurę podczas schnięcia.
- Przed wsunięciem markizy należy odczekać, aż miejsce załatania wyschnie.

## 9 Usuwanie usterek



### WSKAZÓWKA

W przypadku stwierdzenia usterek, których nie można usunąć na podstawie wskazówek zawartych w poniższej tabeli, należy zwrócić się do partnera serwisowego działającego w danym kraju (adresy na odwrocie instrukcji).

Usterka	Możliwa przyczyna	Proponowane rozwiązanie
Silnik nie reaguje na pilota.	Bateria w pilocie jest pusta.	Przez chwilę naciśnięć jeden z przycisków $\triangle$ lub $\nabla$ . Jeśli dioda LED w pilocie się nie zaświeci, będzie to oznaczać, że bateria jest pusta. Wymień baterię, zob. rozdz. „Wymiana baterii w pilocie i przełączniku ściennym (opcjonalny osprzęt)” na stronie 194.
	Pilot nie jest ustawiony względem silnika lub ustawienie jest nieprawidłowe.	Przeprogramować pilota, zob. instrukcja montażu.
	Brak zasilania.	Sprawdzić połączenia elektryczne.
	Silnik jest uszkodzony.	Wsunąć markizę ręcznie i skontaktować się z partnerem serwisowym w danym kraju.

## 10 Gwarancja

Warunki gwarancji zostały opisane w Karcie Gwarancyjnej dołączonej do produktu.

W celu naprawy lub rozpatrzenia gwarancji konieczne jest przesłanie:

- kopii rachunku z datą zakupu,
- informacji o przyczynie reklamacji lub opisu wady.

## 11 Utylizacja

- Opakowanie należy wyrzucić do odpowiedniego pojemnika na śmieci do recyklingu.



Jeżeli produkt nie będzie dłużej eksploatowany, koniecznie dowiedz się w najbliższym zakładzie recyklingu lub w specjalistycznym sklepie, jakie są aktualnie obowiązujące przepisy dotyczące utylizacji.

## 12 Dane techniczne

PerfectWall PW 3800					
Szerokość:	4 m	4,5 m	5 m	5,5 m	6 m
Długość po wyciągnięciu:	2,7 m				
Waga:	43 kg	46 kg	49 kg	53 kg	57 kg

Silnik 12 V	
Napięcie zasilania:	12 V $\overline{=}$ (11 – 15 V)
Natężenie prądu:	7 A
Moc wyjściowa:	84 W
Moment obrotowy:	35 Nm
Kontrola/certyfikat:	<b>CE</b>



### VÝSTRAHA!

- Před použitím, čištěním a provedením údržby si musíte přečíst tento návod a porozumět jeho obsahu.
- Výrobek musí instalovat odborník. Následkem nesprávné montáže může dojít k vážným úrazům. Provedení přestaveb výrobku může být mimořádně nebezpečné a může mít za následek vážné úrazy nebo poškození přístroje.
- Tento návod musí zůstat u výrobku. Majitel si jej musí pozorně přečíst.

## Obsah

1	Pokyny k používání tohoto návodu . . . . .	200
2	Bezpečnostní pokyny . . . . .	200
3	Obsah dodávky . . . . .	202
4	Příslušenství . . . . .	203
5	Použití v souladu se stanoveným účelem . . . . .	203
6	Technický popis . . . . .	204
7	Obsluha markýzy . . . . .	204
8	Čištění a péče . . . . .	209
9	Odstraňování poruch a závad . . . . .	211
10	Záruka . . . . .	212
11	Likvidace . . . . .	212
12	Technické údaje . . . . .	212

# 1 Pokyny k používání tohoto návodu



## VÝSTRAHA!

**Bezpečnostní pokyny:** Následkem nedodržení pokynů mohou být smrtelná nebo vážná zranění.



## POZOR!

Nedodržení pokynů může mít za následek hmotné škody a narušení funkce výrobku.



## POZNÁMKA

Doplňující informace týkající se obsluhy výrobku.

# 2 Bezpečnostní pokyny

## **Dodržujte předepsané bezpečnostní pokyny a předpisy vydané výrobcem vozidla a autoservisem!**

V následujících případech nepřebírá výrobce žádné záruky za škody:

- Poškození výrobku působením mechanických vlivů a přepětí
- Změna výrobku bez výslovného souhlasu výrobce
- Použití k jiným účelům, než jsou popsány v tomto návodu

## **Respektujte následující výstražné pokyny:**



## VÝSTRAHA!

- Před zahájením jízdy zkontrolujte, zda je markýza kompletně zasunutá. Pokud je markýza vysunutá, nikdy nepojíždějte vozidlem.
- Nikdy nejezděte se zasunutou klikou. Před zahájením jízdy kliku sundejte.
- Nejezděte s vozidlem, pokud je plachta poškozená nebo natržená, i když je markýza řádně zasunutá! Plachta drží ramena markýzy. Pokud se plachta za jízdy roztrhne, markýza se náhle vysune. Může dojít k vážným úrazům. Zajistěte markýzu tak, aby se nemohla za jízdy náhle a nečekaně vysunout.
- Markýzu **nevysunujte** za jízdy.
- **Nevysunujte** markýzu za silného větru nebo sněžení.
- Pokud očekáváte silný vítr, déšť nebo sněžení, markýzu zasuňte.



- Dávejte pozor, aby se na plachtě nehromadila voda nebo sníh. V opačném případě může dojít k poškození markýzy nebo ke zlomení ramen markýzy s následným vážným nebo smrtelným úrazem.
- Za následujících okolností se nepřibližujte k markýze:
  - Markýza zůstala za silného větru vysunutá,
  - Na markýze se vytvořily kaluže vody,
  - Došlo k nahromadění sněhu,
  - Na plátně markýzy je velké množství hrubých nečistot.Markýza se může náhle nečekaně pohnout, může být nestabilní a ohnout se nebo zlomit.
- **S volitelným pohonem:** Pokud je připojovací kabel markýzy poškozen, musí být nahrazen odborníkem.
- **S volitelným pohonem:** Před čištěním vozidla v blízkosti markýzy nebo samotné markýzy odpojte napájení pomocí vypínače.
- Nenechávejte vysunutou markýzu bez dozoru. Dříve, než opustíte své stání, musíte markýzu zasunout.
- Při grilování pamatujte na dostatečnou vzdálenost markýzy od otevřeného ohně. Může dojít k poškození plachty vysokou teplotou nebo k jejímu požáru.
- Tento přístroj mohou používat děti od 8 let a osoby se sníženými fyzickými, sensorickými nebo mentálními schopnostmi, nebo osoby s nedostatkem zkušeností a znalostí, pokud budou pod dozorem, nebo pokud byly poučeny o bezpečném použití přístroje a rozumějí nebezpečím, která z použití výrobku vyplývají.
- **S volitelným pohonem: Elektrické přístroje nejsou hračky pro děti!**  
Dálkový ovladač uchovávejte tak, aby k němu neměly přístup děti. Zabraňte dětem, aby si hrály se stěnovým spínačem (příslušenství).
- Děti musejí být pod dohledem tak, aby si s přístrojem nehrály.



## POZOR!

- Zaparkujte obytný vůz nebo karavan tak, aby nemohlo dojít ke znečištění plachty (větve, listy apod.).
- Plachta markýzy nesmí být na okrajích prověšená, musí být vždy napnutá. V případě, že je plachta prověšená, může dřít o ramena a může dojít k jejímu poškození.  
V případě dlouhých markýz může být plachta uprostřed prověšená.
- Markýzu smíte složit pouze za předpokladu, že na plachtě nejsou žádné nečistoty (větve, listy apod.). V opačném případě může dojít při zasouvání markýzy k jejímu poškození.

- Chraňte markýzu před nečistotami, prodřením, skvrnami a plísněmi.
- Mokrou markýzu zasouvejte pouze z bezpečnostních důvodů. Jakmile je to opět možné, ihned ji vysuňte. V opačném případě se mohou vytvořit skvrny nebo plísně, nebo může dojít k vyblednutí barvy.
- Nikdy neohýbejte ramena markýzy nebo clonu dolů k tomu, abyste nechali z markýzy odtéct vodu. Může dojít ke zdeformování markýzy a nepříznivému ovlivnění její funkce.
- Nevěšete na markýzu, na čelní clonu ani na ramena markýzy žádné předměty.
- Nepoužívejte v blízkosti markýzy žádné spreje (např. repelenty, tužidla na vlasy apod.). Následkem je znečištění plachty nebo ztráta její impregnace.
- Pokud po montáži markýzy není nad dveřmi dostatečný volný prostor, musejí dveře během zasouvání nebo vysouvání zůstat zavřené, aby se zabránilo kontaktu dveří s rameny nebo hlavní lištou. Požadovaný volný prostor závisí na typu dveří (šířka dveří, otočné nebo výsuvné dveře) a nastaveném úhlu sklonu markýzy.

### 3 Obsah dodávky

Počet	Název
1	Markýza
1	Klika (pouze markýzy bez pohonu) Nouzová klika (pouze markýzy s pohonem)
1	Rádiové dálkové ovládání (pouze markýzy s pohonem)
4	Kolík
1	Návod k obsluze
1	Návod k montáži

## 4 Příslušenství

Dostupné jako příslušenství (není součástí dodávky):

### Název

TieDown Kit

Popruhy k napnutí markýzy

Dometic Light LK120

Sada osvětlení LED s dálkovým ovladačem k montáži na ramena markýzy

LED LightStrip

LED pásek k dispozici v různých délkách pro instalaci na spodní stranu markýzy

Profily LED

LED osvětlení k dispozici v různých délkách pro instalaci na spodní stranu markýzy montované na stěnu

Prostředek k čištění markýz

Speciální prostředek k čištění markýz

Sada na opravu

Záplata na opravu markýzy

Stěnový spínač

## 5 Použití v souladu se stanoveným účelem

Markýza PerfectWall PW3800 je vhodná k instalaci na obytné vozy nebo karavany.

Markýzu používejte pouze na zaparkovaném vozidle.

## 6 Technický popis

Markýzy PerfectWall PW 3800 lze vysouvat a zasouvat pohonem 12 V, který je řízen dálkovým ovladačem nebo stěnovým spínačem (příslušenství).

Markýzy PerfectWall PW 3800 lze dále zasouvat a vysouvat pomocí ruční kliky.

Markýza je samonosná. Integrované opěry lze namontovat na boku vozidla nebo na zemi k podepření výšky hlavní lišty.

### Ovládací prvky na dálkovém ovládnání (pouze markýzy s pohonem)

Poz. na obr. <b>1</b> , strana 3	Název
1	Zasunutí markýzy
2	Stop
3	Vysunutí markýzy
4	Zapnutí/vypnutí osvětlení LED (příslušenství)

### Ovládací prvky stěnového spínače (příslušenství)

Poz. na obr. <b>1</b> , strana 3	Název
1	Zasunutí markýzy
2	Stop
3	Vysunutí markýzy
4	Zapnutí/vypnutí osvětlení LED (příslušenství)

## 7 Obsluha markýzy

Pozornost věnujte bezpečnostním pokynům v kap. „Bezpečnostní pokyny“ na straně 200.

## 7.1 Pokyny k výběru stání vozidla



### VÝSTRAHA! Nebezpečí úrazu.

Pamatujte na dostatečnou vzdálenost od předmětů a jiných vozidel. Po vysunutí musí zůstat v okolí od ostatních předmětů nebo vozidel minimální vzdálenost 40 cm.



### POZOR!

- Zaparkujte vozidlo tak, aby nemohlo dojít ke znečištění plachty (větvě, listy apod.).
- Chraňte markýzu před nečistotami, prodřením, skvrnami a plísňemi.

## 7.2 Vysunutí markýzy

### Vysunutí markýzy ruční klikou

- Upevněte kliku do vybrání v markýze (obr. **2**, strana 3).
- Otáčejte klikou, dokud markýzu nevysunete do požadované polohy (obr. **3**, strana 4).
- Otočte ruční kliku cca o 1/4 otáčky zpět, tím vypnete plachtu.



### POZOR! Pozor, aby nedošlo k poškození.

Plachta markýzy nesmí být na okrajích prověšená, musí být vždy napnutá. V případě, že je plachta prověšená, může dřít o ramena a může dojít k jejímu poškození.

V případě dlouhých markýz může být plachta uprostřed prověšená.

- Uvolněte ruční kliku z vybrání v markýze.

### Vysunutí markýzy pohonem (volitelné)



### POZNÁMKA

#### Pouze k ovládání dálkovým ovladačem:

- Při nastartování vozidla se markýza automaticky zatáhne. Během jízdy vozidla je markýza zablokovaná a nelze ji vysunout.
- Přijímač vydá při zapnutí jednou krátký tón.
- Provoz dálkového ovladače může být narušen poruchami rádiového spojení, pokud je v blízkosti používán jiný přístroj o stejné frekvenci.
- Dálkový ovladač uschovejte během jízdy na bezpečném místě. Magnet v držáku není určen pro silné vibrace, například náhlé brzdění.

- ▶ Stiskněte tlačítko ▽, dokud markýzu nevyusunete do požadované polohy.



### **POZOR! Pozor, aby nedošlo k poškození.**

Plachta markýzy nesmí být na okrajích prověšená, musí být vždy napnutá. V případě, že je plachta prověšená, může dřít o ramena a může dojít k jejímu poškození.

V případě dlouhých markýz může být plachta uprostřed prověšená.

## **7.3 Zasunutí markýzy**



### **POZOR!**

- Markýzu smíte složit pouze za předpokladu, že na plachtě nejsou žádné nečistoty (větvě, listy apod.). V opačném případě může dojít při zasouvání markýzy k jejímu poškození.
- Chraňte markýzu před nečistotami, prodřením, skvrnami a plísněmi.
- Při zasouvání markýzy pamatujte, že nesmí dojít k zachycení větví ani jiných předmětů.
- Pokud zasunete vlhkou markýzu, vysuňte ji při nejbližší příležitosti znovu a nechejte plachtu vyschnout. V případě, že zůstane vlhká plachta delší dobu zasunutá, začne plesnivět a může dojít k jejímu vyblednutí.

- ▶ Odstraňte z plachty nečistoty (větvě, listy apod.).

### **Zasunutí markýzy ruční klikou**

- ▶ Umístěte horní konec ruční kliky do závěsu v markýze.
- ▶ Otáčejte ruční klikou, dokud nebude markýza kompletně zasunutá.
- ▶ Před zahájením jízdy zkontrolujte, zda je markýza kompletně zasunutá. Hlavní lišta musí těsně přiléhat ke skříni.
- ▶ Uvolněte ruční kliku z vybrání v markýze.

### **Zasunutí markýzy pohonem (volitelné)**

- ▶ Stiskněte tlačítko △, dokud se markýza zcela nezasune.
- ▶ Před zahájením jízdy zkontrolujte, zda je markýza kompletně zasunutá. Hlavní lišta musí těsně přiléhat ke skříni.

## 7.4 Nastavení úhlu sklonu



### POZNÁMKA

Při nastavení opěr lze snížit úhel sklonu, viz kap. „Nastavení opěr“ na straně 207.

- Nastavujte matici, dokud markýza nebude pod požadovaným úhlem sklonu (obr. **4** 1, strana 4).

## 7.5 Nastavení opěr

### Umístění opěr

- Zasuňte pravou opěru v čelní cloně kompletně tak, abyste se mohli volně pohybovat (obr. **5**, strana 5).
- Vychylte pravou opěru do strany (obr. **5**, strana 5).
- Vyklopte pravou opěru dolů stranou a postavte ji na zem (obr. **6**, strana 5).
- Nastavte požadovanou výšku opěry (obr. **7**, strana 6).
- Vyklopte páku opěry nahoru tak, abyste opěru zajistili (obr. **8**, strana 6).
- Druhou opěru vysuňte stejným způsobem.

### Upevnění opěry na zemi



### VÝSTRAHA! Nebezpečí úrazu!

- Opěry postavte výhradně na pevný podklad.
- Zajistěte opěry proti uklouznutí.

- Umístěte opěru svisle pod hlavní lištu.
- Zajistěte opěru pomocí kolíků (obr. **9**, strana 6).
- Jednu opěru umístěte o něco níže tak, aby hlavní lišta visela mírně šikmo. Děšť tak může přímo odtékat (obr. **10**, strana 7).

### Upevnění opěr o vozidlo

Markýzu můžete upevnit přímo na vozidlo, pokud jste namontovali aretační prvky pro opěry.

- Přesuňte kryty aretace nahoru (obr. **11**, strana 7).
- Zavěste opěru do aretačního prvku (obr. **11**, strana 7).

- Přesuňte kryt aretace dolů (obr. **11**, strana 7).
- Jednu opěru umístíte o něco níže tak, aby hlavní lišta visela mírně šikmo. Děšť tak může přímo odtékat (obr. **12**, strana 7).

### Vložení opěr

- Uvolněte upevnění opěr (kolíky nebo aretaci z vozidla).
- Vyklopte páku pravé opěry dolů tak, abyste opěru uvolnili.
- Složte opěry kompletně dohromady.
- Vyklopte pravou opěru nahoru.
- Otočte pravou opěru do hlavní lišty.
- Zasuňte dolní díl pravé opěry do aretace hlavní lišty.
- Druhou opěru zasuňte stejným způsobem.

## 7.6 Nastavení pohonu (volitelné)



### POZNÁMKA

12 V pohon je předem namontován v hřídeli plachty.

- Pokud se markýza již zcela nezavírá nebo neotevívá, potom nastavte 12 V pohon (obr. **15**, strana 8).

## 7.7 Výměna baterií dálkového ovladače a stěnového spínače (příslušenství) (volitelné)



### POZNÁMKA

Pokud se po stisknutí některého z tlačítek **nerozsvítí** LED dálkového ovladače, baterie dálkového ovladače je vybitá.

- Otevřete kryt (obr. **16** 1, strana 8).
- Vyjměte starou baterii z držáku.
- Vložte novou baterii (typ CR2450 pro dálkový ovladač, typ CR2430 pro stěnový spínač, obr. **16** 2, strana 8) do držáku kladnou svorkou směrem nahoru.
- Dálkový ovladač nebo stěnový spínač znovu namontujte.





### Chraňte životní prostředí!

Akumulátory a baterie nepatří do domovního odpadu.

Odevzdejte vadné akumulátory nebo vybité baterie prodejci nebo na sběrném místě.

## 8 Čištění a péče

### 8.1 Čištění



#### POZOR! Pozor, aby nedošlo k poškození.

- **Nikdy** nečistěte markýzu vysokotlakým čističem.
- Nepoužívejte k čištění čisticí písky nebo tvrdé předměty, může dojít k poškození výrobku.

- Odstraňte jakoukoliv nečistotu (větve, listy apod.), která leží na plachtě tak, aby nedošlo k prodření, vzniku skvrn nebo plesnivění. Kromě toho se může markýza během zasouvání poškodit.
- Pravidelně čistěte plachtu markýzy a odstraňujte prach a nečistoty:
  - Používejte k tomu vodu s 30 ml pracího prostředku a 30 ml bělicího prostředku na 10 litrů vody.
  - Čistěte plachtu tímto roztokem a nechejte čisticí kapalinu pět minut působit.
  - Potom plachtu řádně opláchněte čistou vodou.
 Zajistěte, aby došlo k úplnému smytí čisticí kapaliny s bělicím prostředkem. V opačném případě může dojít k poškození plachty.
  - Nechejte plachtu vyschnout.



#### POZNÁMKA

Výrobce doporučuje:

Používejte k praní utěrky prostředek k čištění markýz Dometic (výr. č. 9600000165, dodává servisní partner).

### 8.2 Mazání

- Podle potřeby namažte klouby markýzy parafínovým voskem, teflonovým nebo silikonovým olejem.

## 8.3 Kontrola



### VÝSTRAHA!

Markýzu nepoužívejte, pokud je nutné nastavení nebo oprava. Zjištěné škody vždy nechejte opravit servisního partnera v příslušné zemi (adresy viz zadní strana návodu).

- ▶ Pravidelně kontrolujte, zda není markýza nevyvážená nebo poškozená a opotřebená na kritických částech.
- ▶ Markýzu pravidelně kontrolujte:
  - Není plachta poškozená?
  - Nejsou poškozena ramena a hlavní lišta, nejsou tyto díly opotřebené?
  - Zasouvá se markýza správně?

## 8.4 Dotažení šroubů zadních kloubových závěsů

Po prvním zatížení musíte dotáhnout šrouby na zadním kloubovém závěsu:

- po první dovolené s markýzou
- Po 20 000 km jízdy nebo po šesti měsících po instalaci markýzy (platí podmínka, která nastane dříve)

Kromě toho je nutné kontrolovat šrouby na kloubovém závěsu při pravidelných kontrolách vozidla.

S dotažením šroubů kontaktujte svého servisního partnera.

### Pokyny pro servis (obr. 17, strana 8)



### POZOR!

Ramena markýzy musejí být nezatížena. Tím je zabráněno zkreslení utahovacího momentu šroubů.

- ▶ Mírně zvedněte hlavní lištu, aby klouby nebyly zatíženy.
- ▶ Dotáhněte šrouby momentem 15–25 Nm.

## 8.5 Vyspravení drobných trhlin v plachtě

Drobné trhliny v plachtě nebo místa, na kterých se uvolňuje povrchová úprava, můžete vyspravit vlastními silami:

- ▶ Vetřete bavlněnou utěrkou kolem poškozeného místa menší množství kapalného vinylového roztoku (obj. č. 9103104018, dodává váš servisní partner).
- ✓ Kapalný vinylový roztok uvolní povrchovou úpravu. Tato povrchová úprava po vyschnutí zapraví otvor.
- ▶ Než markýzu zasunete vyčkejte, dokud opravované místo neuschne.

## 9 Odstraňování poruch a závad



### POZNÁMKA

Pokud nedokážete odstranit poruchu pomocí následující tabulky, obraťte se na příslušného servisního partnera ve vaší zemi (adresa viz zadní strana příručky).

Závada	Možná příčina	Návrh řešení
Pohon neodpovídá na dálkový ovladač.	Baterie dálkového ovladače je plochá.	Stiskněte krátce tlačítka $\triangle$ nebo $\nabla$ . LED dálkového ovladače se nerozsvítí, baterie je vybitá. Vyměňte baterii, viz kap. „Výměna baterií dálkového ovladače a stěnového spínače (příslušenství) (volitelně)” na straně 208.
	Dálkový ovladač již není nebo není správně nastaven na pohon.	Přeprogramujte dálkový ovladač, viz návod k montáži.
	Napájení není k dispozici	Zkontrolujte elektrické spoje.
	Pohon je vadný.	Markýzu zasuňte ručně a kontaktujte servisního partnera v příslušné zemi.

## 10 Záruka

Na výrobek je poskytována záruka v souladu s platnými zákony. Pokud je výrobek vadný, kontaktujte svého specializovaného prodejce nebo pobočku výrobce ve vaší zemi (adresy jsou uvedeny na zadní straně návodu).

K provedení opravy nebo záručního servisu musíte zaslat následující dokumentaci:

- kopii účtu s datem zakoupení,
- uvedení důvodu reklamace nebo popisu vady.

## 11 Likvidace

► Obalový materiál likvidujte v odpadu určeném k recyklaci.



Jakmile výrobek zcela vyřadíte z provozu, informujte se v příslušných recyklačních centrech nebo u specializovaného prodejce o příslušných předpisech o likvidaci odpadu.

## 12 Technické údaje

PerfectWall PW 3800					
Šířka:	4 m	4,5 m	5 m	5,5 m	6 m
Výsuv:	2,7 m				
Hmotnost:	43 kg	46 kg	49 kg	53 kg	57 kg

12 V pohon	
Napájecí napětí:	12 V $\equiv$ (11–15 V)
Intenzita proudu:	7 A
Výstupní výkon:	84 W
Krouticí moment:	35 Nm
Zkouška/certifikát:	<b>CE</b>



### OPOZORILO!

- Ta navodila je treba razumeti in prebrati pred uporabo, čiščenjem in vzdrževanjem.
- Ta izdelek mora montirati strokovnjak. Zaradi nepravilne montaže lahko pride do hudih poškodb. Predelave na izdelku so lahko zelo nevarne in povzročijo hude poškodbe ali škodo na napravi.
- Ta navodila morajo ostati ob izdelku. Lastnik jih mora pazljivo prebrati.

## Kazalo

1	Napotki za uporabo navodil . . . . .	214
2	Varnostni napotki . . . . .	214
3	Obseg dobave . . . . .	216
4	Dodatna oprema . . . . .	217
5	Uporaba v skladu z določili . . . . .	217
6	Tehnični opis . . . . .	217
7	Upravljanje markize . . . . .	218
8	Čiščenje in nega . . . . .	223
9	Odpravljanje težav . . . . .	225
10	Garancija . . . . .	225
11	Odstranjevanje . . . . .	226
12	Tehnični podatki . . . . .	226

# 1 Napotki za uporabo navodil



## OPOZORILO!

**Varnostni napotek:** Neupoštevanje lahko povzroči smrt ali težko poškodbo.



## OBVESTILO!

Neupoštevanje lahko povzroči materialno škodo in vpliva na delovanje izdelka.



## NASVET

Dopolnilne informacije za upravljanje naprave.

# 2 Varnostni napotki

**Upoštevajte navedene varnostne napotke in zahteve proizvajalca vozila ter servisnih delavnic.**

Proizvajalec ne prevzame odgovornosti za škode v naslednjih primerih:

- poškodbe proizvoda zaradi mehanskih vplivov in prenapetosti
- spremembe na proizvodu brez izrecnega dovoljenja proizvajalca
- uporaba v druge namene, kot so opisani v navodilih

**Upoštevajte naslednja opozorila:**



## OPOZORILO!

- Pred začetkom vožnje preverite, da je markiza popolnoma uvlečena. Ko je markiza izvlečena, ne premikajte vozila.
- Nikoli se ne vozite z vpeto ročico. Pred začetkom vožnje snemite ročico.
- Vozila ne vozite, če je blago poškodovano ali raztrgano, tudi če je markiza pravilno uvlečena. Blago drži roke markize. Če se blago med vožnjo raztrga, se markiza nenadoma sproži. Zaradi tega lahko pride do hudih poškodb. Markizo zavarujte tako, da se med vožnjo ne bo mogla nenadoma in nepričakovano izvleči.
- Med vožnjo markize **ne** odpirajte.
- Markize **ne** odpirajte pri močnem vetru ali med sneženjem.

- Uvlecite markizo, če obstaja nevarnost močnega vetra, dežja ali sneženja.
- Pazite, da se na blagu ne bo nabirala voda ali sneg. Sicer se markiza lahko poškoduje ali pa se roke markize odlomijo in tako povzročijo hude poškodbe ali poškodbe s smrtnim izidom.
- Ne približujte se markizi,
  - če je ostala odprta med močnim vetrom,
  - če se je na njen nabrala voda,
  - če se je na njej nabral sneg,
  - če je na njej veliko grobe umazanije.Markiza se lahko začne nepričakovano premikati, postane nestabilna in se lahko ukrivi ali odlomi.
- **Z izbirnim motorjem:** če je priključni kabel markize poškodovan, ga mora zamenjati strokovnjak.
- **Z izbirnim motorjem:** pred čiščenjem vozila v bližini markize ali pred čiščenjem same markize s stikalom izklopite napajanje.
- Izvlečeno markizo vedno nadzorujte. Uvlecite markizo, preden premaknete vozilo z mesta, kjer je parkirano.
- Žara z odprtim ognjem ne uporabljajte v bližini markize. Vročina lahko poškoduje blago ali pa se to lahko vname.
- To napravo lahko uporabljajo otroci, starejši od 8 let, in osebe z zmanjšanimi fizičnimi, senzoričnimi ali duševnimi sposobnostmi ali s pomanjkljivimi izkušnjami in znanjem, če so pod nadzorom tretje osebe ali če so bile poučene o varni uporabi naprave in razumejo nevarnosti, ki bi lahko nastale.
- **Z izbirnim motorjem: Električne naprave niso otroške igrače.** Daljinski upravljalnik hranite izven dosega otrok. Ne dovolite, da bi se otroci igrali s stenskim stikalom (dodatna oprema).
- Otroke je treba nadzorovati in tako zagotoviti, da se z napravo ne bodo igrali.



### OBVESTILO!

- Avtodom ali prikolico postavite tako, da na blago ne bo padal odpadni material (veje, listje in podobno).
- Blago markize ob robovih ne sme biti povešeno, temveč mora biti na vseh mestih napeto. Če je blago povešeno, se lahko drgne ob roke in poškoduje.  
Pri dolgih markizah je lahko blago povešeno na sredini.
- Markizo uvlecite le, če na blagu ni odpadnega materiala (vej, listja in podobnega). V nasprotnem primeru se lahko markiza poškoduje.

- Z markize odstranjujte umazanijo, da preprečite nastajanje odrgnin, madežev in plesni.
- Mokro markizo uvlecite le, če je to treba storiti zaradi varnosti. Čim prej jo znova izvlecite. Sicer lahko nastane plesen ali madeži oz. barva lahko zbledi.
- Roke markize ali sprednjega roba nikoli ne upogibajte navzdol, da bi voda odtekla z markize. Zaradi tega se markiza lahko zvije in več ne deluje pravilno.
- Ne obešajte predmetov na markizo, ne na sprednji rob ali na roki markize.
- V bližini markize ne uporabljajte pršil (npr. pršil proti insektom, pršil za lase). Sicer se lahko blago umaže ali pa vodoodbojnost več ne bo imela učinka.
- Če po montaži markize nad vrati ne ostane dovolj prostora, morajo vrata med uvlečenjem in izvlečenjem ostati zaprta, s čimer preprečite stik vrat z rokami ali glavnim vodilom.  
Potreben prostor je odvisen od načina izdelave vrat (širina vrat, nihajna ali drsna vrata) in nastavljenega nagibnega kota markize.

### 3 Obseg dobave

Količina	Opis
1	Markiza
1	Ročica (samo markize brez motorja) Ročica za upravljanje v sili (samo markize z motorjem)
1	Daljinski upravljalnik (samo markize z motorjem)
4	Klini
1	Navodila za upravljanje
1	Navodila za montažo



## 4 Dodatna oprema

Na voljo kot dodatna oprema (ni del obsega dobave):

### Opis

Komplet za privezovanje

Pasovi za privezovanje markize

Dometic Light LK120

LED-osvetlitev z daljinskim upravljalnikom za montažo na roke markize

LED LightStrip

Trak iz LED-lučk različnih dolžin za pritrditev na spodnji del markize

LED Profile

LED-osvetlitev različnih dolžin za pritrditev na spodnji del markiz, pritrjenih na steno

Awning cleaner

Posebno čistilo za markize

Repair Kit

Zaplate za krpanje markize

Stensko stikalo

## 5 Uporaba v skladu z določili

Markiza PerfectWall PW3800 je primerna za namestitev na avtodome ali prikolice.

Markiza se sme uporabljati le, ko vozilo stoji.

## 6 Tehnični opis

Markize PerfectWall PW3800 je mogoče izvleči in uvleči z uporabo 12 voltnega motorja, ki ga upravljate z daljinskim upravljalnikom ali stenskim stikalom (dodatna oprema).

Markize PerfectWall PW3800 je dodatno mogoče izvleči in uvleči z ročico.

Markiza je samonosna. Integrirane opore je mogoče montirati na strani vozila ali na tla, da bodo podpirale višino glavnega vodila.

## Gumbi daljinskega upravljalnika (samo markize z motorjem)

Št. na sl. <b>1</b> , stran 3	Opis
1	Uvlečenje markize
2	Ustavitev
3	Izvlačenje markize
4	Vklop/izklop LED-osvetlitve (dodatna oprema)

## Gumbi stenskega stikala (dodatna oprema)

Št. na sl. <b>1</b> , stran 3	Opis
1	Uvlečenje markize
2	Ustavitev
3	Izvlačenje markize
4	Vklop/izklop LED-osvetlitve (dodatna oprema)

# 7 Upravljanje markize

Upoštevajte varnostna navodila v razdelku pogl. „Varnostni napotki“ na strani 214.

## 7.1 Napotki glede mesta postavitve vozila



### **OPOZORILO! Nevarnost poškodb.**

Upoštevajte zadostno razdaljo do predmetov ali drugih vozil. Ko je markiza izvlečena, mora biti na vseh straneh od drugih predmetov ali vozil odmaknjena vsaj 40 cm.



### **OBVESTILO!**

- Vozilo postavite tako, da na blago ne bo padal odpadni material (veje, listje in podobno).
- Z markize odstranjujte umazanijo, da preprečite nastajanje odrgnin, madežev in plesni.

## 7.2 Izvlečenje markize

### Izvlečenje markize z ročico

- ▶ Ročica se mora zaskočiti v držalu markize (sl. **2**, stran 3).
- ▶ Vrtite ročico, dokler ni markiza izvlečena v zelenem položaju (sl. **3**, stran 4).
- ▶ Zavrtite ročico za pribl. 1/4 obrata nazaj, da napnete blago.



#### **OBVESTILO! Pazite, da ničesar ne poškodujete.**

Blago markize ob robovih ne sme biti povešeno, temveč mora biti na vseh mestih napeto. Če je blago povešeno, se lahko drgne ob roke in poškoduje.

Pri dolgih markizah je lahko blago povešeno na sredini.

- ▶ Snemite ročico z držala na markizi.

### Izvlečenje markize z motorjem (izbirno)



#### **NASVET**

##### **Samo za upravljanje z daljinskim upravljalnikom:**

- Ko zaženete vozilo, se markiza samodejno uvleče. Med premikanjem vozila je markiza blokirana in je ni mogoče izvleči.
- Sprejemnik enkrat zapiska, ko se vklopi.
- Na delovanje daljinskega upravljalnika lahko vplivajo motnje zaradi delovanja druge naprave v bližini, ki uporablja isto frekvenco.
- Daljinski upravljalnik naj bo med vožnjo spravljen na varnem mestu. Magnet v držalu ne prenese močnih vibracij, denimo zaradi močnega zaviranja.

- ▶ Pritiskajte gumb , dokler ni markiza izvlečena v zelenem položaju.



#### **OBVESTILO! Pazite, da ničesar ne poškodujete.**

Blago markize ob robovih ne sme biti povešeno, temveč mora biti na vseh mestih napeto. Če je blago povešeno, se lahko drgne ob roke in poškoduje.

Pri dolgih markizah je lahko blago povešeno na sredini.

## 7.3 Uvlečenje markize



### OBVESTILO!


- Markizo uvlecite le, če na blagu ni odpadnega materiala (vej, listja in podobnega). V nasprotnem primeru se lahko markiza poškoduje.
- Z markize odstranjujte umazanijo, da preprečite nastajanje odrgrnin, madežev in plesni.
- Pri uvlečenju markize pazite, da se vanjo ne bodo zapletle veje ali drugi predmeti.
- Če je markiza uvlečena, ko je mokra, jo izvlecite in pustite, da se blago posuši, ko bo to mogoče. Če ostane mokro blago dlje časa zvito, se bo začela nabirati plesen, barve pa lahko zbledijo.

- Z blaga odstranite odpadni material (veje, listje ali podobno).

### Uvlečenje markize z ročico

- Zgornji konec ročice mora zaskočiti v držalu markize.
- Vrtite ročico, dokler ni markiza do konca uvlečena.
- Pred začetkom vožnje se prepričajte, ali je markiza do konca uvlečena. Glavno vodilo mora biti tesno ob ohišju.
- Snemite ročico z držala na markizi.

### Uvlečenje markize z motorjem (izbirno)

- Pritiskajte gumb , dokler ni markiza do konca uvlečena.
- Pred začetkom vožnje se prepričajte, ali je markiza do konca uvlečena. Glavno vodilo mora biti tesno ob ohišju.

## 7.4 Nastavljanje naklonskega kota



### NASVET

Pri nastavljanju opor je mogoče zmanjšati naklonski kot, glejte pogl. „Nastavljanje opor“ na strani 221.

- Nastavljajte matico, dokler ni nastavljen želeni naklonski kot markize (sl. **4** 1, stran 4).

## 7.5 Nastavljanje opor

### Postavitev opor

- Desno oporo v sprednjem pregrinjalu potisnite do konca skupaj, da jo boste lahko prosto premikali (sl. **5**, stran 5).
- Obrnite desno oporo na stran (sl. **5**, stran 5).
- Zložite desno oporo in jo postavite na tla (sl. **6**, stran 5).
- Oporo nastavite na želeno višino (sl. **7**, stran 6).
- Dvignite ročaj opore, da jo fiksirate (sl. **8**, stran 6).
- Na enak način iztegnite še drugo oporo.

### Postavljanje opor na tla



#### **OPOZORILO! Nevarnost poškodb**

- Opre postavite samo na trdno podlago.
- Zavarujte opore, da ne bodo zdrsnile.

- Opre postavite navpično pod glavno vodilo.
- Opre zavarujte s klini (sl. **9**, stran 6).
- Eno oporo postavite nekoliko nižje, da bo glavno vodilo nekoliko pod kotom. Tako bo dež lahko brez težav odtekal (sl. **10**, stran 7).

### Pritrjevanje opor na vozilo

Markizo lahko pritrdite neposredno na vaše vozilo, če ste že montirali zapahe za opore.

- Potisnite pokrov zapaha navzgor (sl. **11**, stran 7).
- Opre vstavite v zapah (sl. **11**, stran 7).
- Potisnite pokrov zapaha navzdol (sl. **11**, stran 7).
- Eno oporo postavite nekoliko nižje, da bo glavno vodilo nekoliko pod kotom. Tako bo dež lahko brez težav odtekal (sl. **12**, stran 7).

### Vstavljanje opor

- Sprostite opore iz pritrdilnih elementov (kline ali zapahe na vozilu).
- Zložite ročaj desne opore, da jo sprostite.

- Opore potisnite do konca skupaj.
- Zložite desno oporo.
- Obrnite desno oporo v glavno vodilo.
- Potisnite spodnji del desne opore v zapah glavnega vodila.
- Na enak način uvlecite še drugo oporo.

## 7.6 Nastavljanje motorja (izbirno)



### NASVET

12 voltni motor je že vgrajen v navijalno cev.

- Če se markiza več ne zapre ali odpre do konca, nastavite 12 voltni motor (sl. **15**, stran 8).

## 7.7 Zamenjava baterij v daljinskem upravljalniku in stenskem stikalu (dodatna oprema) (izbirno)



### NASVET

Če se LED-lučka na daljinskem upravljalniku več **ne** prižge, ko pritisnete katerega od gumbov, je baterija v daljinskem upravljalniku prazna.

- Odprite ohišje (sl. **16** 1, stran 8).
- Staro baterijo vzemite iz držala.
- Vstavite novo baterijo (tipa CR2450 za daljinski upravljalnik, tipa CR2430 za stensko stikalo, sl. **16** 2, stran 8) v držalo, pozitivni priključek pa naj bo obrnjen navzgor.
- Zaprite daljinski upravljalnik oziroma stensko stikalo.



### Varujte vaše okolje!

Akumulatorji in baterije ne sodijo med gospodinjske odpadke.

Okvarjene akumulatorje ali izrabljene baterije oddajte pri trgovcu ali na zbirno mesto.

## 8 Čiščenje in nega

### 8.1 Čiščenje



#### **OBVESTILO! Pazite, da ničesar ne poškodujete.**

- Markize **nikoli** ne čistite z visokotlačnim čistilnikom.
- Za čiščenje ne uporabljajte agresivnih čistil ali trdih predmetov, saj lahko poškodujejo izdelek.

- Ves odpadni material (veje, listje ali podobno) odstranite z blaga markize, da preprečite nastajanje odrgnin, madežev in plesni. Markiza se lahko poškoduje tudi, ko je uvlečena.
- Redno čistite blago markize, da odstranite prah in umazanijo:
  - Za čiščenje uporabite vodo s 30 ml detergenta in 30 ml belila v 10 litrih vode.
  - Čistilno tekočino nanesite na blago in pustite delovati pet minut.
  - Nato temeljito sperite s čisto vodo.
 Preverite, ali ste sprali ves detergent z belilom. V nasprotnem primeru se blago lahko poškoduje.
  - Počakajte, da se blago posuši.



#### **NASVET**

Proizvajalec priporoča:

Za čiščenje blaga uporabite čistilo za markize Dometic (referenčna št. 9600000165, na voljo pri vašem servisnem partnerju).

### 8.2 Mazanje

- Po potrebi namažite zglobe markize s parafinskim voskom, teflonskim ali silikonskim oljem.

### 8.3 Pregledovanje



#### **OPOZORILO!**

Markize ne uporabljajte, če jo je treba nastaviti ali popraviti.

Če opazite poškodbe, se obrnite na servisnega partnerja v vaši državi (naslovi so navedeni na hrbtni strani navodil).

- Markizo redno pregledujte, če je kje neuravnotežena ter obrabljena in če so pomembnejši deli morda poškodovani.

- Na markizi redno pregledujte:
  - Je blago nepoškodovano?
  - So ročice in glavno vodilo nepoškodovani in ne kažejo znakov obrabe?
  - Se markiza pravilno zapira?

## 8.4 Privijanje vijake na zadnjem tečaju

Po prvih obremenitvah je treba vijake na zadnjem tečaju znova priviti:

- po prvem dopustu, ko ste markizo uporabili;
- po 20.000 km vožnje ali šestih mesecih po vgradnji markize (kaj od tega nastopi prej).

Vijake na zadnjem tečaju je treba preveriti ob rednih servisih pregledih vozila.

Za privijanje vijakov se obrnite na vašo servisno službo.

### Navodila za servisiranje (sl. 17, stran 8)



#### **OBVESTILO!**

Roki markize morata biti razbremenjeni. S tem preprečite neustrezen privijalni navor vijakov.

- Nekoliko dvignite glavno vodilo, da razbremenite tečaj.
- Vijake privijte z navorom 15 – 25 Nm.

## 8.5 Krpanje majhnih lukenj v blagu

Majhne luknje in mesta, s katerih je odstopil premaz, lahko zakrpate sami:

- Z bombažno krpo premažite predel okrog poškodovanega mesta z majhno količino tekočega vinilnega obliža (referenčna št. 9103104018, na voljo pri vašem servisnem partnerju).
- ✓ Tekoči vinilni obliž raztopi premaz. Premaz zapre luknjo, ko se posuši.
- Preden uvlečete markizo, počakajte, da se ta predel posuši.



## 9 Odpravljanje težav



### NASVET

Če težave ne uspete odpraviti s pomočjo tabele v nadaljevanju, se obrnite na servisnega partnerja v vaši državi (naslovi so navedeni na hrbtni strani navodil).

Napaka	Morebiten vzrok	Predlagani ukrep za odpravo napake
Motor se ne odziva na ukaze iz daljinskega upravljalnika.	Baterija v daljinskem upravljalniku je prazna.	Na kratko pritisnite gumb $\triangle$ ali $\nabla$ . Če se LED-lučka na daljinskem upravljalniku ne prižge, je baterija prazna. Zamenjajte baterijo; glejte razdelek pogl. „Zamenjava baterij v daljinskem upravljalniku in stenskem stikalu (dodatna oprema) (izbirno)“ na strani 222.
	Daljinski upravljalnik ni več ali je napačno nastavljen za motor.	Znova programirajte daljinski upravljalnik; glejte navodila za montažo.
	Ni napajanja	Preverite električne priključke.
	Motor je pokvarjen.	Ročno uvlcite markizo in se obrnite na servisnega partnerja v vaši državi.

## 10 Garancija

Na výrobek je poskytována záruka v souladu s platnými zákony. Pokud je výrobek vadný, kontaktujte svého specializovaného prodejce nebo pobočku výrobce ve vaší zemi (adresy jsou uvedeny na zadní straně návodu).

K provedení opravy nebo záručního servisu musíte zaslat následující dokumentaci:

- kopii účtu s datem zakoupení,
- uvedení důvodu reklamace nebo popis vady.

## 11 Odstranjevanje

- Embalažni material odložite na primernem mestu za zbiranje odpadkov za reciklažo.



Ko dokončno prenehate uporabljati napravo in jo nameravate zavreči, se o veljavnih okoljskih predpisih posvetujte z najbližjim središčem za zbiranje odpadkov za reciklažo ali pri svojem trgovcu.

## 12 Tehnični podatki

PerfectWall PW 3800					
Širina:	4 m	4,5 m	5 m	5,5 m	6 m
Izvlačeno:	2,7 m				
Masa:	43 kg	46 kg	49 kg	53 kg	57 kg

12 voltni motor	
Priključna napetost:	12 V $\overline{=}$ (11–15 V)
Jakost toka:	7 A
Izhodna moč:	84 W
Navor:	35 Nm
Pregled/certifikat:	<b>CE</b>



### ΠΡΟΕΙΔΟΠΟΙΗΣΗ!

- Αυτό το εγχειρίδιο οδηγιών θα πρέπει να το μελετήσετε και να το κατανοήσετε πριν από τη χρήση, τον καθαρισμό και τη συντήρηση.
- Η τοποθέτηση αυτού του προϊόντος πρέπει να γίνεται από ειδικό. Η λανθασμένη τοποθέτηση μπορεί να έχει ως αποτέλεσμα σοβαρούς τραυματισμούς. Οι μετατροπές στο προϊόν μπορεί να αποβούν ιδιαίτερα επικίνδυνες και να προκαλέσουν σοβαρούς τραυματισμούς και ζημιές στη συσκευή.
- Αυτό το εγχειρίδιο πρέπει να παραμείνει στο προϊόν. Ο ιδιοκτήτης πρέπει να το μελετήσει προσεκτικά.

## Περιεχόμενα

1	Υποδείξεις για τη χρήση του εγχειριδίου . . . . .	228
2	Υποδείξεις ασφαλείας . . . . .	228
3	Περιεχόμενα συσκευασίας . . . . .	231
4	Προαιρετικά εξαρτήματα . . . . .	231
5	Προβλεπόμενη χρήση . . . . .	232
6	Τεχνική περιγραφή. . . . .	232
7	Χειρισμός της τέντας . . . . .	233
8	Καθαρισμός και φροντίδα . . . . .	238
9	Αντιμετώπιση βλαβών . . . . .	241
10	Εγγύηση. . . . .	241
11	Απόρριψη. . . . .	242
12	Τεχνικά χαρακτηριστικά . . . . .	242

# 1 Υποδείξεις για τη χρήση του εγχειριδίου



## ΠΡΟΕΙΔΟΠΟΙΗΣΗ!

**Υπόδειξη ασφαλείας:** Η μη τήρηση μπορεί να έχει ως αποτέλεσμα θάνατο ή σοβαρούς τραυματισμούς.



## ΠΡΟΣΟΧΗ!

Η μη τήρηση μπορεί να έχει ως αποτέλεσμα ύλικές ζημιές και επιπτώσεις στη λειτουργία του προϊόντος.



## ΥΠΟΔΕΙΞΗ

Συμπληρωματικά στοιχεία για το χειρισμό του προϊόντος.

# 2 Υποδείξεις ασφαλείας

Τηρείτε τις προβλεπόμενες οδηγίες και προϋποθέσεις ασφαλείας, που καθορίζονται από τον κατασκευαστή του οχήματος και ισχύουν για τα συνεργεία αυτοκινήτων.

Στις παρακάτω περιπτώσεις ο κατασκευαστής δεν αναλαμβάνει καμία ευθύνη για ζημιές:

- Φθορές στο προϊόν από μηχανικές επιδράσεις και υπέρταση
- Μετατροπές στο προϊόν χωρίς τη ρητή άδεια του κατασκευαστή
- Χρήση για άλλους σκοπούς από ότι περιγράφεται στις οδηγίες

**Προσέχετε τις παρακάτω προειδοποιήσεις:**



## ΠΡΟΕΙΔΟΠΟΙΗΣΗ!

- Πριν ξεκινήσετε την οδήγηση, πρέπει να βεβαιώνετε ότι η τέντα έχει κλείσει εντελώς. Μην μετακινείτε ποτέ το όχημα με την τέντα ανοιγμένη.
- Μην οδηγείτε ποτέ με τημανιβέλα κρεμασμένη. Αφαιρείτε πάντα τημανιβέλα πριν ξεκινήσετε το όχημα.

- Μην οδηγείτε το όχημα εάν το πανί έχει πάθει ζημιές ή έχει σκιστεί, ακόμη και εάν η τέντα είναι κλεισμένη σωστά. Οι βραχιόνες της τέντας συγκρατούνται από το πανί. Εάν το πανί σκιστεί κατά τη διάρκεια της οδήγησης, η τέντα θα πεταχτεί ξαφνικά προς τα έξω. Αυτό μπορεί να έχει ως αποτέλεσμα σοβαρούς τραυματισμούς. Στερεώνετε την τέντα κατά τέτοιο τρόπο, ώστε να μην μπορεί να ανοίξει απότομα και απρόσμενα κατά την οδήγηση.
- **Μην** ανοίγετε την τέντα κατά τη διάρκεια της οδήγησης.
- **Μην** ανοίγετε την τέντα με ισχυρούς ανέμους ή χιονόπτωση.
- Όταν αναμένονται ισχυροί άνεμοι, δυνατή βροχή ή χιονόπτωση κλείνετε την τέντα.
- Προσέξτε να μη μαζευτεί νερό ή πάγος επάνω στο πανί. Διαφορετικά η τέντα μπορεί να υποστεί ζημιά ή να σπάσουν οι βραχιόνες της και να προκληθούν εξαιτίας αυτού σοβαροί ή θανατηφόροι τραυματισμοί.
- Μην πλησιάζετε την τέντα
  - εάν έμεινε ανοικτή, ενώ έπνεαν ισχυροί άνεμοι,
  - εάν επάνω της έχουν σχηματιστεί λιμνούλες νερού,
  - εάν επάνω της έχει συσσωρευτεί χιόνι,
  - εάν το πανί της τέντας παρουσιάζει έντονη ρύπανση.
 Σε τέτοια περίπτωση η τέντα μπορεί να μετακινηθεί απρόσμενα, να γίνει ασταθής και να στραβώσει ή να σπάσει.
- **Με προαιρετικό μοτέρ:** Εάν το καλώδιο σύνδεσης της τέντας έχει υποστεί ζημιά, πρέπει να αντικατασταθεί από ειδικευμένο τεχνικό.
- **Με προαιρετικό μοτέρ:** Πριν καθαρίσετε το όχημα στην περιοχή της τέντας ή την ίδια την τέντα, απενεργοποιήστε την ηλεκτρική τροφοδοσία από τον διακόπτη.
- Μην αφήνετε ανεπιτήρητη την τέντα, όταν είναι ανοιγμένη. Κλείνετε την τέντα, όταν φεύγετε από το χώρο στάθμευσης.
- Διατηρήστε απόσταση ασφαλείας από την τέντα, όταν χρησιμοποιείτε γκριλ ή ανοιχτή φωτιά. Το πανί μπορεί να υποστεί ζημιές από τη θερμότητα ή να πιάσει φωτιά.
- Αυτή η συσκευή μπορεί να χρησιμοποιηθεί από παιδιά ηλικίας 8 ετών και άνω καθώς και από άτομα με μειωμένες σωματικές, αισθητηριακές ή νοητικές ικανότητες ή έλλειψη εμπειρίας και γνώσης, υπό την προϋπόθεση ότι παρακολουθούνται ή έχουν διδαχθεί πώς να χρησιμοποιούν τη συσκευή με ασφάλεια και γνωρίζουν τους κινδύνους που προκύπτουν.

- **Με προαιρετικό μοτέρ: Οι ηλεκτρικές συσκευές δεν είναι παιχνίδια.**  
Το τηλεχειριστήριο πρέπει να φυλάσσεται μακριά από τα παιδιά. Μην αφήνετε τα παιδιά να παίζουν με το διακόπτη τοίχου (προαιρετικό εξάρτημα).
- Τα παιδιά πρέπει να επιτηρούνται, για να διασφαλίζεται ότι δεν παίζουν με τη συσκευή.



### ΠΡΟΣΟΧΗ!

- Παρκάρετε το αυτοκινούμενο ή συρόμενο τροχόσπιτο σε σημεία, στα οποία δεν είναι δυνατόν να πέσουν επάνω στο τεντόπανο ξένα σώματα (κλαδιά, φύλλα κλπ.).
- Το πανί της τέντας δεν επιτρέπεται να κρέμεται κάνοντας «κοιλιά» στα άκρα, αλλά πρέπει να παραμένει πάντοτε τεντωμένο. Εάν το πανί κρέμεται, μπορεί να τρίβεται επάνω στους βραχίονες και να φθαρεί.  
Σε μακριές τέντες το πανί δεν επιτρέπεται να κάνει «κοιλιά» στη μέση.
- Κλείνετε την τέντα μόνο εφόσον δεν υπάρχουν ξένα σώματα επάνω στο τεντόπανο (κλαδιά, φύλλα κλπ.). Διαφορετικά η τέντα μπορεί να υποστεί ζημιά κατά το κλείσιμο.
- Διατηρήστε την τέντα καθαρή από ξένα σώματα, ώστε να αποφεύγονται τα γδαρσίματα, οι λεκέδες και η μούχλα.
- Όταν η τέντα είναι υγρή, επιτρέπεται να κλείνεται μόνο για λόγους ασφαλείας. Ανοίξτε την και πάλι αμέσως το συντομότερο δυνατόν. Διαφορετικά μπορεί να σχηματιστούν σημεία μούχλας ή λεκέδες και το χρώμα μπορεί να ξεθωριάσει.
- Μην λυγίζετε ποτέ προς τα κάτω τους βραχίονες της τέντας ή το κάλυμμα, για να φύγει το νερό επάνω από την τέντα. Η τέντα μπορεί να στραβώσει και να μη λειτουργεί πλέον σωστά.
- Μην κρεμάτε αντικείμενα επάνω στην τέντα ή επάνω στο μπροστινό κάλυμμα και στους βραχίονες της τέντας.
- Μην χρησιμοποιείτε σπρέι (π.χ. εντομοκτόνα ή σπρέι μαλλιών) κοντά στην τέντα. Το πανί μπορεί να λερωθεί ή να προκληθεί απώλεια της υδροαπωθητικής του ιδιότητας.

- Εάν μετά από την τοποθέτηση της τέντας δεν υπάρχει επαρκής ελεύθερος χώρος επάνω από την πόρτα, η πόρτα θα πρέπει να παραμένει κλειστή κατά το άνοιγμα ή το κλείσιμο της τέντας, ώστε να αποτρέπεται η επαφή της πόρτας με τους βραχίονες ή την μπροστινή ράβδο.  
Ο απαιτούμενος ελεύθερος χώρος εξαρτάται από τον τύπο της πόρτας (πλάτος πόρτας, στρεφόμενη ή συρόμενη πόρτα) καθώς και από τη ρυθμισμένη γωνία κλίσης της τέντας.

### 3 Περιεχόμενα συσκευασίας

Ποσότητα	Όνομασία
1	Τέντα
1	Μανιβέλα (μόνο για τέντες χωρίς μοτέρ) Μανιβέλα έκτακτης ανάγκης (μόνο για τέντες με μοτέρ)
1	Τηλεχειριστήριο (μόνο για τέντες με μοτέρ)
4	Πασσαλάκι
1	Εγχειρίδιο χρήσης
1	Εγχειρίδιο τοποθέτησης

### 4 Προαιρετικά εξαρτήματα

Διαθέσιμος πρόσθετος εξοπλισμός (δεν περιλαμβάνονται στη συσκευασία):

#### Όνομασία

Σετ TieDown

Ιμάντες για τη στερέωση της τέντας στο έδαφος

Dometic Light LK120

Σετ φωτισμού LED με τηλεχειριστήριο για τοποθέτηση στους βραχίονες της τέντας

LED LightStrip

Λωρίδα φωτισμού LED διαθέσιμη σε διάφορα μήκη για τοποθέτηση στην κάτω πλευρά της τέντας

LED Profile

Φωτιστικό LED διαθέσιμο σε διάφορα μήκη για τοποθέτηση στην κάτω πλευρά των τεντών τοίχου

**Όνομασία**

Καθαριστικό τέντας

Ειδικό καθαριστικό τέντας

Σετ επισκευής

Μπάλωμα επισκευής τέντας

Διακόπτης τοίχου

## 5 Προβλεπόμενη χρήση

Η τέντα PerfectWall PW3800 είναι κατάλληλη για τοποθέτηση σε αυτοκινούμενα ή συρόμενα τροχόσπιτα.

Η τέντα επιτρέπεται να χρησιμοποιείται μόνο όσο το όχημα παραμένει σταθμευμένο.

## 6 Τεχνική περιγραφή

Οι τέντες PerfectWall PW3800 μπορούν να ανοίγουν και να κλείνουν με ένα μοτέρ 12 V, το οποίο ελέγχεται μέσω τηλεχειριστηρίου ή διακόπτη τοίχου (προαιρετικό εξάρτημα).

Οι τέντες PerfectWall PW3800 μπορούν επίσης να ανοιχτούν και να κλείσουν με μανιβέλα.

Η τέντα είναι αυτοφερόμενη. Τα ενσωματωμένα υποστηρίγματα μπορούν να τοποθετηθούν στο πλάι του οχήματος ή στο έδαφος, για να υποστηρίξουν το ύψος της μπροστινής ράβδου.

### Στοιχεία χειρισμού του τηλεχειριστηρίου (μόνο για τέντες με μοτέρ)

Θέση στο σχ. ?, σελίδα 3	Όνομασία
1	Κλείσιμο της τέντας
2	Στοπ
3	Άνοιγμα της τέντας
4	Ενεργοποίηση / απενεργοποίηση φωτισμού LED (προαιρετικό)



**Στοιχεία χειρισμού του διακόπτη τοίχου (προαιρετικό εξάρτημα)**

Θέση στο σχ. ?, σελίδα 3	Ονομασία
1	Κλείσιμο της τέντας
2	Στοπ
3	Άνοιγμα της τέντας
4	Ενεργοποίηση / απενεργοποίηση φωτισμού LED (προαιρετικό)

## 7 Χειρισμός της τέντας

Προσέξτε επίσης τις οδηγίες ασφαλείας στο κεφάλαιο «Υποδείξεις ασφαλείας» στη σελίδα 228.

### 7.1 Υποδείξεις για τη θέση του οχήματος

**ΠΡΟΕΙΔΟΠΟΙΗΣΗ! Κίνδυνος τραυματισμού.**

Διατηρήστε αρκετή απόσταση από αντικείμενα ή άλλα οχήματα. Η ανοιγμένη τέντα θα πρέπει να έχει ελάχιστη απόσταση 40 cm από άλλα αντικείμενα και οχήματα προς όλες τις πλευρές.

**ΠΡΟΣΟΧΗ!**

- Παρκάρετε το όχημα κατά τέτοιον τρόπο, ώστε πάνω στο τεντόπανο να μην μπορούν να πέσουν ξένα σώματα (κλαδιά, φύλλα κλπ.).
- Διατηρήστε την τέντα καθαρή από ξένα σώματα, ώστε να αποφεύγονται τα γδαρσίματα, οι λεκέδες και η μούχλα.

### 7.2 Άνοιγμα της τέντας

**Άνοιγμα της τέντας με μανιβέλα**

- Στερεώστε τη μανιβέλα στην υποδοχή της τέντας (σχ. **2**, σελίδα 3).
- Γυρίστε τη μανιβέλα, μέχρι να ανοίξει η τέντα στην επιθυμητή θέση (σχ. **3**, σελίδα 4).

- Γυρίστε τη μανιβέλα περίπου κατά ένα τέταρτο μιας περιστροφής προς τα πίσω, για να τεντωθεί το πανί.

**ΠΡΟΣΟΧΗ! Προσοχή στις ζημιές.**


Το πανί της τέντας δεν επιτρέπεται να κρέμεται κάνοντας «κοιλιά» στα άκρα, αλλά πρέπει να παραμένει πάντοτε τεντωμένο. Εάν το πανί κρέμεται, μπορεί να τρίβεται επάνω στους βραχίονες και να φθαρεί.

Σε μακριές τέντες το πανί δεν επιτρέπεται να κάνει «κοιλιά» στη μέση.

- Βγάλτε τη μανιβέλα από την υποδοχή της τέντας.

**Ανοιγμα της τέντας με μοτέρ (προαιρετικό)****ΥΠΟΔΕΙΞΗ****Μόνο για λειτουργία με το τηλεχειριστήριο:**

- Όταν το όχημα εκκινηθεί, η τέντα μαζεύεται αυτόματα. Όσο το όχημα λειτουργεί, η τέντα παραμένει ασφαλισμένη και δεν μπορεί να ανοίξει.
- Ο δέκτης ηχεί μία φορά, όταν είναι ενεργοποιημένη.
- Η λειτουργία του τηλεχειριστηρίου μπορεί να επηρεαστεί από παρεμβολές, εάν στο άμεσο περιβάλλον υπάρχει άλλη συσκευή, που χρησιμοποιεί την ίδια συχνότητα.
- Φυλάξτε το τηλεχειριστήριο σε ασφαλές μέρος κατά την οδήγηση. Ο μαγνήτης στη θήκη δεν είναι σχεδιασμένος για ισχυρούς κραδασμούς, όπως ξαφνικό φρενάρισμα.

- Πιέστε το πλήκτρο , μέχρι να ανοίξει η τέντα στην επιθυμητή θέση.

**ΠΡΟΣΟΧΗ! Προσοχή στις ζημιές.**

Το πανί της τέντας δεν επιτρέπεται να κρέμεται κάνοντας «κοιλιά» στα άκρα, αλλά πρέπει να παραμένει πάντοτε τεντωμένο. Εάν το πανί κρέμεται, μπορεί να τρίβεται επάνω στους βραχίονες και να φθαρεί.

Σε μακριές τέντες το πανί δεν επιτρέπεται να κάνει «κοιλιά» στη μέση.

## 7.3 Κλείσιμο της τέντας



### ΠΡΟΣΟΧΗ!


- Κλείνετε την τέντα μόνο εφόσον δεν υπάρχουν ξένα σώματα επάνω στο τεντόπανο (κλαδιά, φύλλα κλπ.). Διαφορετικά η τέντα μπορεί να υποστεί ζημιά κατά το κλείσιμο.
- Διατηρήστε την τέντα καθαρή από ξένα σώματα, ώστε να αποφεύγονται τα γδαρσίματα, οι λεκέδες και η μούχλα.
- Κατά το κλείσιμο της τέντας προσέχετε να μη μαγκώσουν κλαδιά ή άλλα αντικείμενα.
- Εάν κλείσετε την τέντα, ενώ είναι βρεγμένη, ανοίξτε την ξανά και αφήστε το ύφασμα να στεγνώσει με την πρώτη ευκαιρία. Εάν το πανί μείνει για μεγαλύτερο χρονικό διάστημα τυλιγμένο σε υγρή κατάσταση, θα δημιουργηθεί μούχλα και το ύφασμα μπορεί να ξεθωριάσει.

- Απομακρύνετε τα ξένα σώματα (κλαδιά, φύλλα κλπ.) επάνω από το τεντόπανο.

### Κλείσιμο της τέντας με μανιβέλα

- Στερεώστε το επάνω άκρο της μανιβέλας στην υποδοχή της τέντας.
- Γυρίστε τη μανιβέλα, μέχρι να κλείσει εντελώς η τέντα.
- Πριν ξεκινήσετε, βεβαιωθείτε ότι η τέντα έχει κλείσει εντελώς. Η μπροστινή ράβδος πρέπει να εφαρμόζει καλά επάνω στο περίβλημα.
- Βγάλτε τη μανιβέλα από την υποδοχή της τέντας.

### Κλείσιμο της τέντας με μοτέρ (προαιρετικό)

- Πιέστε το πλήκτρο , μέχρι να κλείσει εντελώς η τέντα.
- Πριν ξεκινήσετε, βεβαιωθείτε ότι η τέντα έχει κλείσει εντελώς. Η μπροστινή ράβδος πρέπει να εφαρμόζει καλά επάνω στο περίβλημα.

## 7.4 Ρύθμιση της γωνίας κλίσης



### ΥΠΟΔΕΙΞΗ

Κατά την τοποθέτηση των υποστηριγμάτων, η γωνία κλίσης μπορεί να μειωθεί, βλ. κεφάλαιο «Τοποθέτηση των υποστηριγμάτων» στη σελίδα 236.

- Ρυθμίστε το παξιμάδι, μέχρι να ρυθμιστεί η τέντα στην επιθυμητή γωνία κλίσης (σχ. **4** 1, σελίδα 4).

## 7.5 Τοποθέτηση των υποστηριγμάτων

### Στερέωση των υποστηριγμάτων

- Συμπιέστε εντελώς το δεξιό υποστήριγμα στο μπροστινό κάλυμμα, για να μπορέσετε να το κινήσετε ελεύθερα (σχ. **5**, σελίδα 5).
- Περιστρέψτε το δεξιό υποστήριγμα στο πλάι (σχ. **5**, σελίδα 5).
- Περιστρέψτε το δεξιό υποστήριγμα προς τα κάτω και στηρίξτε το στο έδαφος (σχ. **6**, σελίδα 5).
- Ρυθμίστε το υποστήριγμα στο επιθυμητό ύψος (σχ. **7**, σελίδα 6).
- Περιστρέψτε το μοχλό του υποστηρίγματος προς τα επάνω, για να σταθεροποιήσετε το υποστήριγμα (σχ. **8**, σελίδα 6).
- Ανοίξτε και το άλλο υποστήριγμα με τον ίδιο τρόπο.

### Τοποθέτηση των υποστηριγμάτων στο έδαφος



### ΠΡΟΕΙΔΟΠΟΙΗΣΗ! Κίνδυνος τραυματισμού

- Τα υποστηρίγματα πρέπει να στηρίζονται μόνο επάνω σε σταθερό έδαφος.
- Σταθεροποιήστε τα υποστηρίγματα, ώστε να μην μπορούν να γλιστρήσουν.

- Τοποθετήστε τα υποστηρίγματα κατακόρυφα, κάτω από την μπροστινή ράβδο.
- Σταθεροποιήστε τα υποστηρίγματα με πασσαλάκια (σχ. **9**, σελίδα 6).
- Ρυθμίστε το ένα υποστήριγμα λίγο πιο χαμηλά, ώστε η μπροστινή ράβδος να έχει ελαφριά κλίση. Έτσι θα μπορεί να φεύγει καλύτερα η βροχή (σχ. **10**, σελίδα 7).

## Στερέωση των υποστηριγμάτων στο όχημα

Μπορείτε να στερεώσετε την τέντα απευθείας επάνω στο όχημα, εάν έχετε τοποθετήσει τις ασφάλειες για τα υποστηρίγματα.

- Σπρώξτε το κάλυμμα της ασφάλειας προς τα επάνω (σχ. **11**, σελίδα 7).
- Περάστε τα υποστηρίγματα στην ασφάλεια (σχ. **11**, σελίδα 7).
- Σπρώξτε το κάλυμμα της ασφάλειας προς τα κάτω (σχ. **11**, σελίδα 7).
- Ρυθμίστε το ένα υποστήριγμα λίγο πιο χαμηλά, ώστε η μπροστινή ράβδος να έχει ελαφριά κλίση. Έτσι θα μπορεί να φεύγει καλύτερα η βροχή (σχ. **12**, σελίδα 7).

## Κλείσιμο των υποστηριγμάτων

- Λύστε τα υποστηρίγματα από τα εξαρτήματα στερέωσης (πασσαλάκια ή ασφάλειες στο όχημα).
- Περιστρέψτε το μοχλό του δεξιού υποστηρίγματος προς τα κάτω, για να λασκάρετε το υποστήριγμα.
- Συμπιέστε εντελώς το υποστήριγμα.
- Αναδιπλώστε το δεξιό υποστήριγμα προς τα επάνω.
- Περιστρέψτε το δεξιό υποστήριγμα μέσα στην μπροστινή ράβδο.
- Σπρώξτε το κάτω τμήμα του δεξιού υποστηρίγματος μέσα στην ασφάλεια της μπροστινής ράβδου.
- Κλείστε και το άλλο υποστήριγμα με τον ίδιο τρόπο.

## 7.6 Ρύθμιση του μοτέρ (προαιρετικό)



### ΥΠΟΔΕΙΞΗ

Το μοτέρ 12 V είναι τοποθετημένο εκ των προτέρων στον άξονα του τεντόπανου.

- Εάν η τέντα δεν μπορεί πλέον να κλείσει ή να ανοίξει εντελώς, ρυθμίστε το μοτέρ 12 V (σχ. **15**, σελίδα 8).

## 7.7 Αντικατάσταση των μπαταριών του τηλεχειριστηρίου και του διακόπτη τοίχου (πρόσθετο εξάρτημα) (προαιρετικό)



### ΥΠΟΔΕΙΞΗ

Εάν η λυχνία LED του τηλεχειριστηρίου **δεν** ανάβει αφού έχετε πατήσει ένα από τα πλήκτρα, η μπαταρία του τηλεχειριστηρίου είναι άδεια.

- Ανοίξτε το περίβλημα (σχ. **16** 1, σελίδα 8).
- Βγάλτε την παλιά μπαταρία από τη θήκη της.
- Τοποθετήστε μια καινούργια μπαταρία (τύπου CR2450 για το τηλεχειριστήριο, τύπου CR2430 για τον διακόπτη τοίχου, σχ. **16** 2, σελίδα 8) στη θήκη με το θετικό ακροδέκτη στραμμένο προς τα επάνω.
- Κλείστε το τηλεχειριστήριο ή τον διακόπτη τοίχου.



### Προστατέψτε το περιβάλλον!

Οι παλιές μπαταρίες δεν επιτρέπεται να πετιούνται στα σκουπίδια του σπιτιού!

Τις χαλασμένες και τις άδειες μπαταρίες πρέπει να τις παραδίδετε πίσω στα κατάλληλα σημεία συλλογής.

## 8 Καθαρισμός και φροντίδα

### 8.1 Καθαρισμός



#### ΠΡΟΣΟΧΗ! Προσοχή στις ζημιές.

- Μην καθαρίζετε **ποτέ** την τέντα με συσκευή καθαρισμού υψηλής πίεσης.
  - Μη χρησιμοποιείτε για τον καθαρισμό τριβικά καθαριστικά μέσα ή σκληρά αντικείμενα, διότι μπορεί να προκαλέσουν ζημιά στο προϊόν.
- Αφαιρέστε τα ξένα σώματα (κλαδιά, φύλλα κλπ.) επάνω από το τεντόπανο, για να αποτραπούν τυχόν γδαρσίματα και λεκέδες καθώς και η δημιουργία μούχλας. Έτσι αποφεύγεται επίσης η πιθανότητα να προκληθούν ζημιές στην τέντα κατά το κλείσιμο.

- ▶ Καθαρίζετε το τεντόπανο τακτικά για να φεύγουν οι σκόνες και οι ρύποι:
  - Για το σκοπό αυτό χρησιμοποιήστε 30 ml απορρυπαντικό και 30 ml λευκαντικό σε 10 λίτρα νερό.
  - Σαπουνίστε με αυτό το διάλυμα το πανί και αφήστε το υγρό καθαρισμού να επιδράσει για πέντε λεπτά.
  - Ξεπλύνετε καλά με καθαρό νερό.
 Βεβαιωθείτε ότι έχει ξεπλυθεί τελείως το υγρό καθαρισμού με το λευκαντικό. Διαφορετικά το τεντόπανο μπορεί να υποστεί ζημιά.
  - Αφήστε το τεντόπανο να στεγνώσει.



### ΥΠΟΔΕΙΞΗ

Ο κατασκευαστής συνιστά:

Για τον καθαρισμό του τεντόπανου χρησιμοποιείτε το καθαριστικό τεντών Dometic (κωδικός 9600000165, διατίθεται από τον επίσημο συνεργάτη της περιοχής σας).

## 8.2 Λίπανση

- ▶ Εάν απαιτείται, λιπάνετε τις αρθρώσεις της τέντας με κερί παραφίνης, λάδι τεφλόν ή λάδι σιλικόνης.

## 8.3 Έλεγχος



### ΠΡΟΕΙΔΟΠΟΙΗΣΗ!

Μη χρησιμοποιείτε την τέντα, εάν απαιτούνται ρυθμίσεις ή επισκευές.

Εάν διαπιστώσετε ζημιές, απευθυνθείτε σε έναν επίσημο συνεργάτη στη χώρα σας (για τις διευθύνσεις, βλ. πίσω πλευρά του εγχειριδίου).

- ▶ Ελέγχετε την τέντα τακτικά για τυχόν φθορά και κακή κατανομή φορτίου καθώς και για ζημιές σε σημαντικά εξαρτήματα.
- ▶ Ελέγχετε τακτικά την τέντα:
  - Είναι το πανί σε άριστη κατάσταση;
  - Είναι οι βραχίονες και η μπροστινή ράβδος σε άριστη κατάσταση ή παρουσιάζουν σημάδια φθοράς;
  - Κλείνει σωστά η τέντα;

## 8.4 Επανασύσφιξη των βιδών στην άρθρωση ώμου

Μετά από τις πρώτες καταπονήσεις, θα πρέπει να επανασφιχθούν οι βίδες στην άρθρωση ώμου:

- Μετά από τις πρώτες διακοπές, στις οποίες χρησιμοποιήσατε την τέντα για πρώτη φορά
- Μετά από οδήγηση 20.000 km ή έξι μήνες μετά από την τοποθέτηση της τέντας (όποιο συμβεί πρώτο)

Επιπρόσθετα, οι βίδες στην άρθρωση ώμου πρέπει να ελέγχονται κατά την τακτική επιθεώρηση του οχήματος.

Για την επανασύσφιξη των βιδών, απευθυνθείτε στον επίσημο συνεργάτη της περιοχής σας.

### Οδηγίες για το σέρβις (σχ. ==, σελίδα 8)



#### ΠΡΟΣΟΧΗ!

Οι βραχίονες της τέντας δεν πρέπει να φέρουν φορτίο. Αυτό είναι απαραίτητο, για να μην επηρεαστεί η ροπή σύσφιξης των βιδών.

- Ανυψώστε ελαφρώς την μπροστινή ράβδο, ώστε να μην φέρουν φορτίο οι αρθρώσεις.
- Ξανασφίξτε τις βίδες με ροπή 15 – 25 Nm.

## 8.5 Μπάλωμα μικρών τρυπών στο πανί

Τις μικρές τρύπες στο πανί ή τα σημεία, στα οποία έχει αρχίσει να αποκολλάται η επίστρωση, μπορείτε να τα μπαλώσετε μόνοι σας:

- Με ένα βαμβακερό πανί επαλείψτε γύρω από το σημείο που έχει υποστεί ζημιά μια μικρή ποσότητα υγρής κόλλας βινυλίου (κωδικός 9103104018, διατίθεται από τον επίσημο συνεργάτη της περιοχής σας).
- ✓ Η υγρή κόλλα βινυλίου επιδρά αποσυνθετικά στην επίστρωση. Όταν στεγνώνει, η επίστρωση κλείνει την τρύπα.
- Πριν κλείσετε την τέντα περιμένετε να στεγνώσει εντελώς το συγκεκριμένο σημείο του πανιού.



## 9 Αντιμετώπιση βλαβών



### ΥΠΟΔΕΙΞΗ

Εάν δεν μπορείτε να διορθώσετε τις βλάβες με τη βοήθεια του ακόλουθου πίνακα, απευθυνθείτε σε έναν επίσημο συνεργάτη στη χώρα σας (για τις διευθύνσεις, βλ. πίσω πλευρά του εγχειριδίου).

Βλάβη	Πιθανή αιτία	Προτεινόμενη λύση
Το μοτέρ δεν αντιδρά στις εντολές από το τηλεχειριστήριο.	Οι μπαταρίες του τηλεχειριστηρίου είναι άδειες.	Πιέστε σύντομα ένα από τα πλήκτρα $\triangle$ ή $\nabla$ . Εάν το LED του τηλεχειριστηρίου δεν ανάψει, η μπαταρία είναι άδεια. Αντικαταστήστε την μπαταρία, βλ. κεφάλαιο «Αντικατάσταση των μπαταριών του τηλεχειριστηρίου και του διακόπτη τοίχου (πρόσθετο εξάρτημα) (προαιρετικό)» στη σελίδα 238.
	Το τηλεχειριστήριο δεν είναι πλέον ρυθμισμένο ή δεν είναι σωστά ρυθμισμένο ως προς τον κινητήρα.	Επαναπρογραμματίστε το τηλεχειριστήριο, ανατρέξτε στο εγχειρίδιο τοποθέτησης.
	Δεν υπάρχει τάση τροφοδοσίας	Ελέγξτε τις ηλεκτρικές συνδέσεις.
	Το μοτέρ είναι ελαττωματικό.	Κλείστε την τέντα χειροκίνητα και επικοινωνήστε με έναν επίσημο συνεργάτη στην χώρα σας.

## 10 Εγγύηση

Ισχύει η νόμιμη διάρκεια εγγύησης. Εάν το προϊόν έχει ελαττώματα, απευθυνθείτε στο κατάστημα που το αγοράσατε ή στην αντιπροσωπεία του κατασκευαστή στη χώρα σας (διευθύνσεις βλέπε στην πίσω πλευρά των οδηγιών).

Για την επεξεργασία της επισκευής ή αντίστοιχα της εγγύησης απαιτούνται τα εξής έγγραφα:

- Ένα αντίγραφο της απόδειξης αγοράς με την ημερομηνία αγοράς,
- το λόγο για την υποβολή των παραπόνων ή μια περιγραφή του σφάλματος.

## 11 Απόρριψη


- Αν είναι εφικτό να απορρίψετε τα υλικά συσκευασίας στους αντίστοιχους κάδους ανακύκλωσης.



Εάν η συσκευή τεθεί οριστικά εκτός λειτουργίας, ενημερωθείτε στο κοντινότερο κέντρο ανακύκλωσης ή στα ειδικά καταστήματα για τους σχετικούς κανονισμούς απόρριψης.

## 12 Τεχνικά χαρακτηριστικά

	PerfectWall PW3800				
Πλάτος:	4 m	4,5 m	5 m	5,5 m	6 m
Ανοιγμένη:	2,7 m				
Βάρος:	43 kg	46 kg	49 kg	53 kg	57 kg

	Μοτέρ 12 V
Ηλεκτρική τάση σύνδεσης:	12 V <sub>DC</sub> (11 – 15 V)
Ένταση ρεύματος:	7 A
Ισχύς εξόδου:	84 W
Ροπή:	35 Nm
Έλεγχος/πιστοποίηση:	



**GERMANY****Dometic WAECO International GmbH**

Hollefeldstraße 63 · D-48282 Emsdetten  
 ☎ +49 (0) 2572 879-0 · 📠 +49 (0) 2572 879-300  
 Mail: info@dometic-waeco.de

**dometic.com****AUSTRALIA****Dometic Australia Pty. Ltd.**

1 John Duncan Court  
 Varsity Lakes QLD 4227  
 ☎ 1800 212121  
 ☎ +61 7 55076001  
 Mail: sales@dometic.com.au

**AUSTRIA****Dometic Austria GmbH**

Neudorferstraße 108  
 A-2353 Guntramsdorf  
 ☎ +43 2236 908070  
 📠 +43 2236 90807060  
 Mail: info@dometic.at

**BENELUX****Dometic Branch Office Belgium**

Lourdesstraat 84  
 B-8940 Geluwe  
 ☎ +32 2 3598040  
 📠 +32 2 3598050  
 Mail: info@dometic.be

**BRAZIL****Dometic DO Brasil LTDA**

Avenida Paulista 1754, conj. 111  
 SP 01310-920 Sao Paulo  
 ☎ +55 11 3251 3352  
 📠 +55 11 3251 3362  
 Mail: info@dometic.com.br

**DENMARK****Dometic Denmark A/S**

Nordensvej 15, Taulov  
 DK-7000 Fredericia  
 ☎ +45 75585966  
 📠 +45 75586307  
 Mail: info@dometic.dk

**FINLAND****Dometic Finland OY**

Mestariitie 4  
 FIN-01730 Vantaa  
 ☎ +358 20 7413220  
 📠 +358 9 7593700  
 Mail: info@dometic.fi

**FRANCE****Dometic SAS**

ZA du Pré de la Dame Jeanne  
 B.P. 5  
 F-60128 Plailly  
 ☎ +33 3 44633525  
 📠 +33 3 44633518  
 Mail: vechiculesdeloisirs@dometic.fr

**HONG KONG****Dometic Group Asia Pacific**

Suites 2207-11 / 22/F - Tower 1  
 The Gateway - 25 Canton Road,  
 Tsim Sha Tsui - Kowloon  
 ☎ +852 2 4611386  
 📠 +852 2 4665553  
 Mail: info@waeco.com.hk

**HUNGARY****Dometic Zrt. Sales Office**

Kerékgyártó u. 5.  
 H-1147 Budapest  
 ☎ +36 1 468 4400  
 📠 +36 1 468 4401  
 Mail: budapest@dometic.hu

**ITALY****Dometic Italy S.r.l.**

Via Virgilio, 3  
 I-47122 Forlì (FC)  
 ☎ +39 0543 754901  
 📠 +39 0543 754983  
 Mail: vendite@dometic.it

**JAPAN****Dometic KK**

Maekawa-Shibaura, Bldg. 2  
 2-13-9 Shibaura Minato-ku  
 Tokyo 108-0023  
 ☎ +81 3 5445 3333  
 📠 +81 3 5445 3339  
 Mail: info@dometic.jp

**MEXICO****Dometic Mx, S. de R. L. de C. V.**

Circuito Médicos No. 6 Local 1  
 Colonia Ciudad Satélite  
 CP 53100 Naucalpan de Juárez  
 Estado de México  
 ☎ +52 55 5374 4108  
 📠 +52 55 5393 4683  
 Mail: info@dometic.com.mx

**NETHERLANDS****Dometic Benelux B.V.**

Ecustraat 3  
 NL-4879 NP Etten-Leur  
 ☎ +31 76 5029000  
 📠 +31 76 5029019  
 Mail: info@dometic.nl

**NEW ZEALAND****Dometic New Zealand Ltd.**

PO Box 12011  
 Penrose  
 Auckland 1642  
 ☎ +64 9 622 1490  
 📠 +64 9 622 1573  
 Mail: customerservices@dometic.co.nz

**NORWAY****Dometic Norway AS**

Østerøyveien 46  
 N-3232 Sandefjord  
 ☎ +47 33428450  
 📠 +47 33428459  
 Mail: firmapost@dometic.no

**POLAND****Dometic Poland Sp. z o.o.**

Ul. Puławska 435A  
 PL-02-801 Warszawa  
 ☎ +48 22 414 3200  
 📠 +48 22 414 3201  
 Mail: info@dometic.pl

**PORTUGAL****Dometic Spain, S.L.**

Branch Office em Portugal  
 Rot. de São Gonçalo nº 1 – Esc. 12  
 2775-399 Carcavelos  
 ☎ +351 219 244 173  
 📠 +351 219 243 206  
 Mail: info@dometic.pt

**RUSSIA****Dometic RUS LLC**

Komsomolskaya square 6-1  
 RU-107140 Moscow  
 ☎ +7 495 780 79 39  
 📠 +7 495 916 56 53  
 Mail: info@dometic.ru

**SINGAPORE****Dometic Pte Ltd**

18 Boon Lay Way  
 06-141 Trade Hub 21  
 Singapore 609966  
 ☎ +65 6795 3177  
 📠 +65 6862 6620  
 Mail: dometic@dometic.com.sg

**SLOVAKIA****Dometic Slovakia s.r.o.**

Sales Office Bratislava  
 Nádražná 34/A  
 900 28 Ivánka pri Dunaji  
 ☎/📠 +421 2 45 529 680  
 Mail: bratislava@dometic.com

**SOUTH AFRICA****Dometic (Pty) Ltd.**

Regional Office  
 South Africa & Sub-Saharan Africa  
 2 Avalon Road  
 West Lake View Ext 11  
 Modderfontein 1645  
 Johannesburg  
 ☎ +27 87 3530380  
 Mail: info@dometic.co.za

**SPAIN****Dometic Spain S.L.**

Avda. Sierra del Guadarrama, 16  
 E-28691 Villanueva de la Cañada  
 Madrid  
 ☎ +34 91 833 60 89  
 📠 +34 900 100 245  
 Mail: info@dometic.es

**SWEDEN****Dometic Scandinavia AB**

Gustaf Melins gata 7  
 SE-42131 Västra Frölunda  
 ☎ +46 31 7341100  
 📠 +46 31 7341101  
 Mail: info@dometicgroup.se

**SWITZERLAND****Dometic Switzerland AG**

Riedackerstrasse 7a  
 CH-8153 Römliang  
 ☎ +41 44 8187171  
 📠 +41 44 8187191  
 Mail: info@dometic.ch

**UNITED ARAB EMIRATES****Dometic Middle East FZCO**

P. O. Box 17860  
 S-D 6, Jebel Ali Freezone  
 Dubai  
 ☎ +971 4 883 3858  
 📠 +971 4 883 3868  
 Mail: info@dometic.ae

**UNITED KINGDOM****Dometic UK Ltd.**

Dometic House, The Brewery  
 Blandford St. Mary  
 Dorset DT11 9LS  
 ☎ +44 344 626 0133  
 📠 +44 344 626 0143  
 Mail: customerservices@dometic.co.uk

**USA****Dometic RV Division**

1120 North Main Street  
 Elkhart, IN 46515  
 ☎ +1 574-264-2131